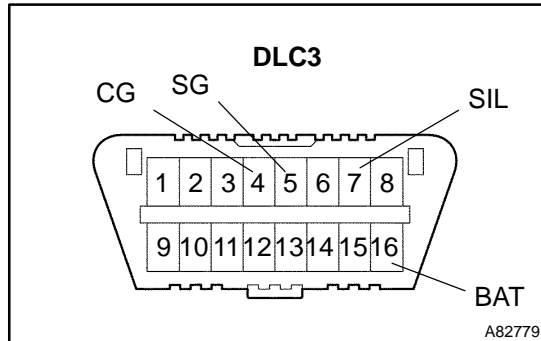


DIAGNOSIS SYSTEM

1. DESCRIPTION

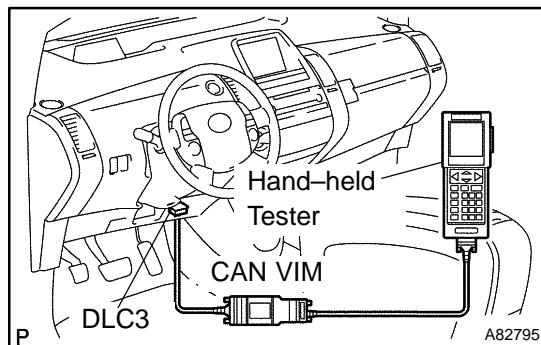
The gateway ECU controls the function of the multiplex communication system on the vehicle. Data of the multiplex communication system and the Diagnostic Trouble Code (DTC) can be read in the Data Link Connector 3 (DLC3) of the vehicle.



2. CHECK DLC3

The vehicle's ECU uses the ISO 15765–4 for communication protocol. The terminal arrangement of the DLC3 complies with ISO 15031–03 and matches the ISO 15765–4 format.

Symbol	Terminal No.	Name	Reference terminal	Result	Condition
SIL	7	Bus "+" line	5 – Signal ground	Pulse generation	During transmission
CG	4	Chassis ground	Body ground	1 Ω or less	Always
SG	5	Signal ground	Body ground	1 Ω or less	Always
BAT	16	Battery positive	Body ground	9 to 14 V	Always



HINT:

Connect the cable of the hand-held tester (with CAN VIN) to the DLC3, turn the power switch ON (IG) and attempt to use the tester. If the screen displays **UNABLE TO CONNECT TO VEHICLE**, a problem exists in the vehicle side or the tester side. If communication is normal when the hand-held tester is connected to another vehicle, inspect the DLC3 on the original vehicle.

If communication is still impossible when the tester is connected to another vehicle, the problem is probably in the tester itself. Consult the Service Department listed in the tester's instruction manual.

3. INSPECT BATTERY VOLTAGE

Standard: 11 to 14 V

If voltage is below 11 V, recharge the battery before proceeding.