

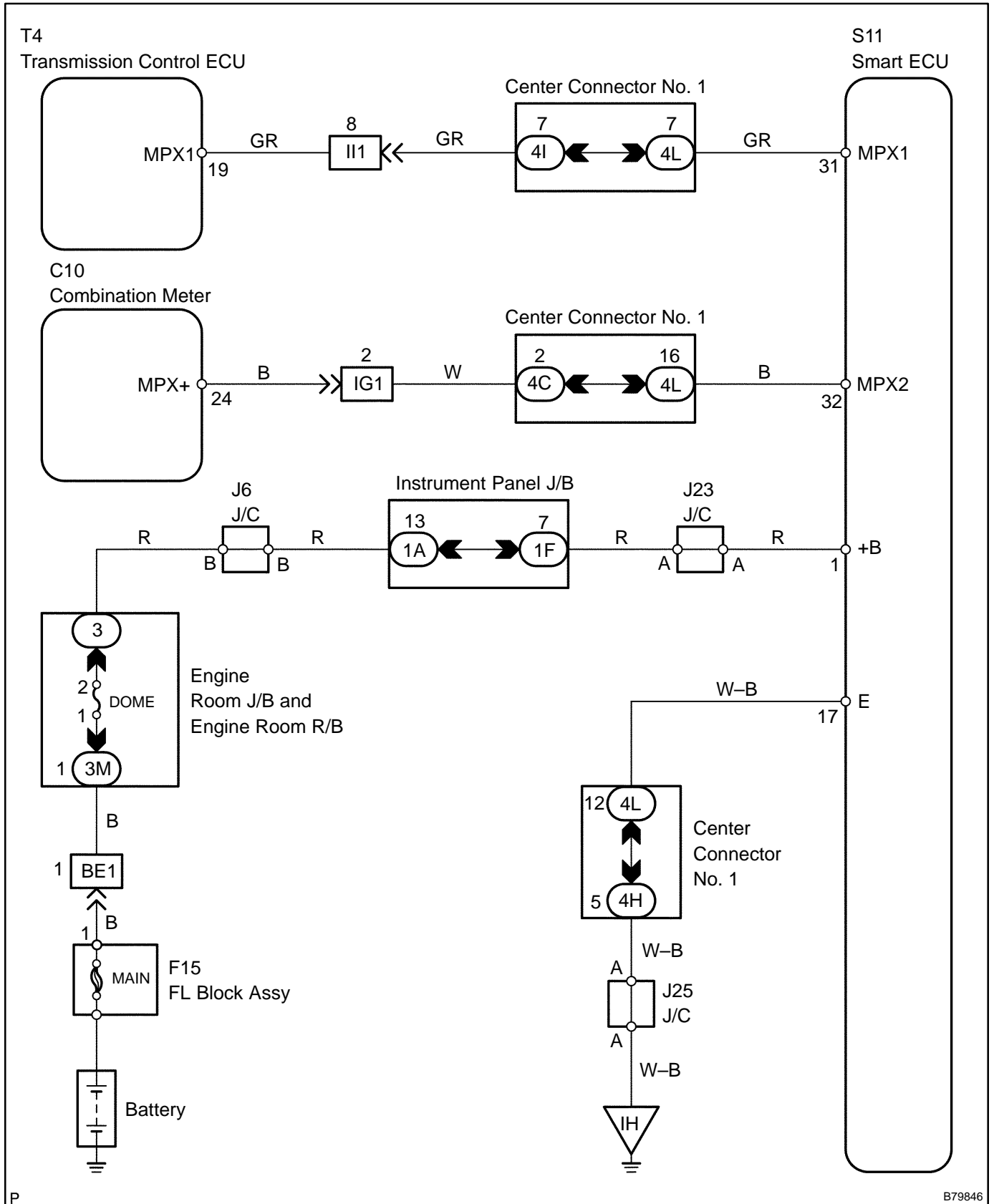
DTC	B1207	SMART ECU COMMUNICATION STOP
------------	--------------	-------------------------------------

CIRCUIT DESCRIPTION

This DTC is detected when communication between the smart ECU and gateway ECU stops for more than 10 seconds.

DTC No.	DTC Detection Condition	Trouble Area
B1207	Smart ECU communication stops	<ul style="list-style-type: none"> • Smart ECU • Wire harness

WIRING DIAGRAM



P

B79846

INSPECTION PROCEDURE

1 CHECK OPERATION

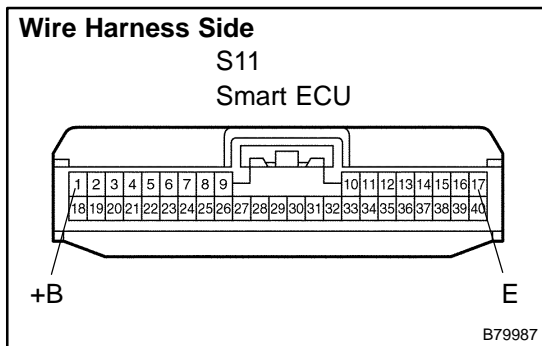
- (a) With the smart key in your possession, push the lock button on the door outside handle (smart door lock operation). Check that the smart indicator illuminates or starts blinking.
 With the smart key in your possession, touch the inside of the door outside handle (smart door unlock operation). Check that the smart indicator illuminates or starts blinking.

OK: Smart indicator illuminates or starts blinking.

NG → Go to step 3

OK

2 CHECK WIRE HARNESS (SMART ECU – BODY GROUND)



- (a) Disconnect the S11 ECU connector.
 (b) Measure the resistance and voltage of the wire harness side connector.

Standard:

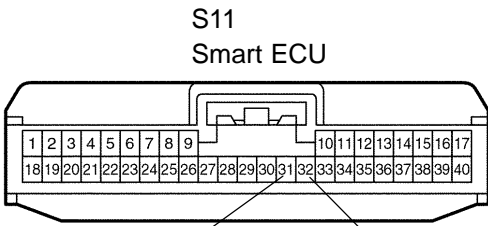
Tester Connection	Specified Condition
S11-1 (+B) – Body ground	10 to 14 V
S11-17 (E) – Body ground	Below 1 Ω

NG → REPAIR OR REPLACE HARNESS AND CONNECTOR

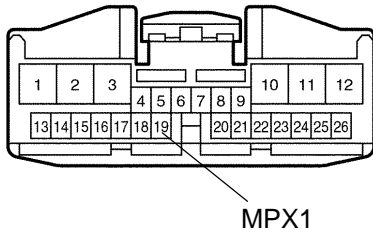
OK

3 CHECK RESISTANCE OF COMMUNICATION LINE

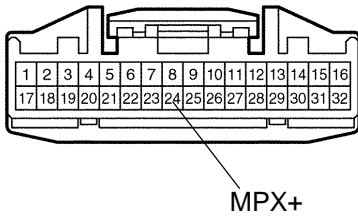
Wire Harness Side



T4
Transmission Control ECU



C10
Combination Meter



P B79848

- (a) Disconnect the S11 and T4 ECU connectors.
- (b) Disconnect the C10 meter connector.
- (c) Measure the resistance of the wire harness side connectors.

Standard:

Tester Connection	Specified Condition
S11-31 (MPX1) - T4-19 (MPX1)	Below 1 Ω
S11-32 (MPX2) - C10-24 (MPX+)	Below 1 Ω

Result:

Result	Proceed To
Both are OK	A
One is OK	B
Both are NG	C

B → REPLACE SMART ECU AND REPAIR OR REPLACE HARNESS AND CONNECTOR

C → REPAIR OR REPLACE HARNESS AND CONNECTOR

A

REPLACE SMART ECU