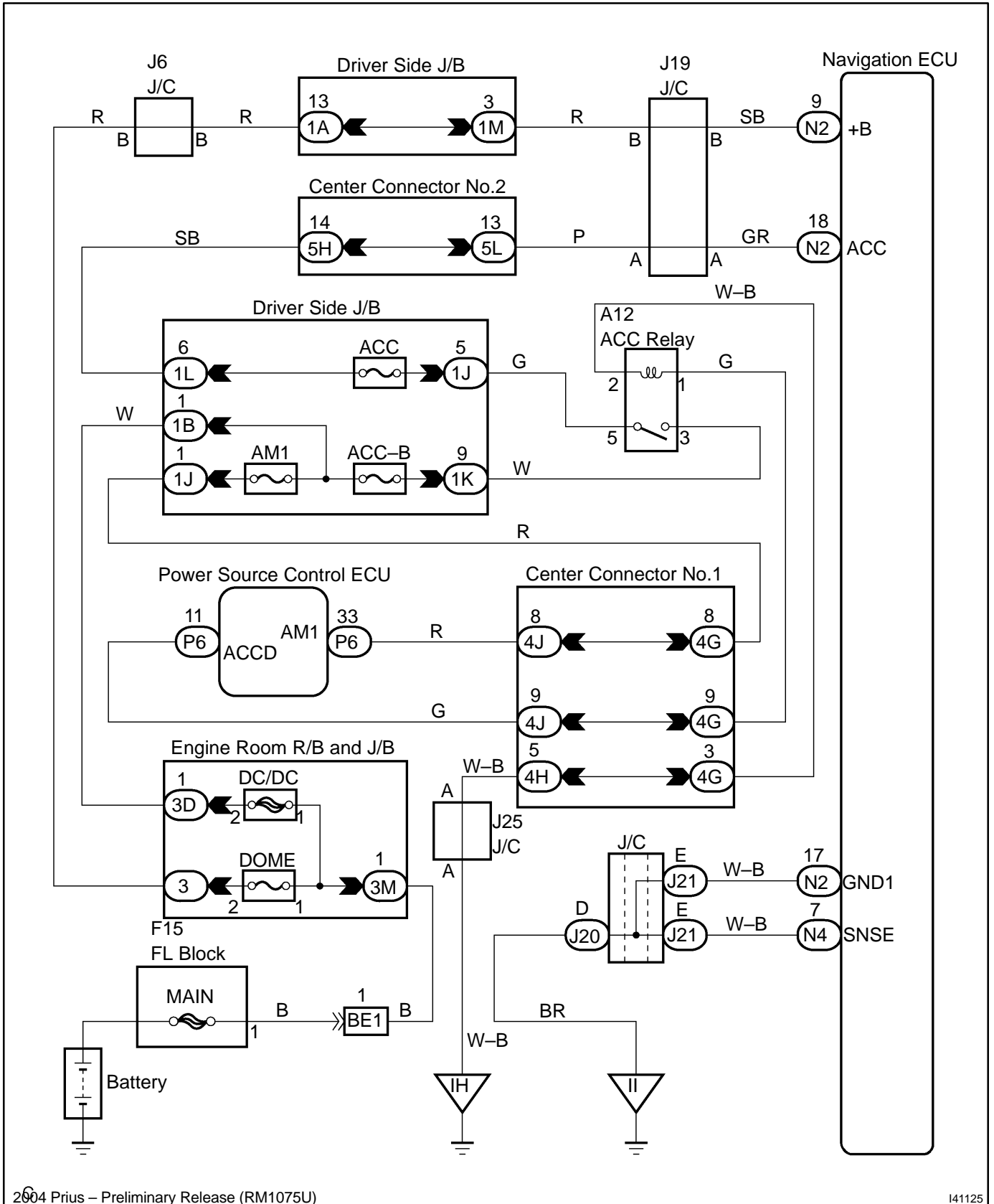


POWER SOURCE CIRCUIT (NAVIGATION ECU)

CIRCUIT DESCRIPTION

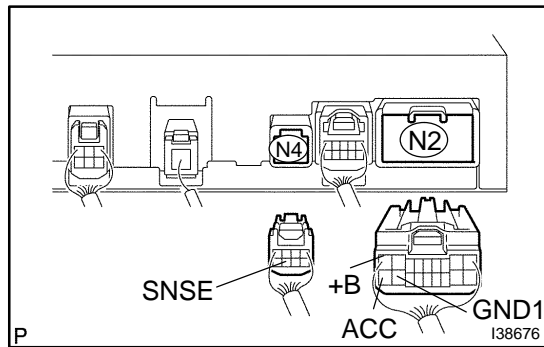
This circuit provides the power to the navigation ECU.

WIRING DIAGRAM



INSPECTION PROCEDURE

1 INSPECT NAVIGATION ECU(+B, ACC, GND1, SNSE)



- (a) Disconnect the navigation ECU connector N2, N4.
- (b) Measure the resistance according to the value(s) in the table below.

Standard:

Tester connection	Condition	Specified condition
GND1 – Body ground	Always	Below 1 Ω
SNSE – Body ground	Always	Below 1 Ω

- (c) Measure the voltage according to the value(s) in the table below.

Standard:

Tester connection	Condition	Specified condition
+B – GND1	Always	10 to 14 V
ACC – GND1	Power switch ON (ACC)	10 to 14 V

NG → **REPAIR OR REPLACE HARNESS OR CONNECTOR**

OK

PROCEED TO NEXT CIRCUIT INSPECTION SHOWN IN PROBLEM SYMPTOMS TABLE OR DIAGNOSTIC TROUBLE CODE CHART (SEE PAGE 05-1873 or 05-1888)