

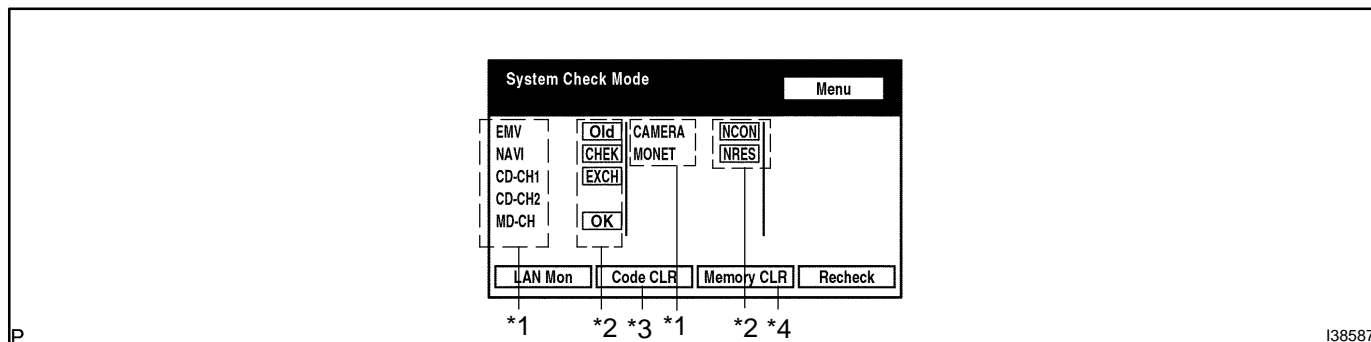
DIAGNOSIS DISPLAY DETAILED DESCRIPTION

HINT:

- This section contains a detailed description of displays within diagnostic mode.
- Illustrations may differ from the actual vehicle depending on the device settings and options. Therefore, some detailed areas may not be shown exactly the same as on the actual vehicle.

1. System Check

(a) System Check Mode Display



Device Names and hardware Address/*1

HINT:

- Registered device names are displayed below.
- If a device name is unknown to the system, its physical address is shown instead.

Address No.	Name	Address No.	Name
110	EMV	120	AVX
128	1DIN TV	140	AVN
144	G-BOOK	178	NAVI
17C	MONET	190	AUDIO H/U
1AC	CAMERA-C	1B0	Rr-TV
1C0	Rr-CONT	1C2	TV-TUNER2
1C4	PANEL	1C6	G/W
1C8	FM-M-LCD	1D8	CONT-SW
1EC	Body	1F0	RADIO TUNER
1F1	XM	1F2	SIRIUS
230	TV-TUNER	240	CD-CH2
250	DVD-CH	280	CAMERA
360	CD-CH1	3A0	MD-CH
17D	TEL	440	DSP-AMP
530	ETC	5C8	MAYDAY
1A0	DVD-P	1C6	CLOCK
1F4	RSA	1F6	RSE
480	AMP	-	-

Check Result/*2

HINT:

Result codes for all devices are shown below.

Result	Meaning	Action
OK	The device did not respond with a DTC (excluding communication DTCs from the AVC-LAN).	–
EXCH	The device responds with a "replace"-type DTC.	Look up the DTC in "Unit Check Mode" and replace the device.
CHEK	The device responds with a "check"-type DTC.	Look up the DTC in "Unit Check Mode".
NCON	The device was previously present, but does not respond in diagnostic mode.	1. Check power supply wire harness of the device. 2. Check the AVC-LAN of the device.
Old	The device responds with an "old"-type DTC.	Look up the DTC in "Unit Check Mode".
NRES	The device responds in diagnostic mode, but gives no DTC information.	1. Check power supply wire harness of the device. 2. Check the AVC-LAN of the device.

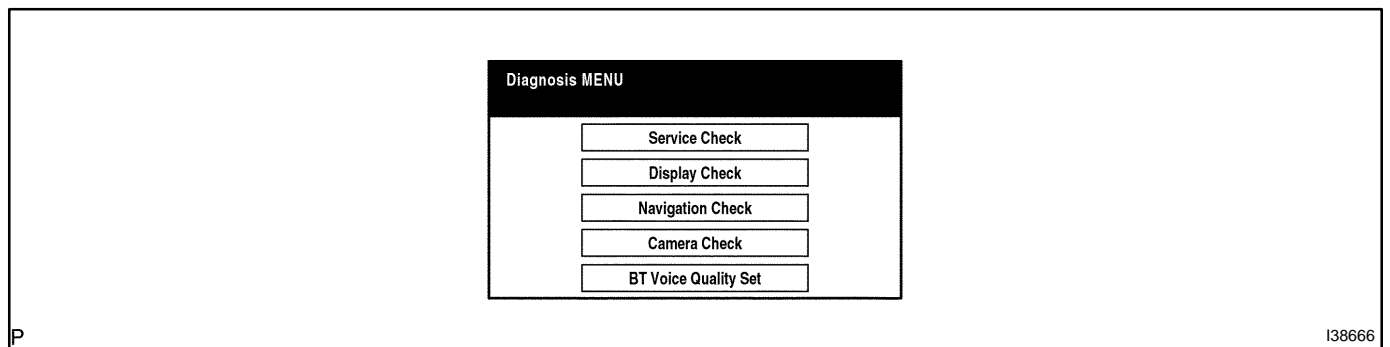
Code Clear/*3

Present DTCs are cleared.

Memory Clear/*4

Present and past DTCs and registered connected device names are cleared.

(b) Diagnosis MENU Display



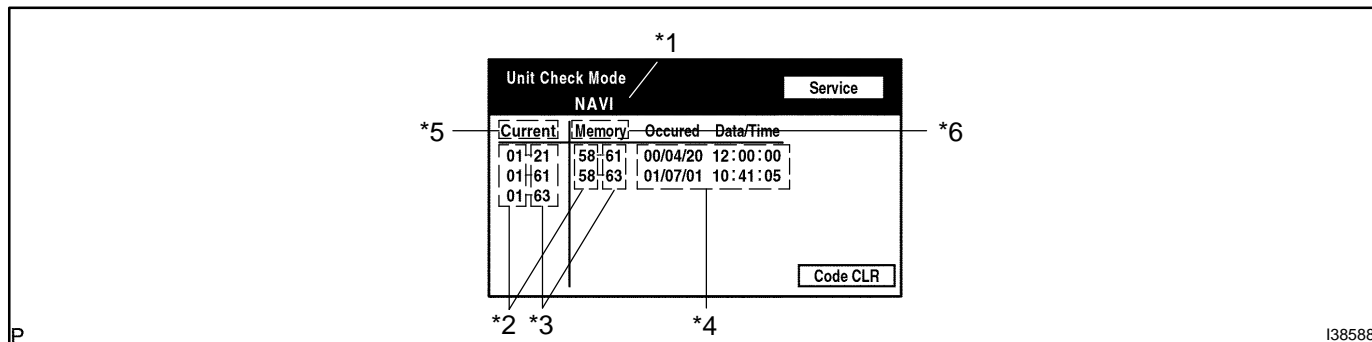
HINT:

Each item is grayed out or not displayed based on the device settings.

P

I38666

(c) Unit Check Mode Screen

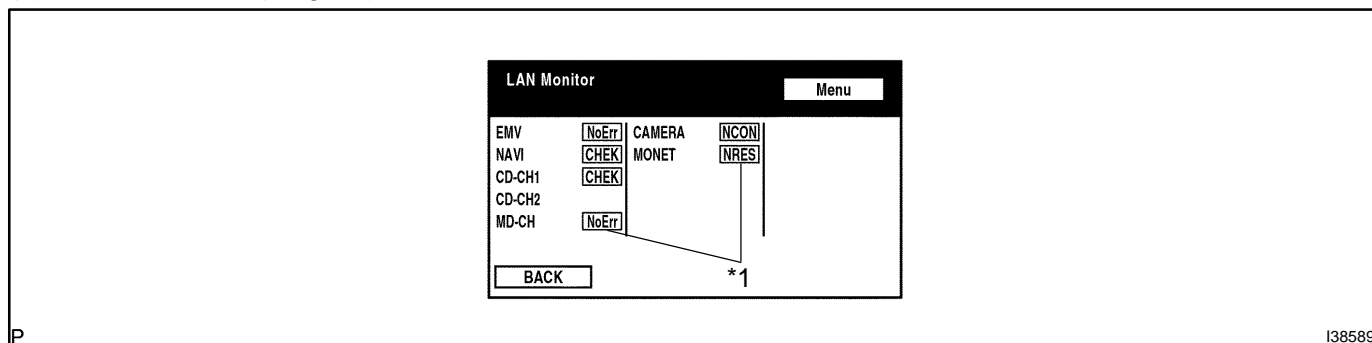


I38588

Screen Description

Display	Contents
Device name/*1	Target Device
Segment/*2	Target Device Logical address
DTC/*3	DTC (Diagnostic Trouble Code)
Timestamp/*4	The time and date of past DTCs displayed. (The year is displayed in 2 digit format.)
Present Code/*5	The DTC output at the service check is displayed.
Past Code/*6	Diagnostic memory results and recorded DTCs are displayed.

(d) LAN Monitor (Original) Screen



I38589

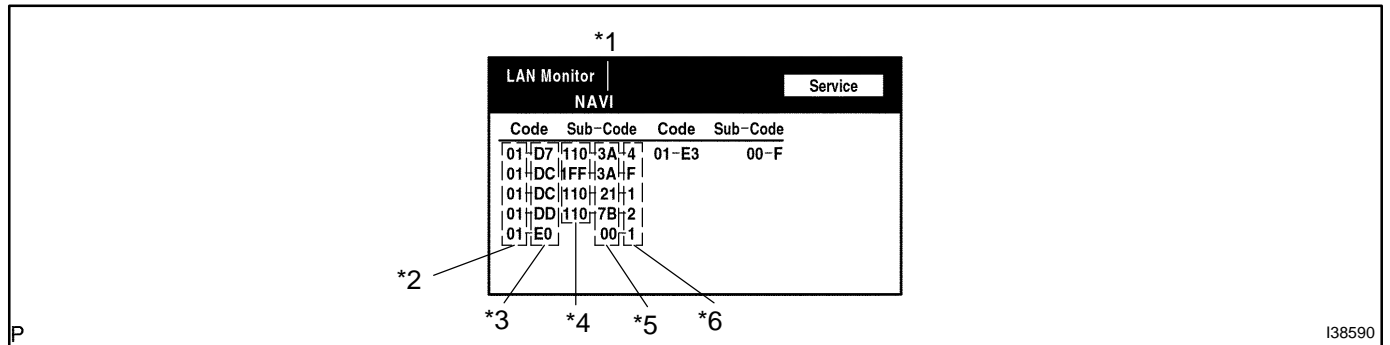
Check result

HINT:

Check results of all the devices are displayed.

Result	Meaning	Action
No Err (OK)	There are no communication DTCs.	–
CHEK	The device responds with a "check"-type DTC.	Look up the DTC in "Unit Check Mode".
NCON	The device was previously present, but does not respond in diagnostic mode.	1. Check power supply wire harness of the device. 2. Check the AVC-LAN of the device.
Old	The device responded with an old-type DTC.	Look up the DTC in "Unit Check Mode".
NRES	Device responds in diagnostic mode, but gives no DTC information.	1. Check power supply wire harness of the device. 2. Check the AVC-LAN of the device.

(e) LAN Monitor (Individual) Screen

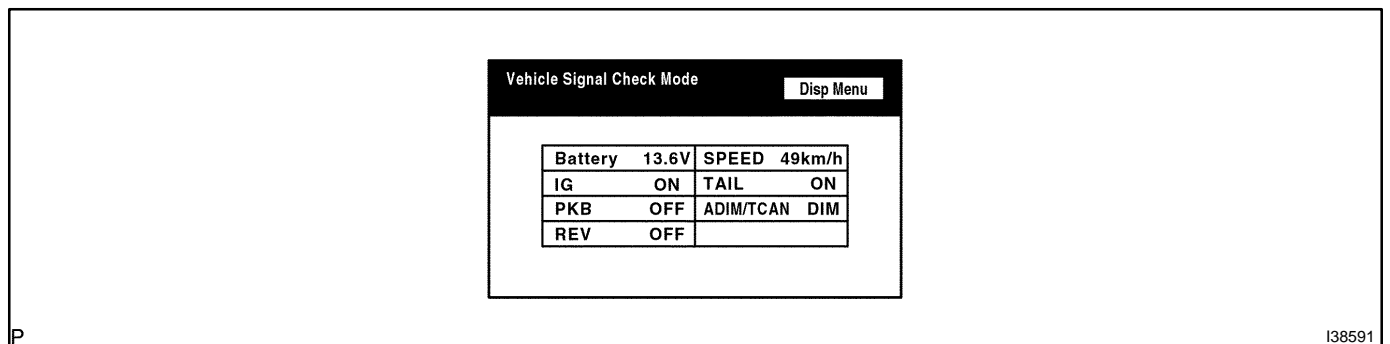


Screen Description

Display	Contents
Device name/*1	Target device
Segment/*2	Target logical address
DTC/*3	DTC (Diagnostic Trouble Code)
Sub-Code (device address)/*4	Physical address stored with DTC. (If there is no address, nothing is displayed.)
Connection check No./*5	Connection check number stored with DTC.
DTC occurrence/*6	Number of times the same DTC has been recorded.

2. DISPLAY CHECK

(a) Vehicle Signal Check Mode Screen



Screen Description

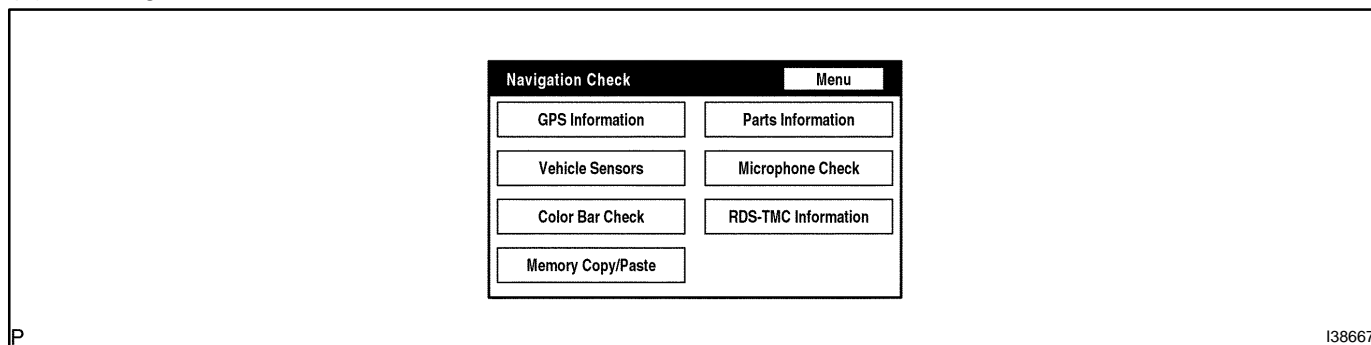
Name	Contents
Battery	Battery voltage is displayed.
PKB	Parking brake ON/OFF state is displayed.
REV	Reverse signal ON/OFF state is displayed.
IG	Power switch ON/OFF state is displayed.
ADIM/TCAN	Brightness state DIM (with)/ BRIGHT (without) is displayed.
SPEED	The vehicle speed, displayed in km/h.
TAIL	TAIL signal (Head lamp dimmer switch) ON/OFF state is displayed.

HINT:

- Only items sending a vehicle signal will be displayed.
- This screen is updated once per second when input signals to the vehicle are changed.

3. NAVIGATION CHECK

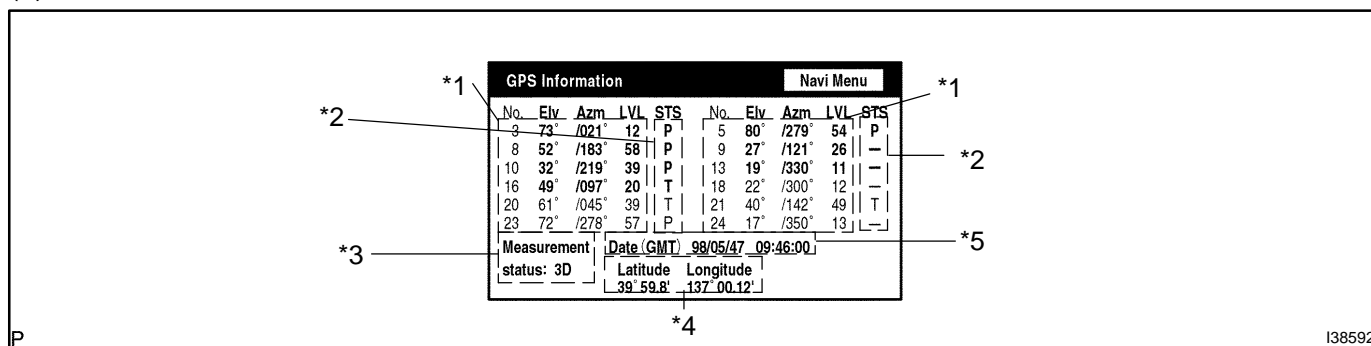
(a) Navigation Check MENU Screen



HINT:

Each item is grayed out or not displayed based on the device settings.

(b) GPS information Screen



Satellite information/*1

Information from a maximum of 12 satellites is displayed on the screen. This information includes the target GPS satellite number, elevation angle, direction and signal level.

Receiving condition/*2

(DENSO model)

Display	Contents
T	The system is receiving a GPS signal, but is not using it for location.
P	The system is using the GPS signal for location.
-	The system cannot receive a GPS signal.

(AISIN AW Model)

Display	Contents
01H	The system cannot receive a GPS signal.
02H	The system is tracing a satellite.
03H	The system is receiving a GPS signal, but is not using it for location.
04H	The system is using the GPS signal for location.

Measurement information/*3

Display	Contents
2D	2-dimensional location method is being used.
3D	3-dimensional location method is being used.
NG	Location data cannot be used.
Error	Reception error has occurred.
-	Any other state.

Position information/*4

Display	Contents
Position	Latitude and longitude information on the current position is displayed.

Date information/*5

Display	Contents
Date	The date/time information obtained from GPS signal is displayed in Greenwich mean time (GMT). The last 4 digits are displayed.

(c) Vehicle Signal Check Screen

The screenshot shows a 'Vehicle Sensors' screen with a 'Navi Menu' button. It displays the following information:

- Vehicle Signal**: REV : OFF (callout *1)
- SPD**: Pulse Count : 9999 Pulses (callout *2)
- Speed**: : 75 mph (callout *2)
- Speed**: : 180 km/h (callout *2)
- Sensor Signal**: Gyro Voltage : 2.500 V (callout *3)
- Sensor Signal**: Relative bearing : 359.9 degrees (callout *3)

A 'Reset' button is located at the bottom of the screen. The letter 'P' is in the bottom left corner, and 'I38593' is in the bottom right corner.

Vehicle signal

Display	Contents
REV/*1	REV signal ON/OFF state is displayed.
SPD/*2	SPD signal condition is displayed.

Sensor signal

Display	Contents
Gyro sensor/*3	Gyro sensor output condition is displayed (when the vehicle runs straight or is stationary, the voltage is approximately 2.5 V).

HINT:

Signals are updated once per second only when vehicle sensor signals are changed.

(d) Parts Information Screen

The screenshot shows a 'Parts Information' screen with a 'Navi Menu' button. It displays the following information:

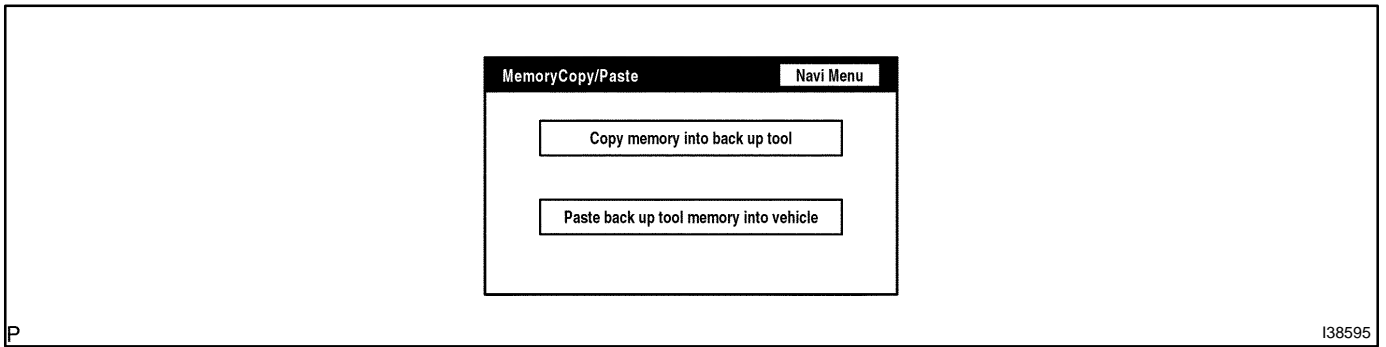
- Navi Information**: ***** (callout *1)
- Navi Information**: ***** (callout *2)
- Disc Information**: ***** (callout *3)
- Disc Information**: V aa. bb.cc (callout *4)

The letter 'P' is in the bottom left corner, and 'I38594' is in the bottom right corner.

Screen description

Display	Contents
Navigation Manufacturer/*1	Navigation ECU manufacturer is displayed.
Navigation Version No./*2	Navigation ECU version is displayed.
Disc Manufacturer/*3	Map disc manufacturer is displayed.
Disc Version No./*4	Map disc version is displayed.

(e) Memory Copy/Paste Screen



HINT:
This function cannot be used.