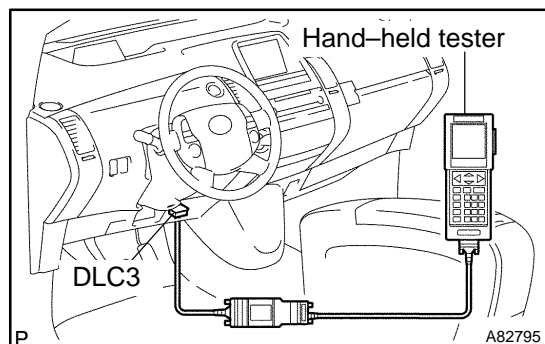


DTC CHECK/CLEAR



1. DTC CHECK USING HAND-HELD TESTER

- (a) Hook up the hand-held tester to the DLC3.
- (b) Power switch ON (ready).
- (c) Read the DTC following the prompts on the tester screen. Please refer to the intelligent tester II operator's manual for further details.
- (d) Clear the DTCs.

HINT:

After repairing the malfunctions, clear the DTC.

- (1) Connect the hand-held tester to DLC3.
- (2) Turn the ignition switch to the ON position.
- (3) Erase the DTCs following the prompts on the tester screen.

HINT:

Refer to the hand-held tester operator's manual for further details.