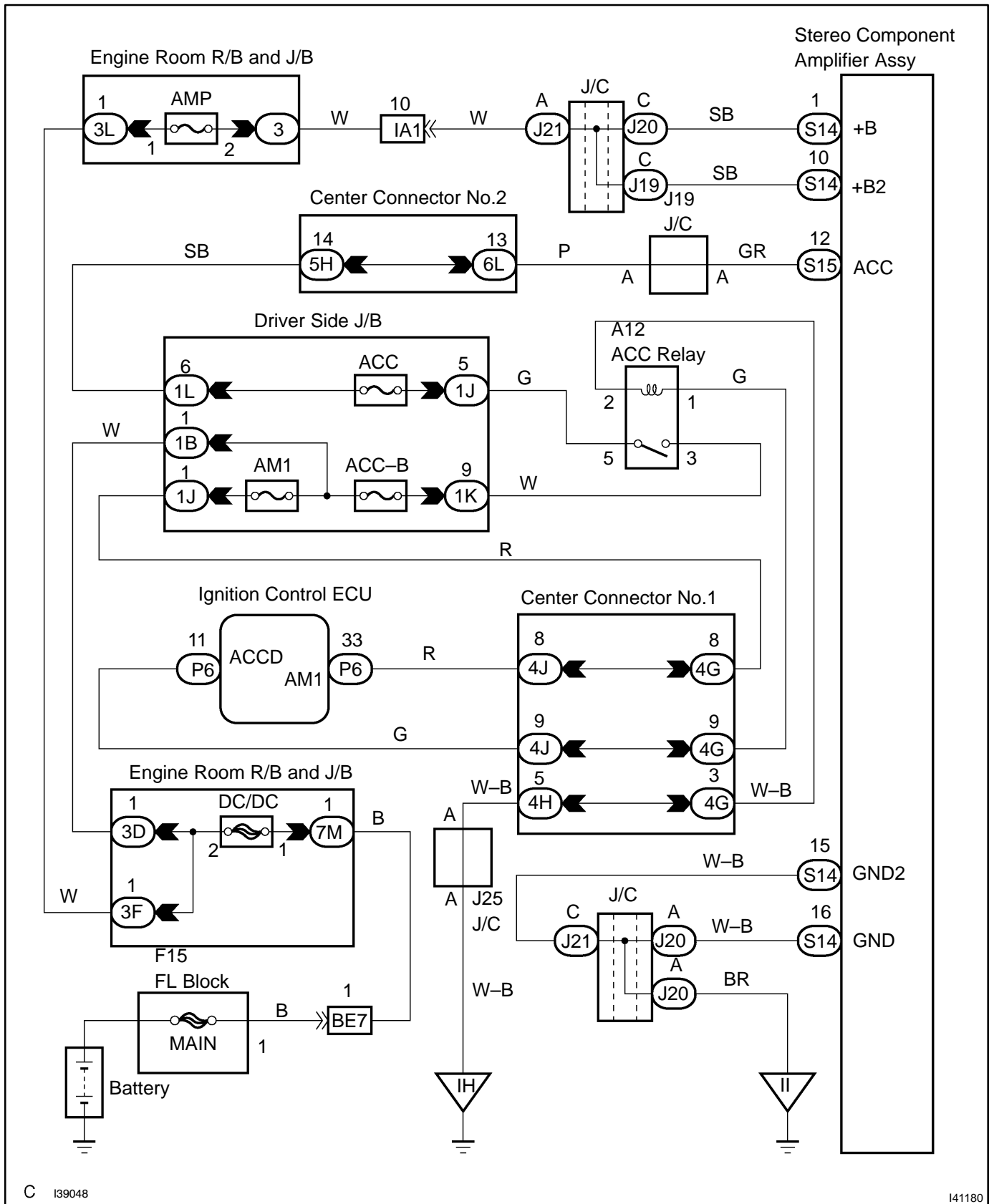


POWER SOURCE CIRCUIT (STEREO COMPONENT AMPLIFIER ASSY)

CIRCUIT DESCRIPTION

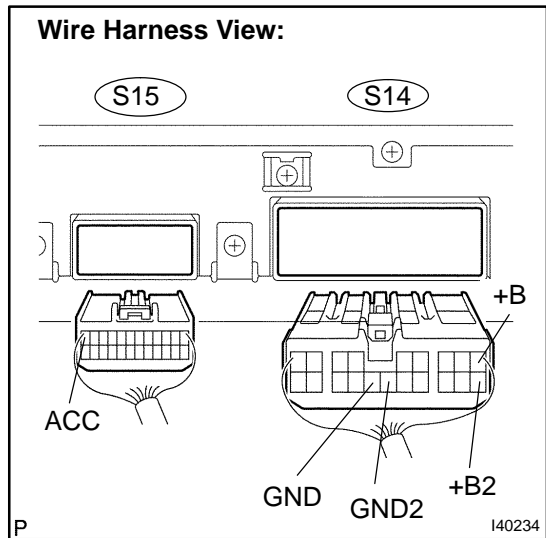
This circuit provides power to the stereo component amplifier assy.

WIRING DIAGRAM



INSPECTION PROCEDURE

1 INSPECT STEREO COMPONENT AMPLIFIER ASSY



- (a) Disconnect the stereo component amplifier assy S14 connector.
- (b) Measure the resistance according to the values in the table below.

Standard:

Tester connection	Condition	Specified condition
GND (S14-16) – Body ground	Always	Below 1 Ω
GND2 (S14-15) – Body ground	Always	Below 1 Ω

- (c) Disconnect the stereo component amplifier assy S15 connector.
- (d) Measure the voltage according to the values in the table below.

Standard:

Tester connection	Condition	Specified condition
+B (S14-1) – GND (S14-16)	Always	10 to 14 V
+B2 (S14-10) – GND (S14-16)	Always	10 to 14 V
ACC (S15-12) – GND (S15-16)	Power switch ON (ACC)	10 to 14 V

NG REPAIR OR REPLACE HARNESS OR CONNECTOR (STEREO COMPONENT AMPLIFIER ASSY – BATTERY OR BODY GROUND)

OK

PROCEED TO NEXT CIRCUIT INSPECTION SHOWN IN PROBLEM SYMPTOMS TABLE OR DIAGNOSTIC TROUBLE CODE CHART (SEE PAGE 05-1778, 05-1785)