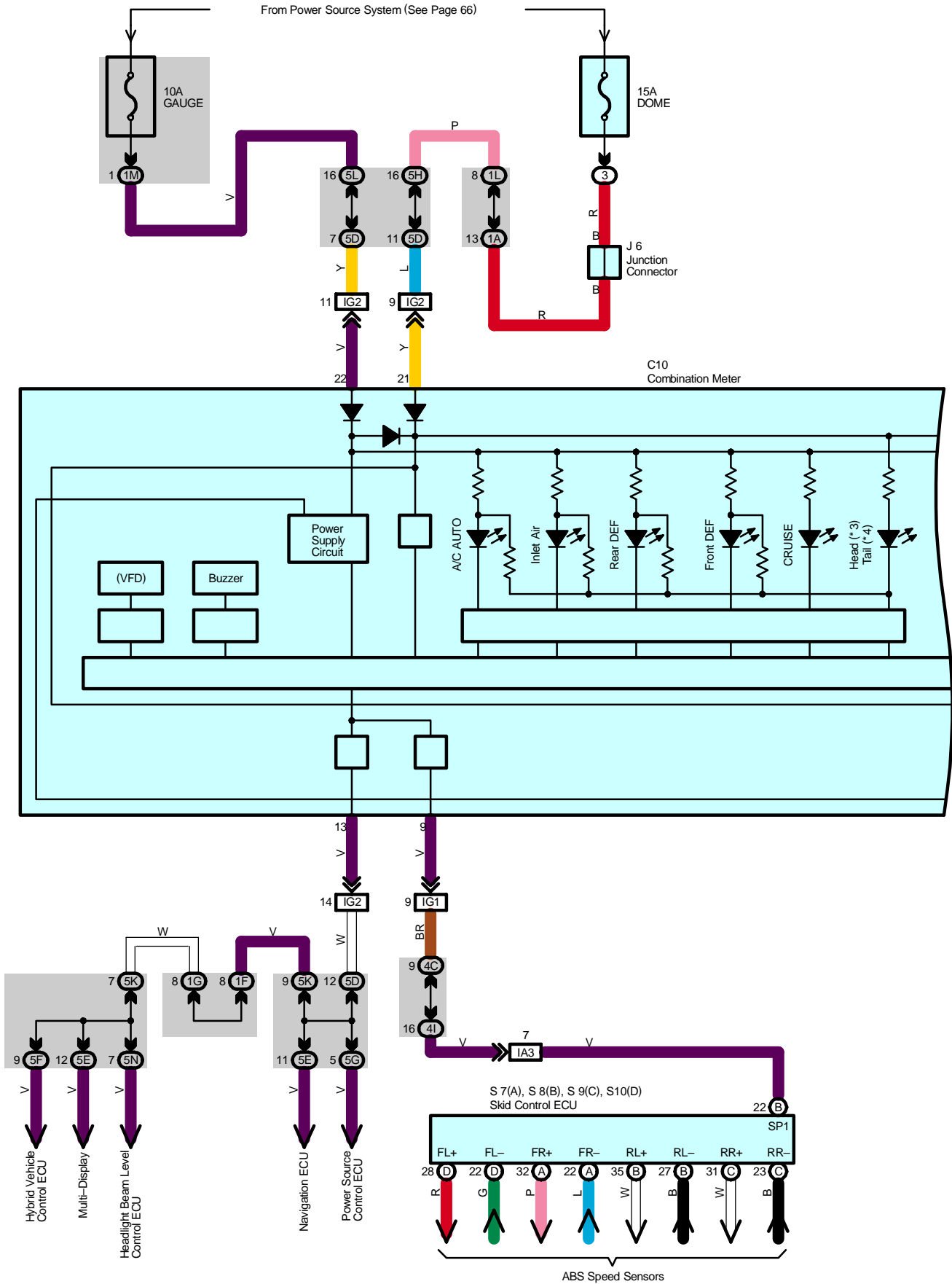
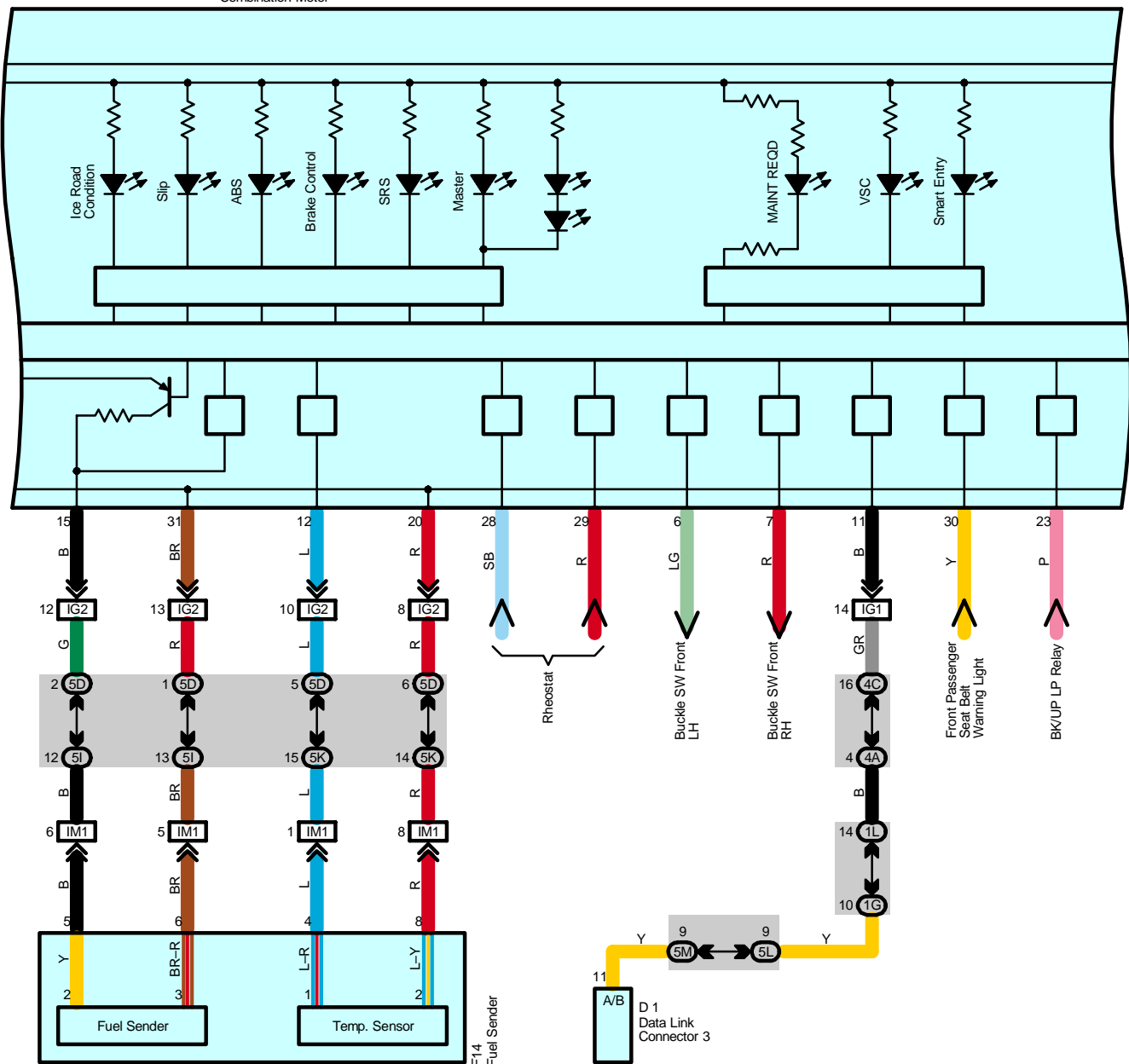


Combination Meter



* 3 : USA
 * 4 : Canada

C10
 Combination Meter



Combination Meter

Service Hints

C10 Combination Meter

22–Ground : Approx. 12 volts with the power SW at IG ON position

21–Ground : Always approx. 12 volts

14–Ground : Always continuity

○ : Parts Location

Code	See Page	Code	See Page	Code	See Page
A6	44	G1	47	S7	A 49
A8	46	H11	47	S8	B 49
B5	A 46	H14	47	S9	C 49
C10	47	J6	48	S10	D 49
D1	47	J17	48	S11	49
E4	A 47	J18	48	T4	49
E6	C 47	J25	48	T5	49
E7	D 47	M13	48		
F14	51	P6	49		

○ : Relay Blocks

Code	See Page	Relay Blocks (Relay Block Location)
3	22	Engine Room R/B (Engine Compartment Left)

○ : Junction Block and Wire Harness Connector

Code	See Page	Junction Block and Wire Harness (Connector Location)
1A	28	Engine Room Main Wire and Driver Side J/B (Lower Finish Panel)
1F	28	Instrument Panel Wire and Driver Side J/B (Lower Finish Panel)
1G		
1L		
1M		
4A		
4C		
4D		
4F		
4G		
4H		
4I		
4L		
5C	40	Instrument Panel Wire and Center Connector No.2 (Instrument Panel Brace RH)
5D		
5E		
5F		
5G		
5H		
5I		
5J		
5K		
5L		
5M		
5N		

 : Connector Joining Wire Harness and Wire Harness

Code	See Page	Joining Wire Harness and Wire Harness (Connector Location)
EB1	54	Engine Wire and Engine Room Main Wire (Inside of the Engine Room R/B)
IA3	56	Engine Room Main Wire and Instrument Panel Wire (Upper Parts of Front Body Pillar LH)
IG1	58	Instrument Panel Wire and Instrument Panel No.2 Wire (Behind the Combination Meter)
IG2		
II1	58	Engine Wire and Instrument Panel Wire (Behind the Glove Box)
IM1	58	Instrument Panel Wire and Floor No.2 Wire (Right Kick Panel)

 : Ground Points

Code	See Page	Ground Points Location
IH	56	Cowl Side Panel LH
II	56	Instrument Panel Brace LH