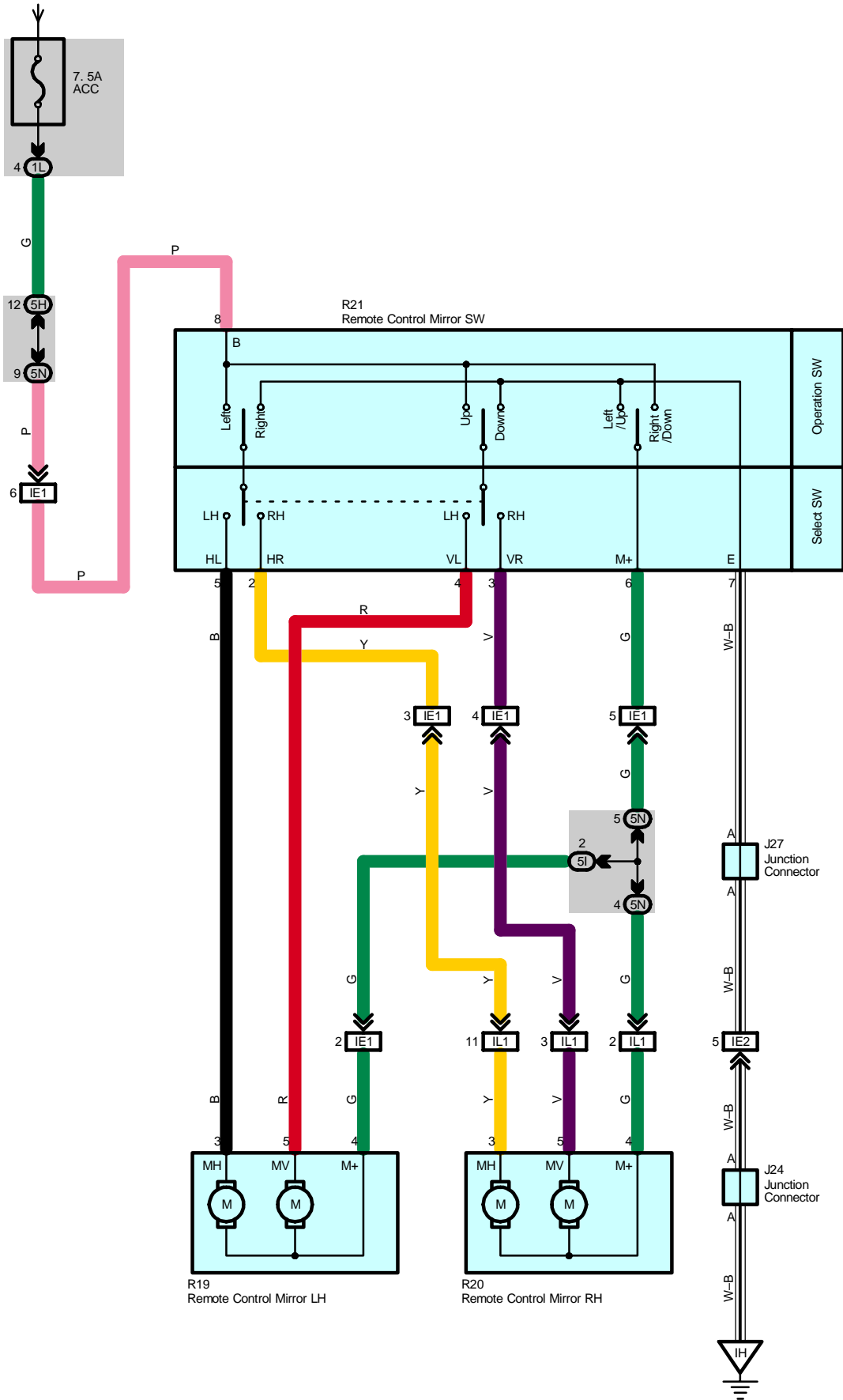


Remote Control Mirror

From Power Source System (See Page 66)



Service Hints

R21 Remote Control Mirror SW

8-6 : Continuity with the operation SW at DOWN or RIGHT position

6-7 : Continuity with the operation SW at UP or LEFT position

8-Ground : Approx. 12 volts with the power SW at ACC ON or IG ON position

7-Ground : Always continuity

: Parts Location

Code	See Page	Code	See Page	Code	See Page
J24	48	R19	52	R21	52
J27	51	R20	52		

: Junction Block and Wire Harness Connector

Code	See Page	Junction Block and Wire Harness (Connector Location)
1L	28	Instrument Panel Wire and Driver Side J/B (Lower Finish Panel)
5H	40	Instrument Panel Wire and Center Connector No.2 (Instrument Panel Brace RH)
5I		
5N		

: Connector Joining Wire Harness and Wire Harness

Code	See Page	Joining Wire Harness and Wire Harness (Connector Location)
IE1	56	Front Door LH Wire and Instrument Panel Wire (Left Kick Panel)
IE2		
IL1	58	Front Door RH Wire and Instrument Panel Wire (Right Kick Panel)

: Ground Points

Code	See Page	Ground Points Location
IH	56	Cowl Side Panel LH