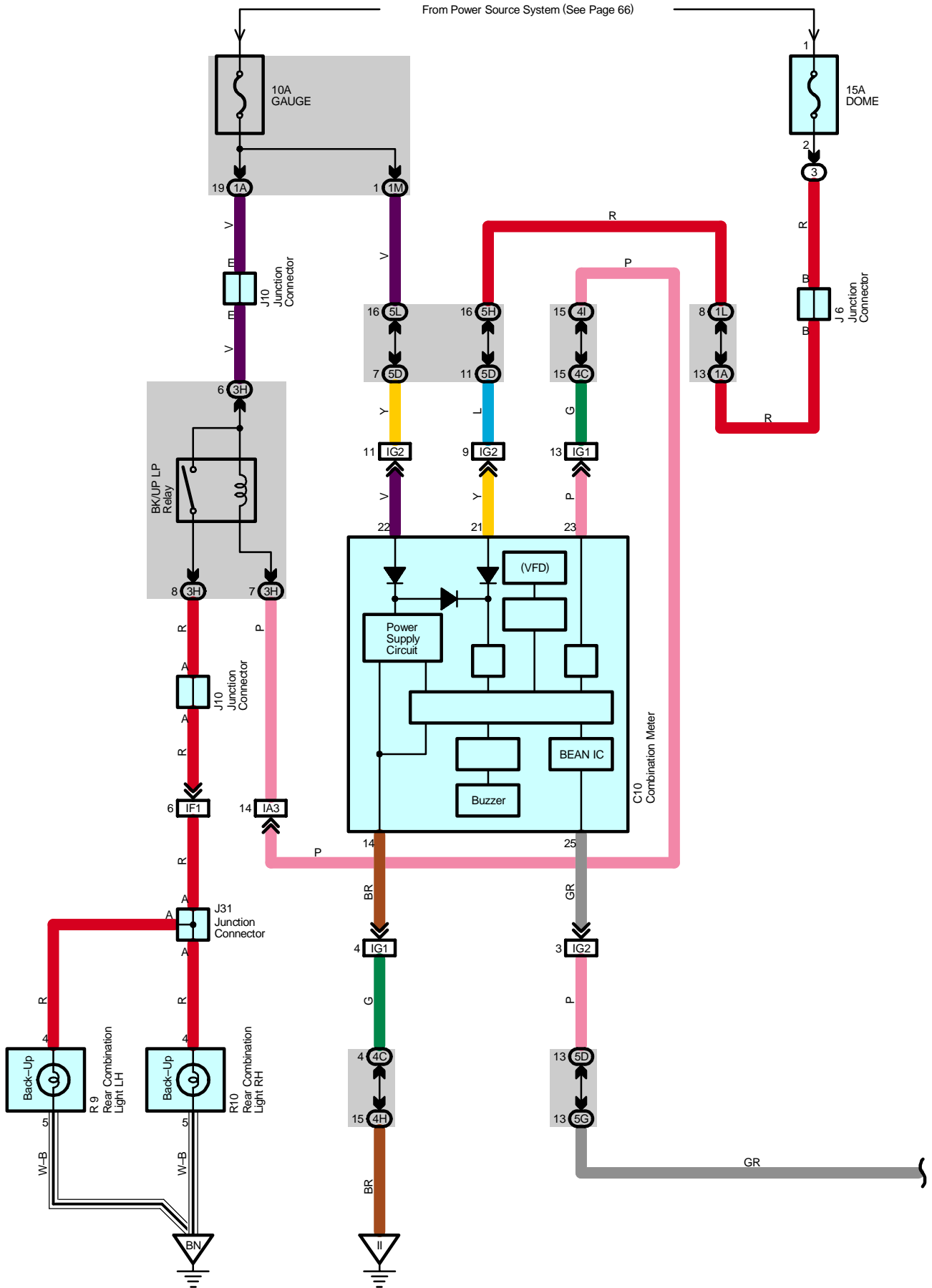
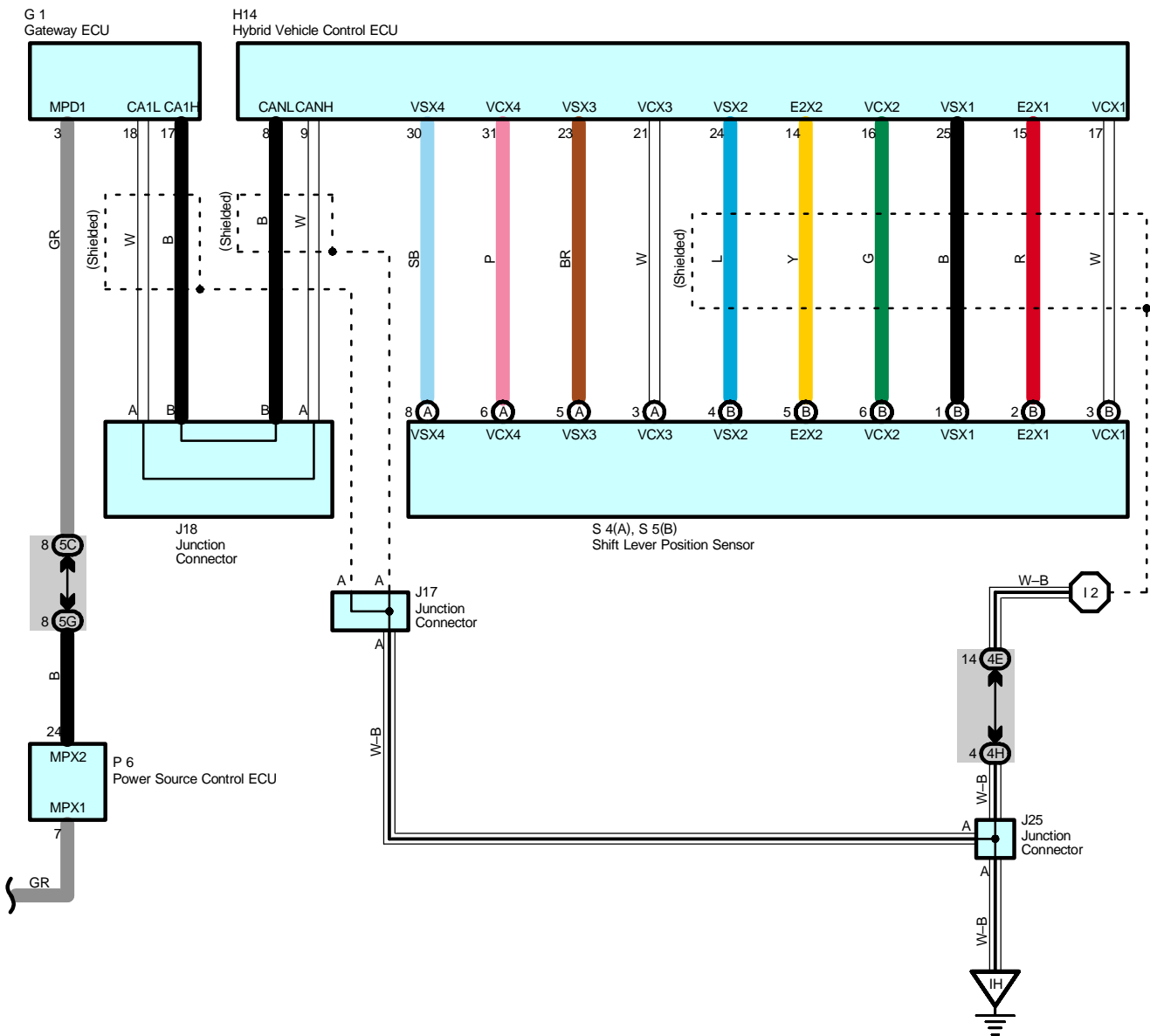


Back-Up Light





Back-Up Light

Service Hints

C10 Combination Meter

22-Ground : Approx. 12 volts with the power SW at IG ON position

21-Ground : Always approx. 12 volts

14-Ground : Always continuity

○ : Parts Location

Code	See Page	Code	See Page	Code	See Page
C10	47	J17	48	R9	52
G1	47	J18	48	R10	52
H14	47	J25	48	S4	A 49
J6	48	J31	51	S5	B 49
J10	48	P6	49		

○ : Relay Blocks

Code	See Page	Relay Blocks (Relay Block Location)
3	22	Engine Room R/B (Engine Compartment Left)

○ : Junction Block and Wire Harness Connector

Code	See Page	Junction Block and Wire Harness (Connector Location)
1A	28	Engine Room Main Wire and Driver Side J/B (Lower Finish Panel)
1L	28	Instrument Panel Wire and Driver Side J/B (Lower Finish Panel)
1M		
3H		
4C	36	Instrument Panel Wire and Center Connector No.1 (Behind the Combination Meter)
4E		
4H		
4I		
5C	40	Instrument Panel Wire and Center Connector No.2 (Instrument Panel Brace RH)
5D		
5G		
5H		
5L		

□ : Connector Joining Wire Harness and Wire Harness

Code	See Page	Joining Wire Harness and Wire Harness (Connector Location)
IA3	56	Engine Room Main Wire and Instrument Panel Wire (Upper Parts of Front Body Pillar LH)
IF1	56	Floor Wire and Engine Room Main Wire (Left Kick Panel)
IG1	58	Instrument Panel Wire and Instrument Panel No.2 Wire (Behind the Combination Meter)
IG2		

▽ : Ground Points

Code	See Page	Ground Points Location
IH	56	Cowl Side Panel LH
II	56	Instrument Panel Brace LH
BN	60	Lower Back Panel Center

○ : Splice Points

Code	See Page	Wire Harness with Splice Points	Code	See Page	Wire Harness with Splice Points
I2	58	Instrument Panel Wire			

