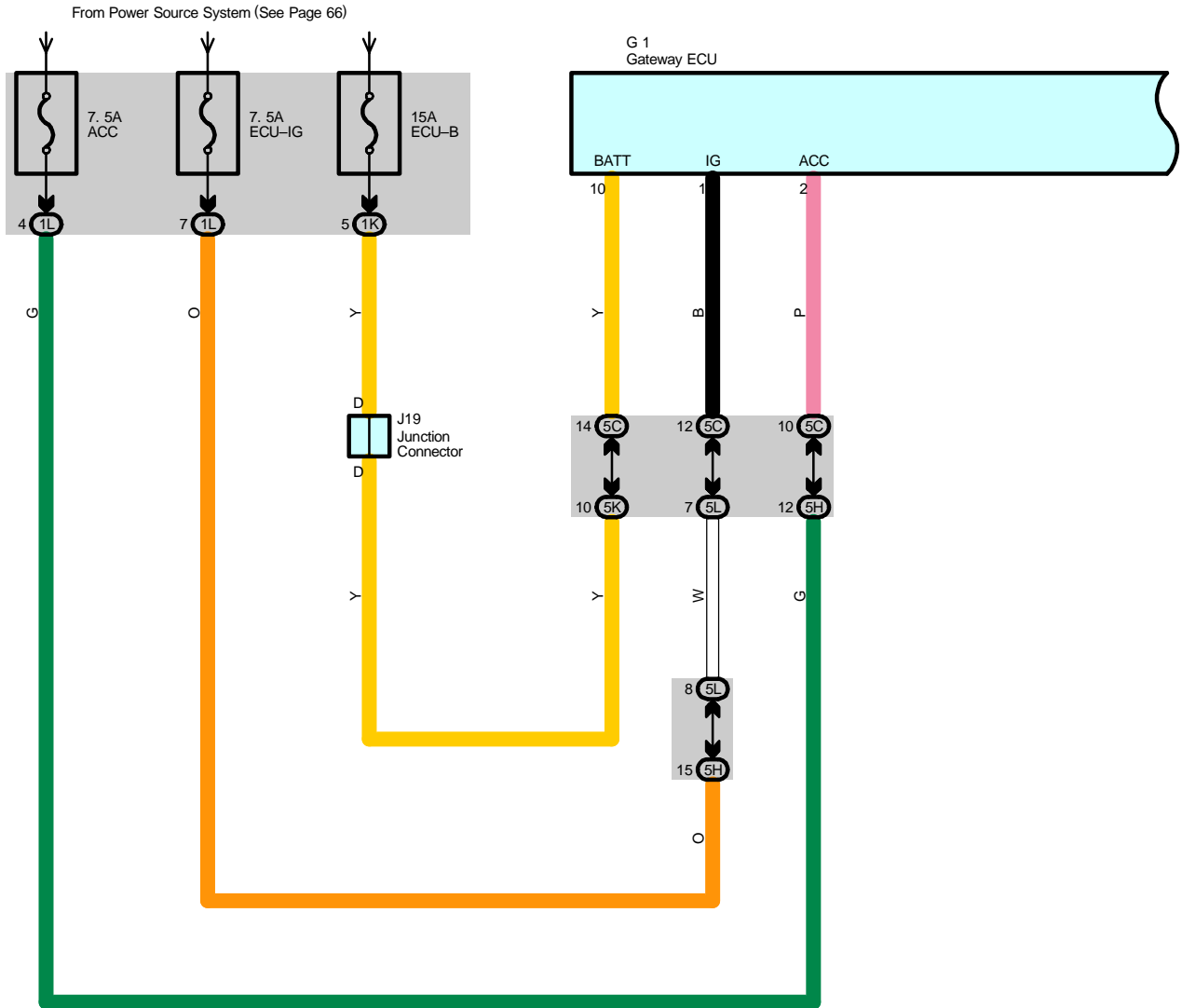
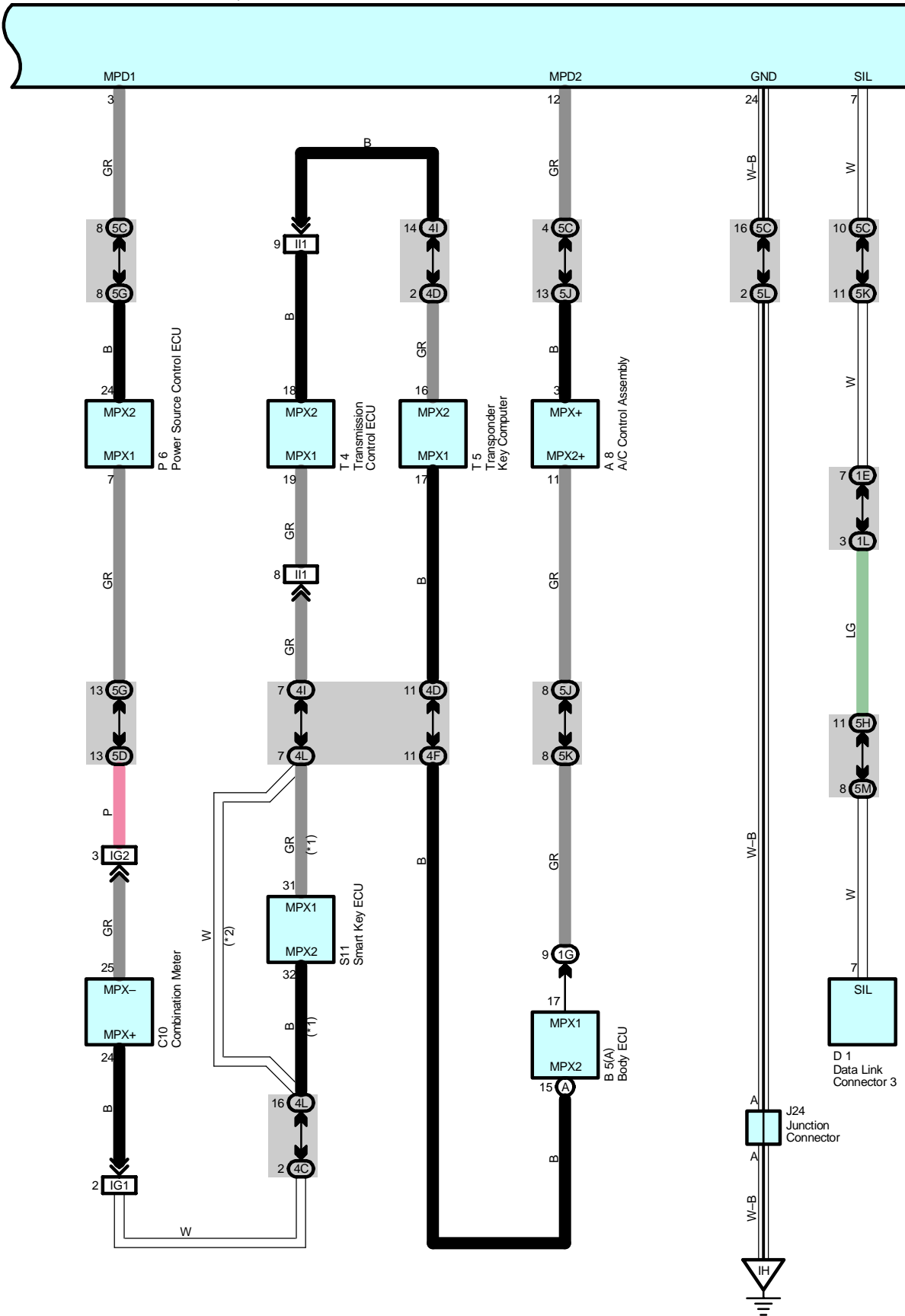


# Multiplex Communication System – BEAN Bus



\* 1 : w/ Smart Entry System  
 \* 2 : w/o Smart Entry System

G 1  
 Gateway ECU



# Multiplex Communication System – BEAN Bus

## System Outline

BEAN consists of body electrical systems such as body ECU, A/C control assembly, power source control ECU, combination meter, smart key ECU\*, transmission control ECU, transponder key computer and gateway ECU. Gateway ECU has communication circuit to correspond with different types of communication data. Different types of communication data can be shared among communication parts after it goes through gateway ECU. Vehicle information is input to body ECU at an assembling plant as a representative ECU which delivers the information to other ECUs through multiplex communication.

\* Optional equipment

This system is working for the following systems:

- \* Air Conditioning
- \* Audio System
- \* Brake Control System
- \* Combination Meter
- \* Cruise Control
- \* Engine Control
- \* EPS
- \* Headlight
- \* Hybrid Vehicle Immobilizer System
- \* Illumination
- \* Interior Light
- \* Key Reminder
- \* Luggage Compartment Door Opener
- \* Mirror Heater
- \* Multi-Display
- \* Push Button Start System
- \* Rear Window Defogger
- \* Shift Control System
- \* Smart Entry System
- \* Taillight
- \* TOYOTA Hybrid System

## Service Hints

### G1 Gateway ECU

10-Ground : Always approx. 12 volts

1-Ground : Approx. 12 volts with the power SW at IG ON position

2-Ground : Approx. 12 volts with the power SW at ACC ON or IG ON position

24-Ground : Always continuity

## ○ : Parts Location

Code	See Page	Code	See Page	Code	See Page
A8	<a href="#">46</a>	G1	<a href="#">47</a>	S11	<a href="#">49</a>
B5	<a href="#">46</a>	J19	<a href="#">48</a>	T4	<a href="#">49</a>
C10	<a href="#">47</a>	J24	<a href="#">48</a>	T5	<a href="#">49</a>
D1	<a href="#">47</a>	P6	<a href="#">49</a>		

 : **Junction Block and Wire Harness Connector**

Code	See Page	Junction Block and Wire Harness (Connector Location)
1E	28	Instrument Panel Wire and Driver Side J/B (Lower Finish Panel)
1G		
1K		
1L		
4C	36	Instrument Panel Wire and Center Connector No.1 (Behind the Combination Meter)
4D		
4F		
4I		
4L		
5C	40	Instrument Panel Wire and Center Connector No.2 (Instrument Panel Brace RH)
5D		
5G		
5H		
5J		
5K		
5L		
5M		

 : **Connector Joining Wire Harness and Wire Harness**

Code	See Page	Joining Wire Harness and Wire Harness (Connector Location)
IG1	58	Instrument Panel Wire and Instrument Panel No.2 Wire (Behind the Combination Meter)
IG2		
II1	58	Engine Wire and Instrument Panel Wire (Behind the Glove Box)

 : **Ground Points**

Code	See Page	Ground Points Location
IH	56	Cowl Side Panel LH