

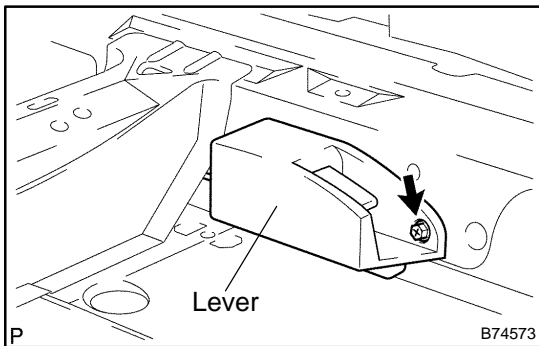
# FUEL LID LOCK CONTROL ASSY REPLACEMENT

7616D-01

**HINT:**

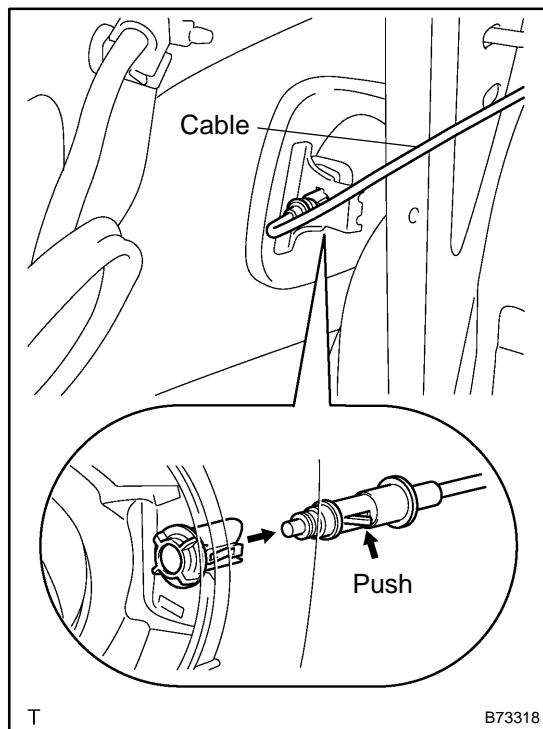
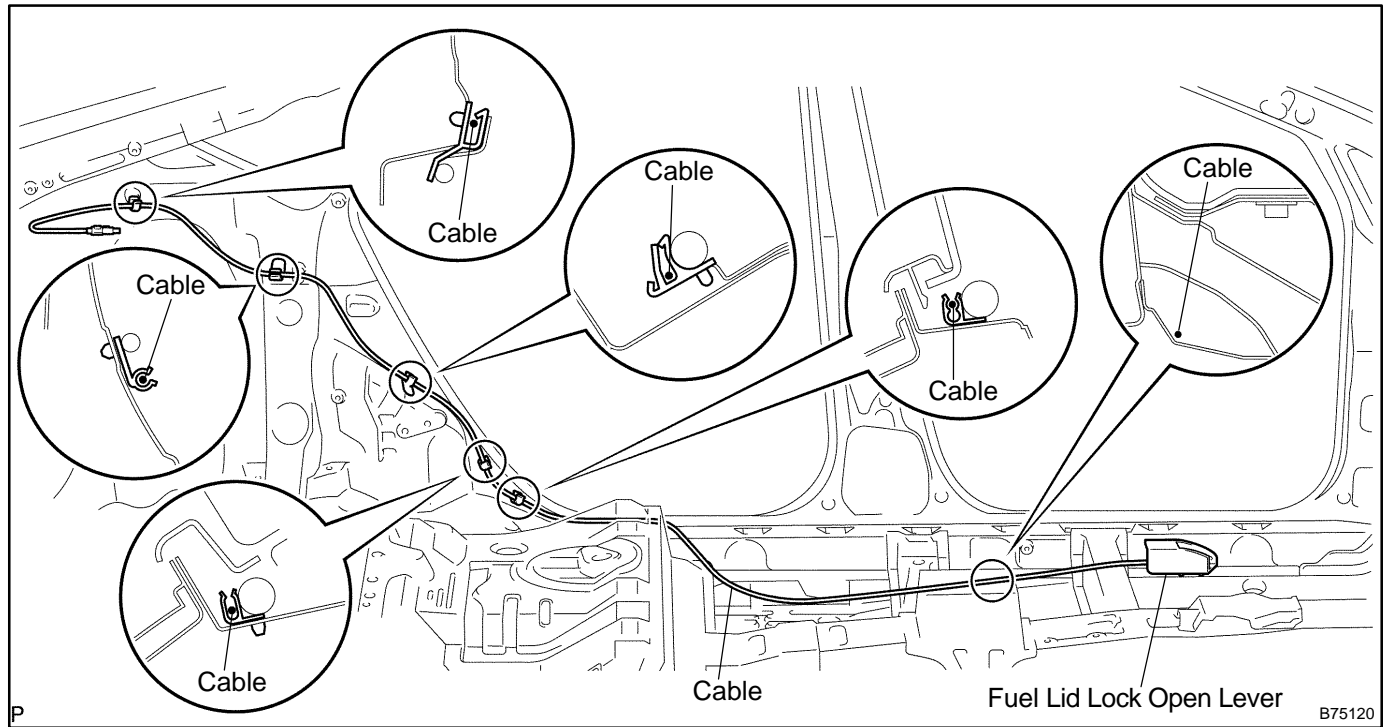
A bolt without a torque specification is shown in the standard bolt chart (see page 03-2).

1. **REMOVE FUEL LID LOCK OPEN LEVER SUB-ASSY**
  - (a) Remove the front seat (see page 72-2).
  - (b) Remove the rear seat (see page 72-9).
  - (c) Remove the center pillar garnish lower (see page 76-28).
  - (d) Remove the quarter trim panel lower (see page 76-28).
  - (e) Remove the quarter trim panel upper (see page 76-28).
  - (f) Remove the screw and fuel lever.
  - (g) Remove the cable.

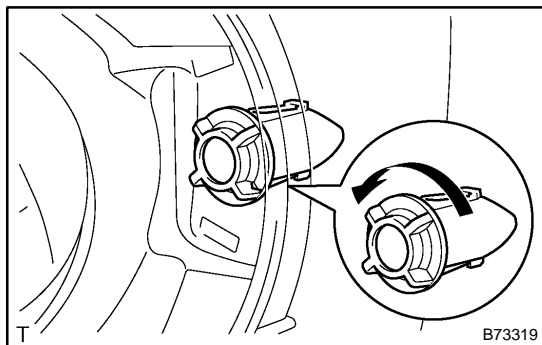


**2. REMOVE FUEL LID LOCK CONTROL CABLE SUB-ASSY**

(a) Remove the cable from the clamps at the location shown in the illustration.

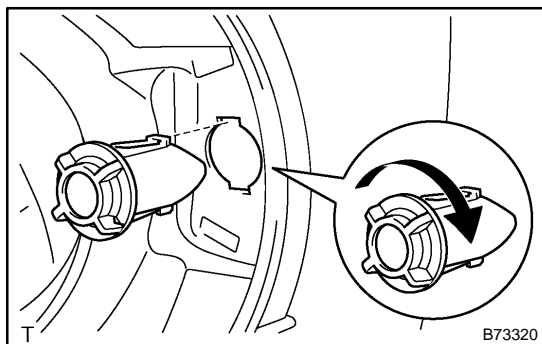


(b) Disengage the claw and remove the cable.



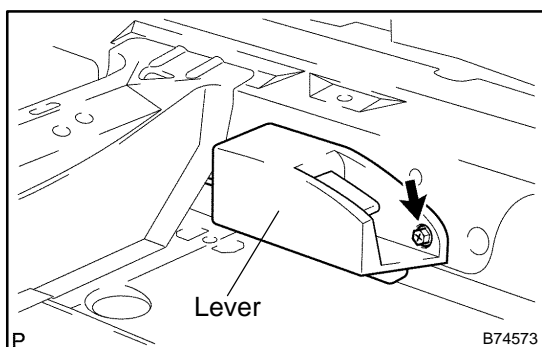
### 3. REMOVE FUEL FILLER OPENING LID LOCK RETAINER

- (a) Remove the fuel filler opening lock retainer, as shown in the illustration.



### 4. INSTALL FUEL FILLER OPENING LID LOCK RETAINER

- (a) Install the fuel filler opening lock retainer, as shown in the illustration.



### 5. INSTALL FUEL LID LOCK OPEN LEVER SUB-ASSY

- (a) Install the cable.  
 (b) Install the lever with the screw.  
 (c) Install the quarter trim panel upper (see page 76-28).  
 (d) Install the quarter trim panel lower (see page 76-28).  
 (e) Install the center pillar garnish lower (see page 76-28).  
 (f) Install the rear seat (see page 72-9).  
 (g) Install the front seat (see page 72-2).