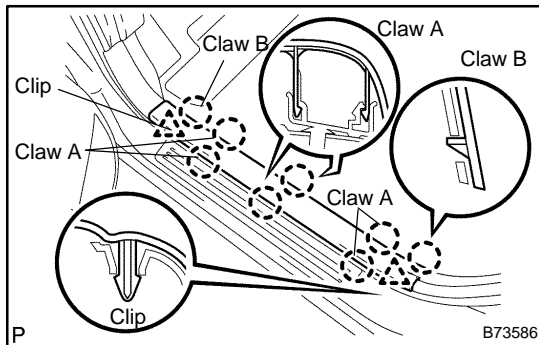


REPLACEMENT

HINT:

- The installation procedures are the removal procedures in reverse order. However, only installation procedures requiring additional information are included.
- A bolt without a torque specification is shown in the standard bolt chart (see page 03-2).



1. REMOVE FRONT DOOR SCUFF PLATE LH

- Using a screwdriver, disengage the 6 claws labeled A and 2 claws labeled B, remove the 2 clips and scuff plate.

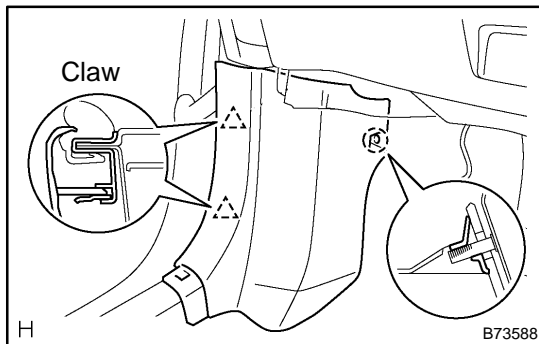
HINT:

Tape the screwdriver tip before use.

2. REMOVE FRONT DOOR SCUFF PLATE RH

HINT:

Use the same procedures described for the LH side.



3. REMOVE COWL SIDE TRIM BOARD LH

- Using a screwdriver, disengage the 2 claws and remove the trim board.

HINT:

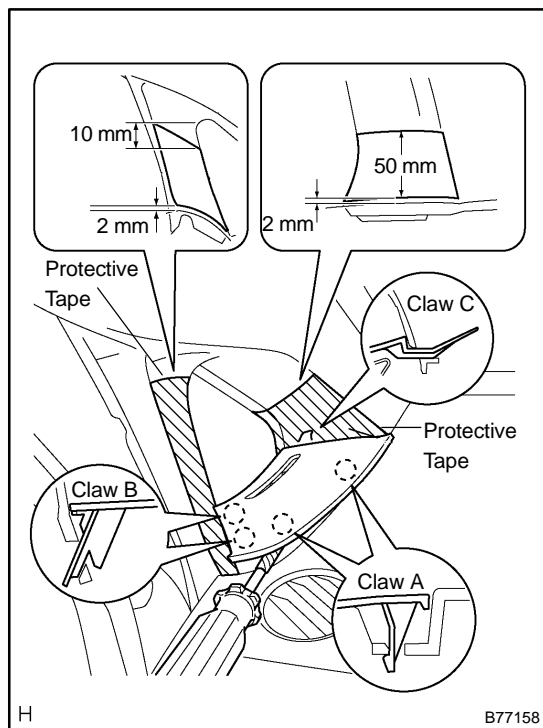
Tape the screwdriver tip before use.

4. REMOVE COWL SIDE TRIM BOARD RH

HINT:

Use the same procedures described for the LH side.

- REMOVE FRONT DOOR OPENING TRIM WEATHERSTRIP LH
- REMOVE FRONT DOOR OPENING TRIM WEATHERSTRIP RH



7. REMOVE FRONT PILLAR GARNISH CORNER PIECE LH

- (a) Using a screwdriver, disengage the 2 claws labeled A, 2 claws labeled B and claw labeled C. Remove the corner piece.

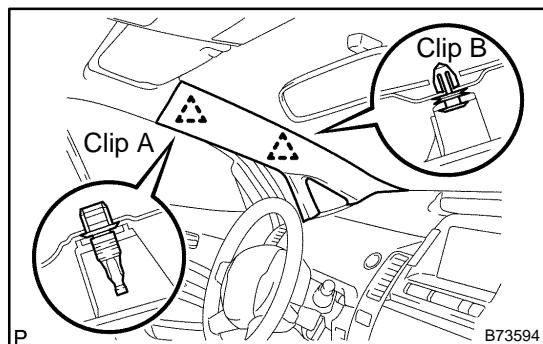
HINT:

Tape the screwdriver tip before use.

8. REMOVE FRONT PILLAR GARNISH CORNER PIECE RH

HINT:

Use the same procedures described for the LH side.

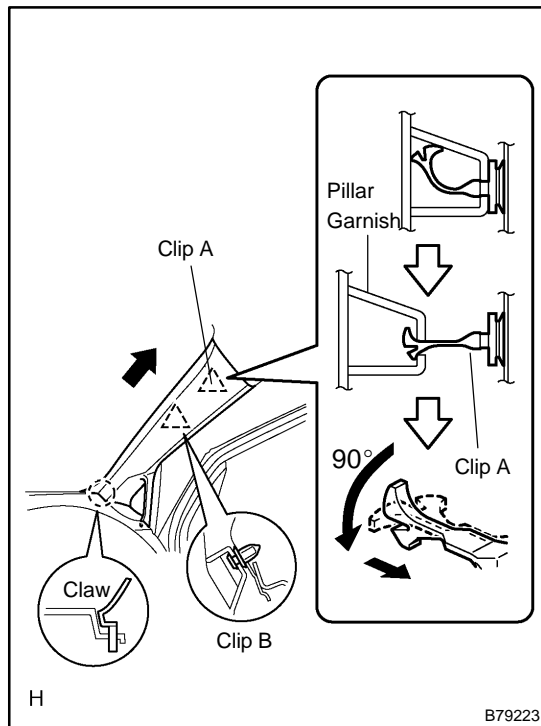


9. REMOVE FRONT PILLAR GARNISH LH

- (a) Using a screwdriver, remove the clip labeled A and clip labeled B and pillar garnish..

HINT:

Tape the screwdriver tip before use.



- (b) w/ Curtain shield airbag:
 (1) Using a screwdriver, disengage the clips clip labeled A and clip labeled B.

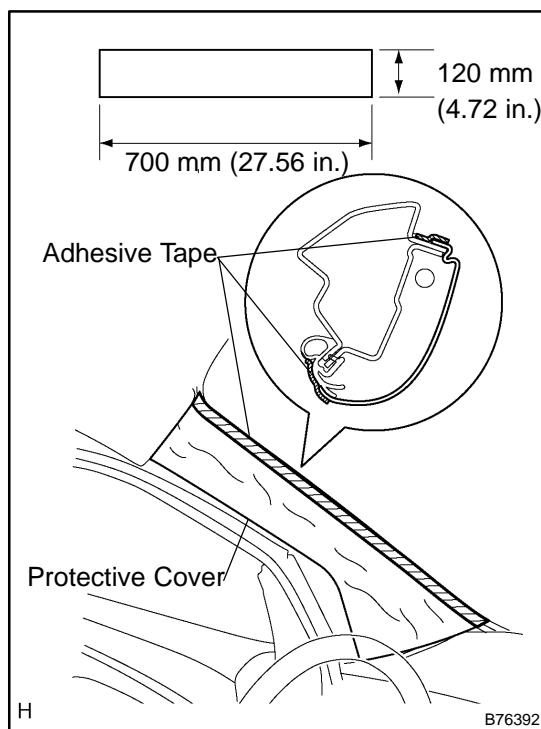
HINT:

Tape the screwdriver tip before use.

- (c) Remove the pillar garnish.
 (1) Pull the pillar garnish until the clip marked A in the illustration stretches.
 (2) Turn the clip marked A in the illustration 90 degrees and remove the pillar garnish.

HINT:

Use the same procedures described for the LH side.



- (d) w/ Curtain shield airbag:
 Protect the curtain shield airbag LH.
 (1) Thoroughly cover the airbag with cloth or nylon of 700 mm (27.56 in.) x 120 mm (4.72 in.) and fix the ends of the cover with adhesive tape, as shown in the illustration.

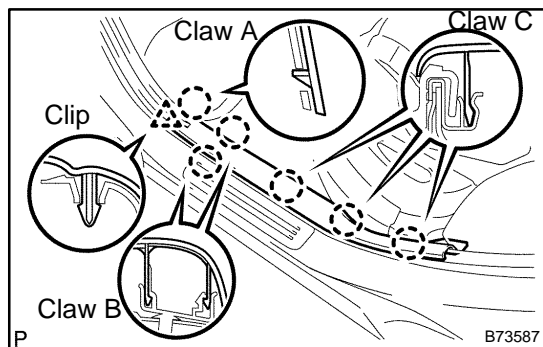
NOTICE:

Cover the curtain shield airbag with the protection cover as soon as the pillar garnish is removed.

10. REMOVE FRONT PILLAR GARNISH RH**HINT:**

Use the same procedures described for the LH side.

11. REMOVE REAR SEAT CUSHION ASSY (See page 72-9)

**12. REMOVE REAR DOOR SCUFF PLATE LH**

- (a) Using a screwdriver, disengage the claw labeled A, 2 claws labeled B and 3 claws labeled C. Remove the scuff plate.

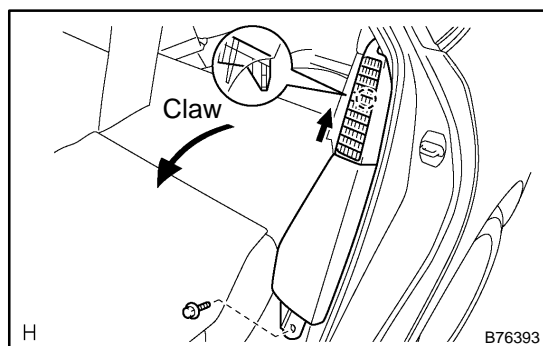
HINT:

Tape the screwdriver tip before use.

13. REMOVE REAR DOOR SCUFF PLATE RH

HINT:

Use the same procedures described for the LH side.

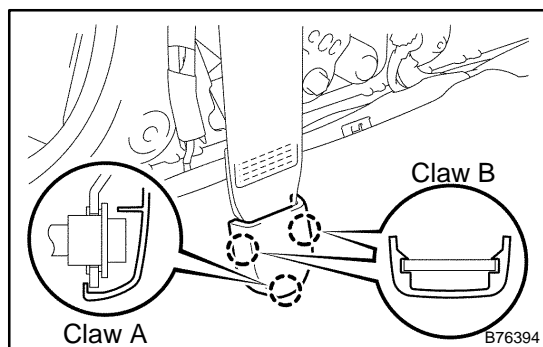
**14. REMOVE REAR SIDE SEAT BACK FRAME LH**

- (a) Remove the bolt.
 (b) Disengage the claw and remove the frame.

15. REMOVE REAR SIDE SEAT BACK FRAME RH

HINT:

Use the same procedures described for the LH side.

16. REMOVE REAR DOOR OPENING TRIM WEATHERSTRIP LH**17. REMOVE REAR DOOR OPENING TRIM WEATHERSTRIP RH****18. REMOVE LAP BELT OUTER ANCHOR COVER**

- (a) Using a screwdriver, disengage the claw labeled A and 2 claws labeled B and remove the anchor cover.

HINT:

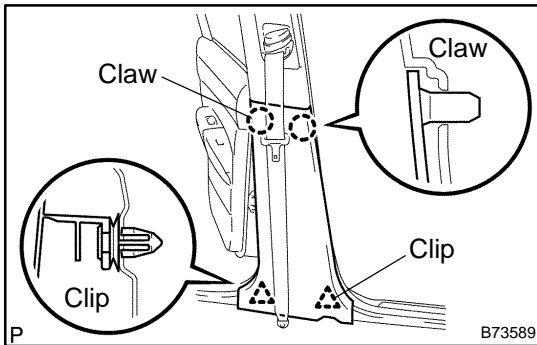
Tape the screwdriver tip before use.

19. REMOVE FRONT SEAT OUTER BELT ASSY LH

- (a) Remove the floor anchor bolt.

20. REMOVE FRONT SEAT OUTER BELT ASSY RH

- (a) Remove the floor anchor bolt.

**21. REMOVE CENTER PILLAR GARNISH LOWER LH**

- (a) Using a screwdriver, disengage the 2 claws and remove the 2 clips and garnish lower.

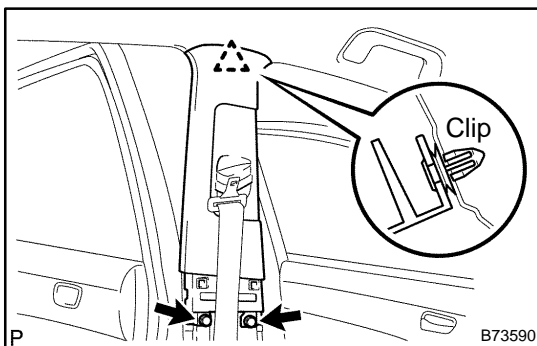
HINT:

Tape the screwdriver tip before use.

22. REMOVE CENTER PILLAR GARNISH LOWER RH

HINT:

Use the same procedures described for the LH side.

**23. REMOVE CENTER PILLAR GARNISH LH**

- (a) Using a screwdriver, remove the clip and 2 screws and pillar garnish.

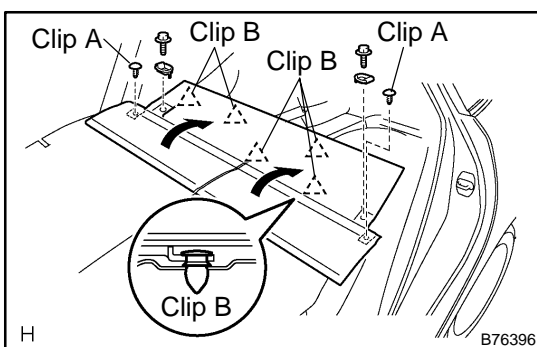
HINT:

Tape the screwdriver tip before use.

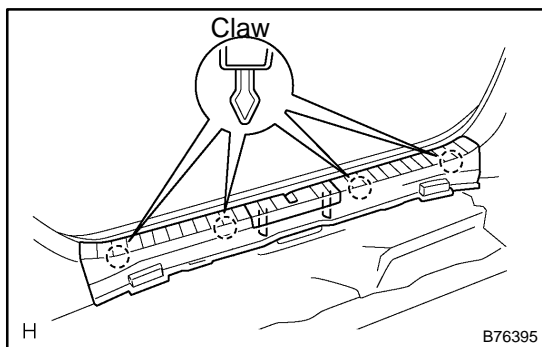
24. REMOVE CENTER PILLAR GARNISH RH

HINT:

Use the same procedures described for the LH side.

25. REMOVE REAR SEAT 3 POINT TYPE BELT ASSY OUTER**26. REMOVE REAR SEAT BELT ASSY OUTER CENTER****27. REMOVE BACK DOOR WEATHERSTRIP****28. REMOVE TONNEAU COVER ASSY****29. REMOVE REAR FLOOR BOARD NO.2****30. REMOVE REAR FLOOR BOARD NO.3****31. REMOVE REAR FLOOR BOARD NO.4****32. REMOVE DECK FLOOR BOX REAR****33. REMOVE DECK FLOOR BOX LH****34. REMOVE REAR FLOOR BOARD NO.1**

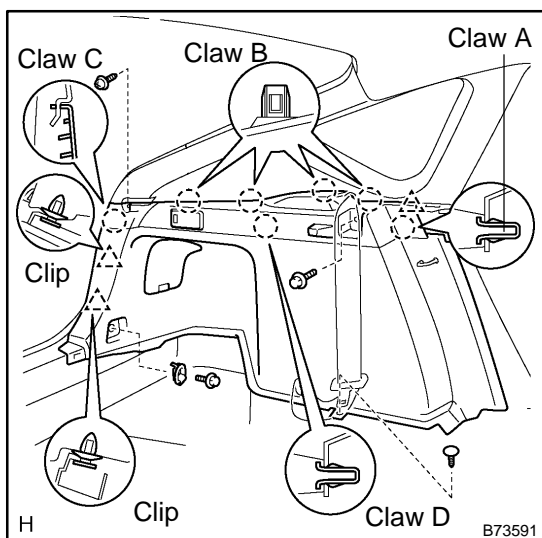
- (a) Remove the 2 bolts and 2 clips labeled A.
 (b) Remove the 5 clips labeled B and floor board.

**35. REMOVE DECK TRIM COVER REAR**

- (a) Using a screwdriver, disengage the 6 claws and remove the trim cover.

HINT:

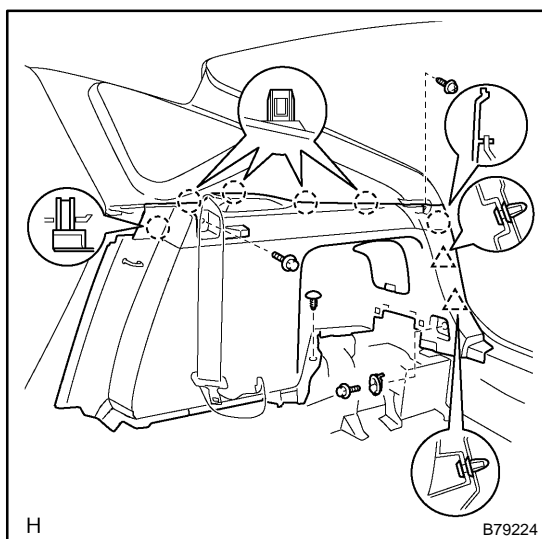
Tape the screwdriver tip before use.

**36. REMOVE DECK TRIM SIDE PANEL ASSY LH**

- (a) Remove the screw and 2 bolts.
- (b) Using a screwdriver, disengage the claw labeled A, 4 claws labeled B, claw labeled C and claw labeled D. Remove the 2 clips and side panel.

HINT:

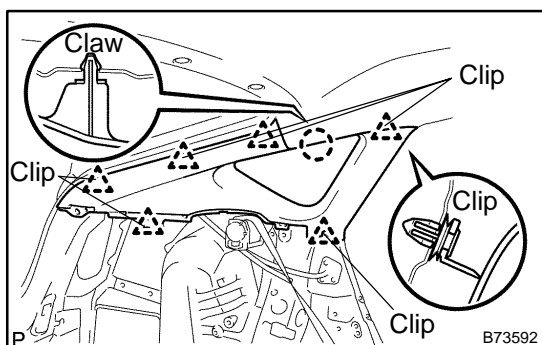
Tape the screwdriver tip before use.

**37. REMOVE DECK TRIM SIDE PANEL ASSY RH**

- (a) Remove the screw and 2 bolts.
- (b) Using a screwdriver, disengage the claw labeled A, 4 claws labeled B, claw labeled C, Remove the 2 clips and side panel.

HINT:

Tape the screwdriver tip before use.

**38. REMOVE ROOF SIDE GARNISH ASSY INNER LH**

- (a) Remove the 6 clips.
- (b) Using a screwdriver, disengage the claw and remove the side garnish.

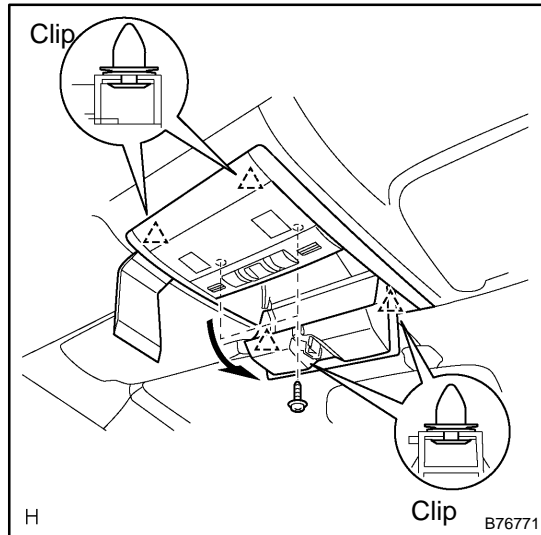
HINT:

Tape the screwdriver tip before use.

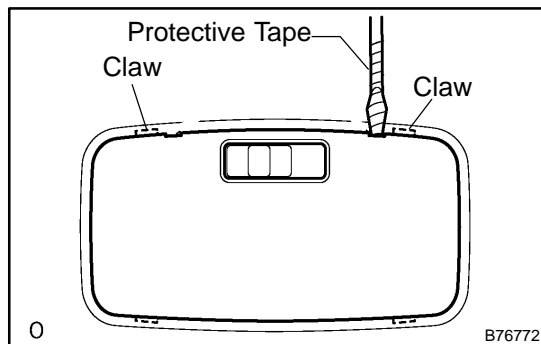
39. REMOVE ROOF SIDE GARNISH ASSY INNER RH

HINT:

Use the same procedures described for the LH side.

**40. REMOVE MAP LAMP ASSY**

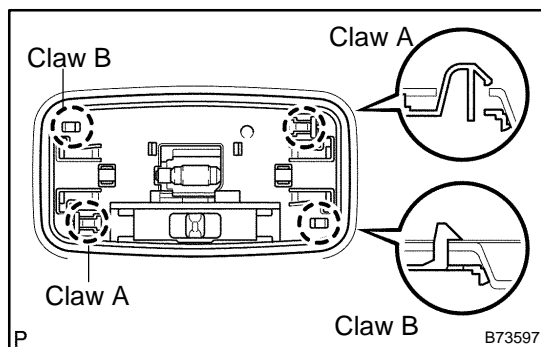
- (a) Remove the 2 screws.
- (b) Using a moulding remover, remove the 4 clips and map lamp.
- (c) Disconnect the map lamp connector.

**41. REMOVE ROOM LAMP ASSY NO.1**

- (a) Using a screwdriver, remove the map lamp lens.

HINT:

Tape the screwdriver tip before use.

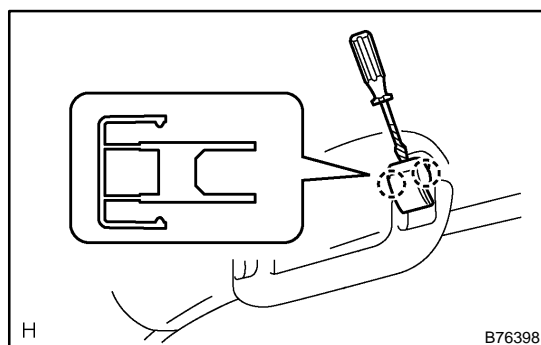


- (b) Using a screwdriver, Disengage the 2 claws labeled A and 2 claws labeled B and remove the map lamp.

HINT:

Tape the screwdriver tip before use.

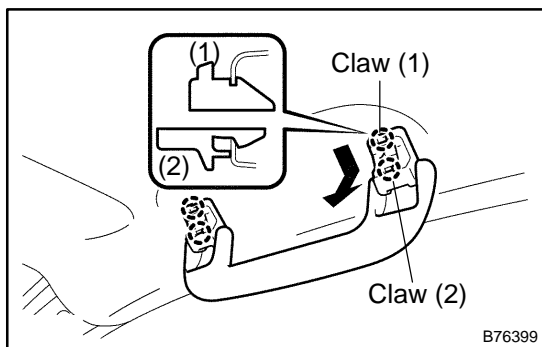
- (c) Disconnect the map lamp connector.

**42. REMOVE ASSIST GRIP COVER**

- (a) Using a screwdriver, disengage the 4 claws and remove the 2 covers.

HINT:

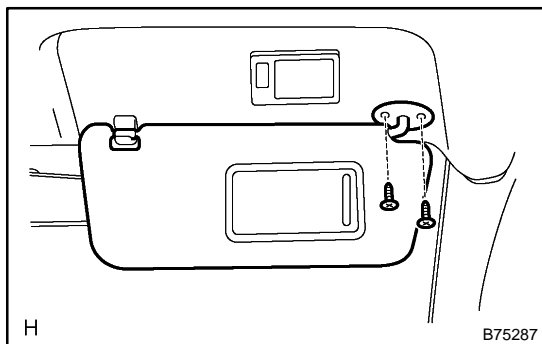
Tape the screwdriver tip before use.

**43. REMOVE ASSIST GRIP SUB-ASSY**

- (a) Using a screwdriver, disengage the 4 claws and assist grip.

HINT:

Tape the screwdriver tip before use.

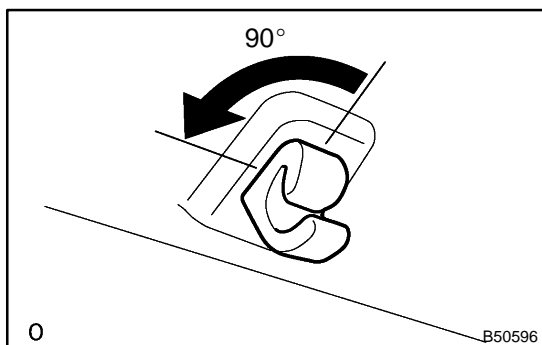
**44. REMOVE LH VISOR ASSY**

- (a) Remove the 2 screws.
(b) Disconnect the connector, remove the visor.

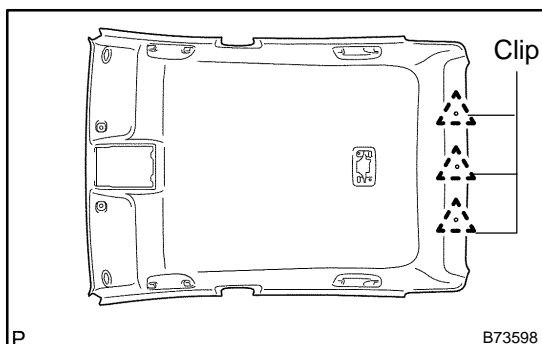
45. REMOVE RH VISOR ASSY

HINT:

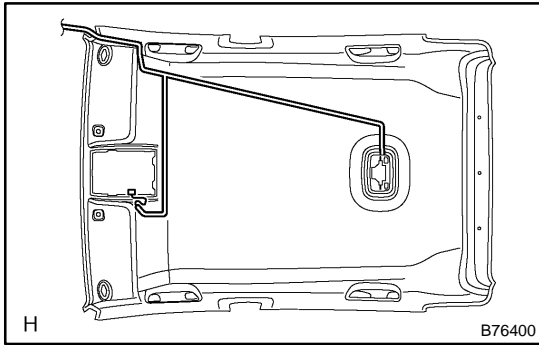
Use the same procedures described for the LH side.

**46. REMOVE VISOR HOLDER**

- (a) Remove the visor holder by turning it counterclockwise.

**47. REMOVE ROOF HEADLINING ASSY**

- (a) Remove the 3 clips and headlining.
(b) Remove the silencer form the headlining.

**48. INSTALL ROOF HEADLINING ASSY**

- (a) Align the markings, and then install the wire harness with tape.

NOTICE:

Attach the roof wire harness securely.

- (b) Install the roof headlining with the 3 clips.

49. INSTALL REAR SEATBELT ASSY OUT LH

- (a) Install the seatbelt with the bolt.

Torque: 42 N·m (430 kgf·cm, 31 ft·lbf)

50. INSTALL REAR SEATBELT ASSY OUT RH

- (a) Install the seatbelt with the bolt.

Torque: 42 N·m (430 kgf·cm, 31 ft·lbf)

51. INSTALL FRONT SEAT OUTER BELT ASSY LH

- (a) Install the belt with the bolt.

Torque: 42 N·m (430 kgf·cm, 31 ft·lbf)

52. INSTALL FRONT SEAT OUTER BELT ASSY RH

- (a) Install the belt with the bolt.

Torque: 42 N·m (430 kgf·cm, 31 ft·lbf)