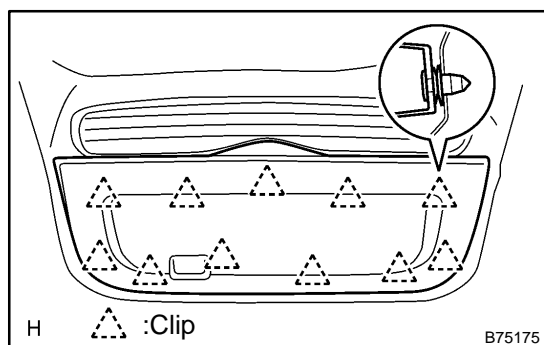


## OVERHAUL

### HINT:

- The installation procedures are the removal procedures in reverse order. However, only installation procedures requiring additional information are included.
- A bolt without a torque specification is shown in the standard bolt chart (see page 03-2).

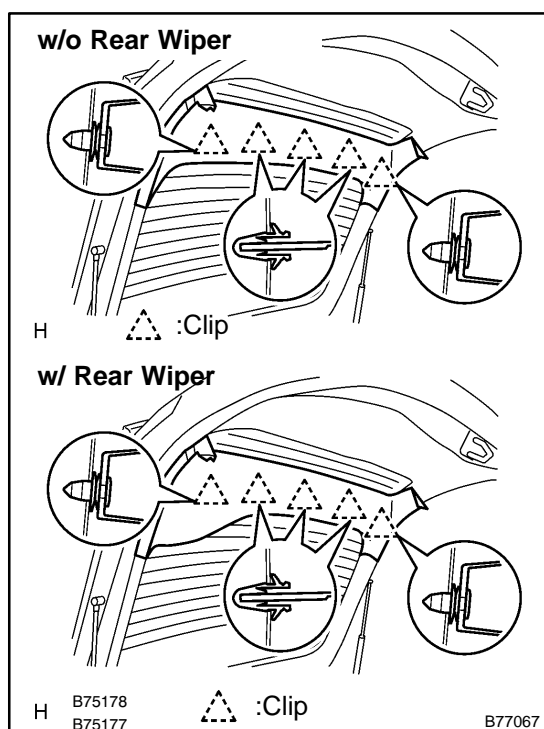


### 1. REMOVE BACK DOOR TRIM BOARD ASSY

- (a) Using a screwdriver, disengage the 11 clips and remove the trim board.

#### HINT:

Tape the screwdriver tip before use.

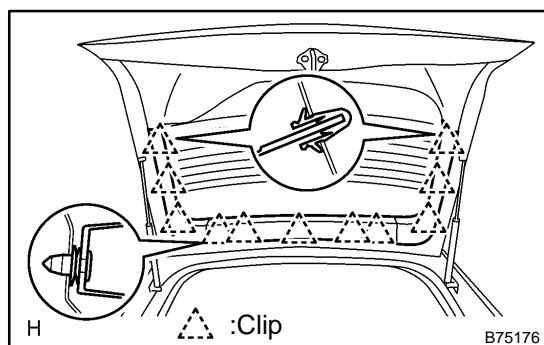


### 2. REMOVE BACK DOOR TRIM BOARD

- (a) Using a screwdriver, disengage the 5 clips and remove the trim board.

#### HINT:

Tape the screwdriver tip before use.



### 3. REMOVE BACK DOOR TRIM PANEL ASSY UPPER

- (a) Using a screwdriver, disengage the 5 clips and remove the trim panel.

#### HINT:

Tape the screwdriver tip before use.

### 4. REMOVE BACK DOOR SIDE GARNISH LH

- (a) Using a screwdriver, disengage the 3 clips and remove the garnish.

#### HINT:

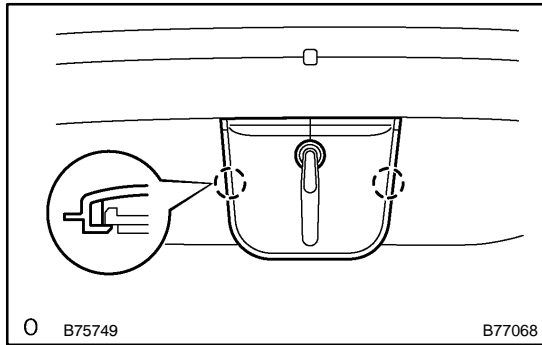
Tape the screwdriver tip before use.

**5. REMOVE BACK DOOR SIDE GARNISH RH**

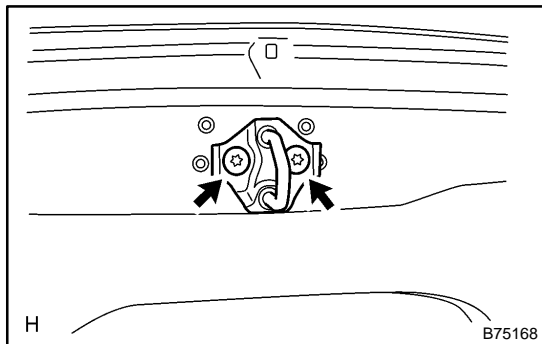
(a) Using a screwdriver, disengage the 3 clips and remove the garnish.

HINT:

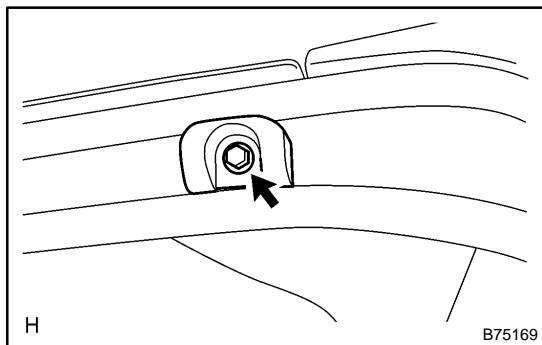
Tape the screwdriver tip before use.

**6. REMOVE REAR SPOILER SUB-ASSY (See page 76-10)****7. REMOVE REAR WIPER MOTOR ASSY (See page 66-19)****8. REMOVE BACK DOOR GARNISH SUB-ASSY OUTSIDE (See page 76-23)****9. REMOVE TELEVISION CAMERA ASSY (See page 67-1)****10. REMOVE LICENSE PLATE LAMP ASSY (See page 65-21)****11. REMOVE BACK DOOR LOCK STRIKER ASSY**

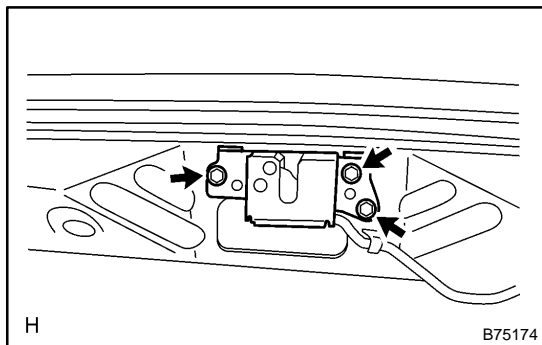
(a) Using a screwdriver, disengage the 2 claws and remove the cover.



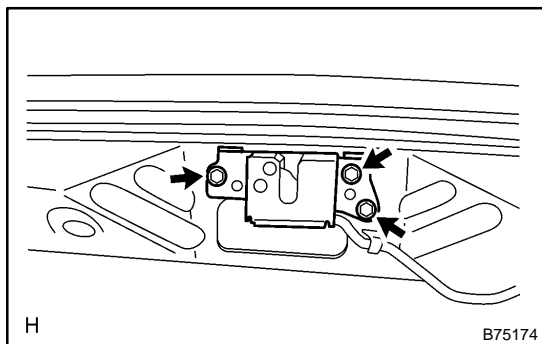
(b) Using a torx wrench (T40), remove the 2 screws and striker.

**12. REMOVE BACK DOOR STAY ASSY LH (See page 75-36)****13. REMOVE BACK DOOR STAY ASSY RH (See page 75-36)****14. REMOVE DECK TRIM COVER REAR (See page 76-28)****15. REMOVE BACK DOOR STOPPER LOWER**

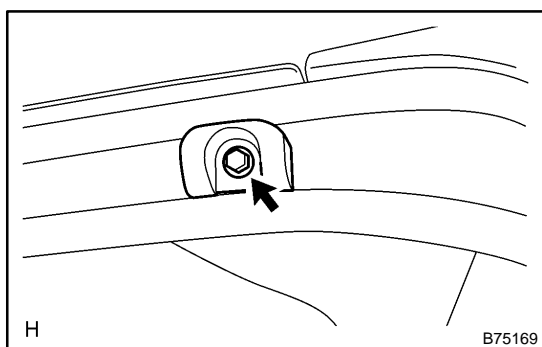
(a) Remove the bolt and stopper LH and RH.

**16. REMOVE BACK DOOR LOCK ASSY**

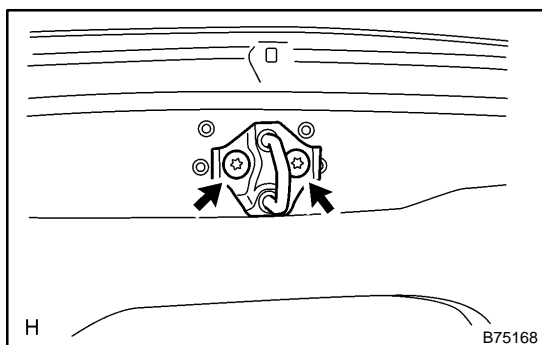
- (a) Disconnect the connector.
- (b) Remove the 3 bolts and door lock.

**17. INSTALL BACK DOOR LOCK ASSY**

- (a) Install the door lock with the 3 bolts.  
**Torque: 7.5 N·m (76 kgf·cm, 75 in.-lbf)**
- (b) Adjust the door lock (see page [75-32](#)).

**18. REMOVE BACK DOOR STOPPER LOWER**

- (a) Install the stopper with the bolt LH and RH.  
**Torque: 8.0 N·m (82 kgf·cm, 71 in.-lbf)**

**19. INSTALL BACK DOOR LOCK STRIKER ASSY**

- (a) Using a torx wrench (T40), install the striker with the 2 screws.  
**Torque: 23 N·m (235 kgf·cm, 16 ft·lbf)**
- (b) Install the cover.