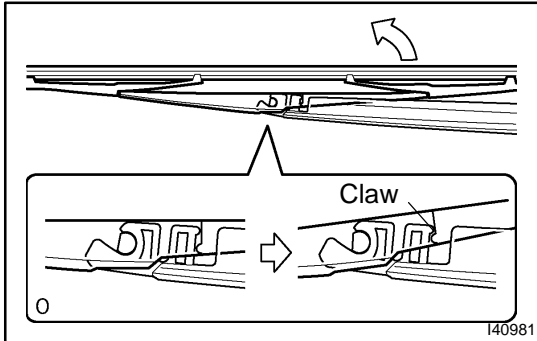


# REAR WIPER RUBBER REPLACEMENT

660HL-01

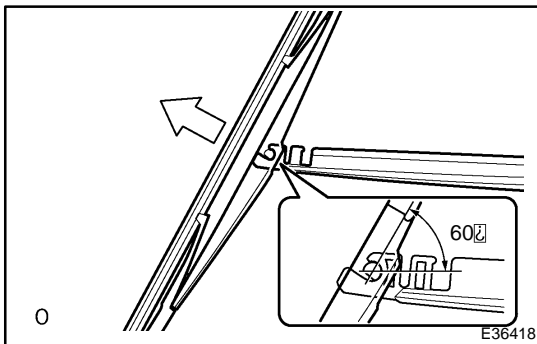


## 1. REMOVE RR WIPER BLADE

- (a) Raise the rear wiper blade to the position as shown in the illustration where the meshing of the claw disengages with a clicking sound. [\*1]

### NOTICE:

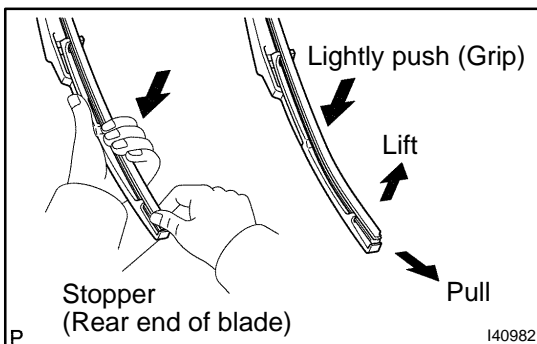
**Be careful not to break the claw.**



- (b) Pull the rear wiper blade straight away from the rear wiper arm towards the left side of the vehicle at condition [\*1].

### NOTICE:

**Do not fold the rear wiper arm with the rear wiper blade removed from it.**



## 2. REMOVE REAR WIPER RUBBER

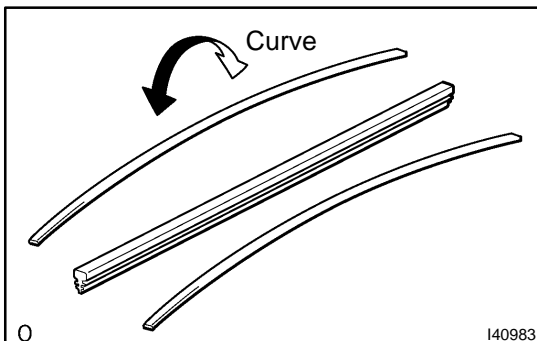
- (a) Pull the end of the wiper rubber protruding from the blade stopper as shown in the illustration.

### NOTICE:

**Do not pull out the wiper rubber forcibly. If you do, the backing plates will be deformed or the blade claws will be damaged.**

### HINT:

Lightly pushing the rubber from the ends towards the middle will allow it to be removed more easily.

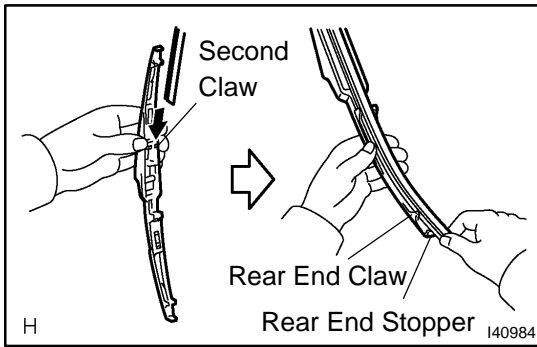


## 3. INSTALL REAR WIPER RUBBER

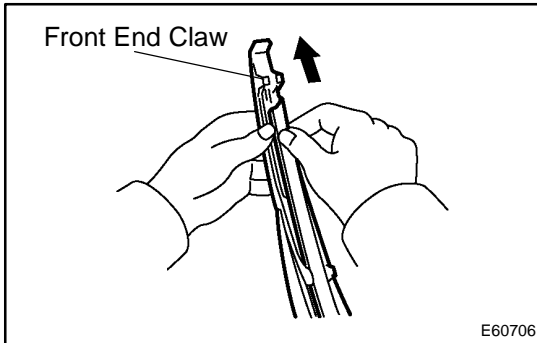
- (a) Install rear wiper rubber backing plate No.1 and No.2 as shown in the illustration.

### NOTICE:

**Install the backing plates in the correct direction.**



- (b) Insert the rear wiper rubber from the front end of the rear wiper blade to the rear end through the second claw.
- (c) After pushing the rear wiper rubber through the rear end side claw, allow it to stick out from the rear end stopper.



- (d) Slide the rear wiper rubber through the front end claw.