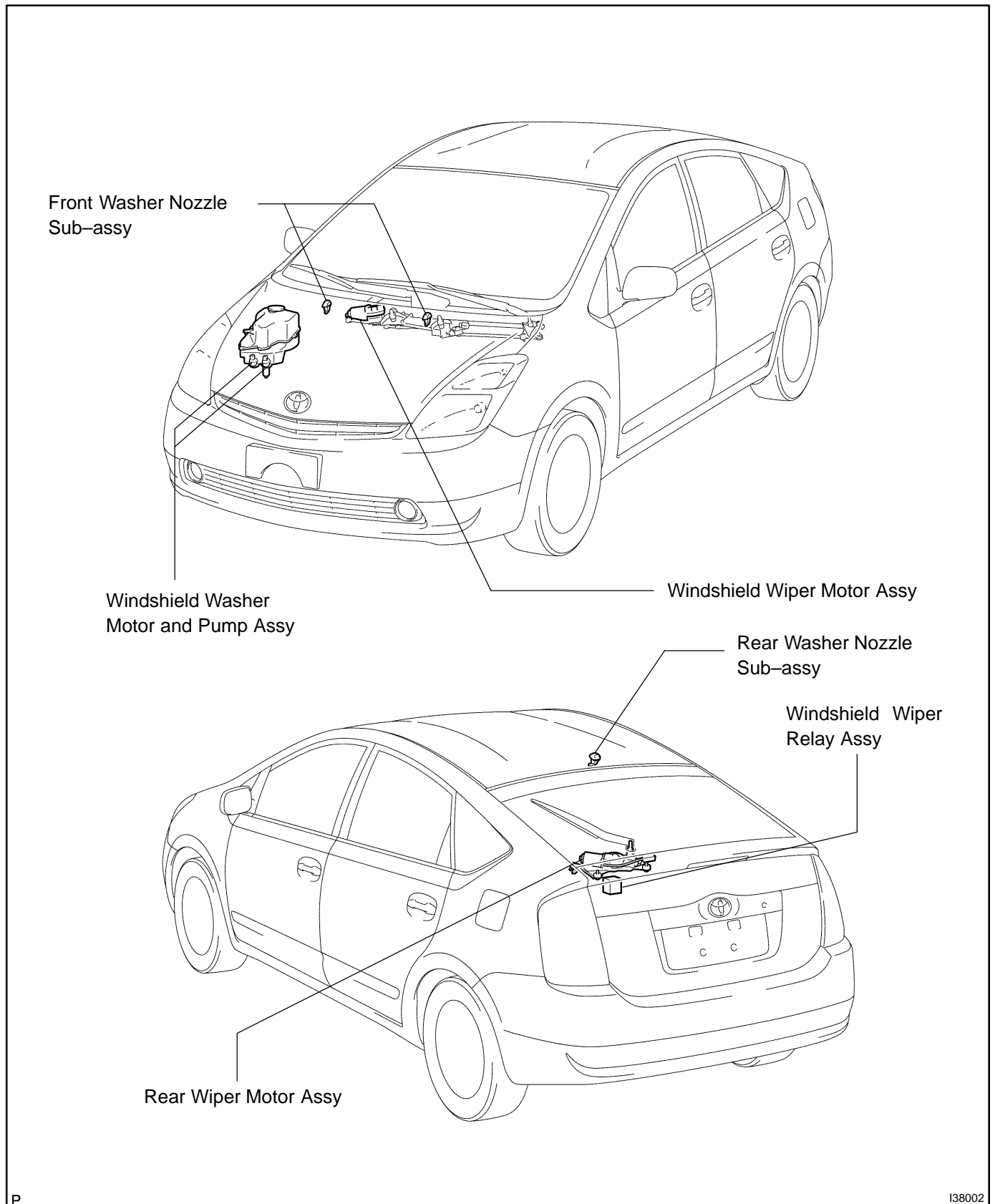
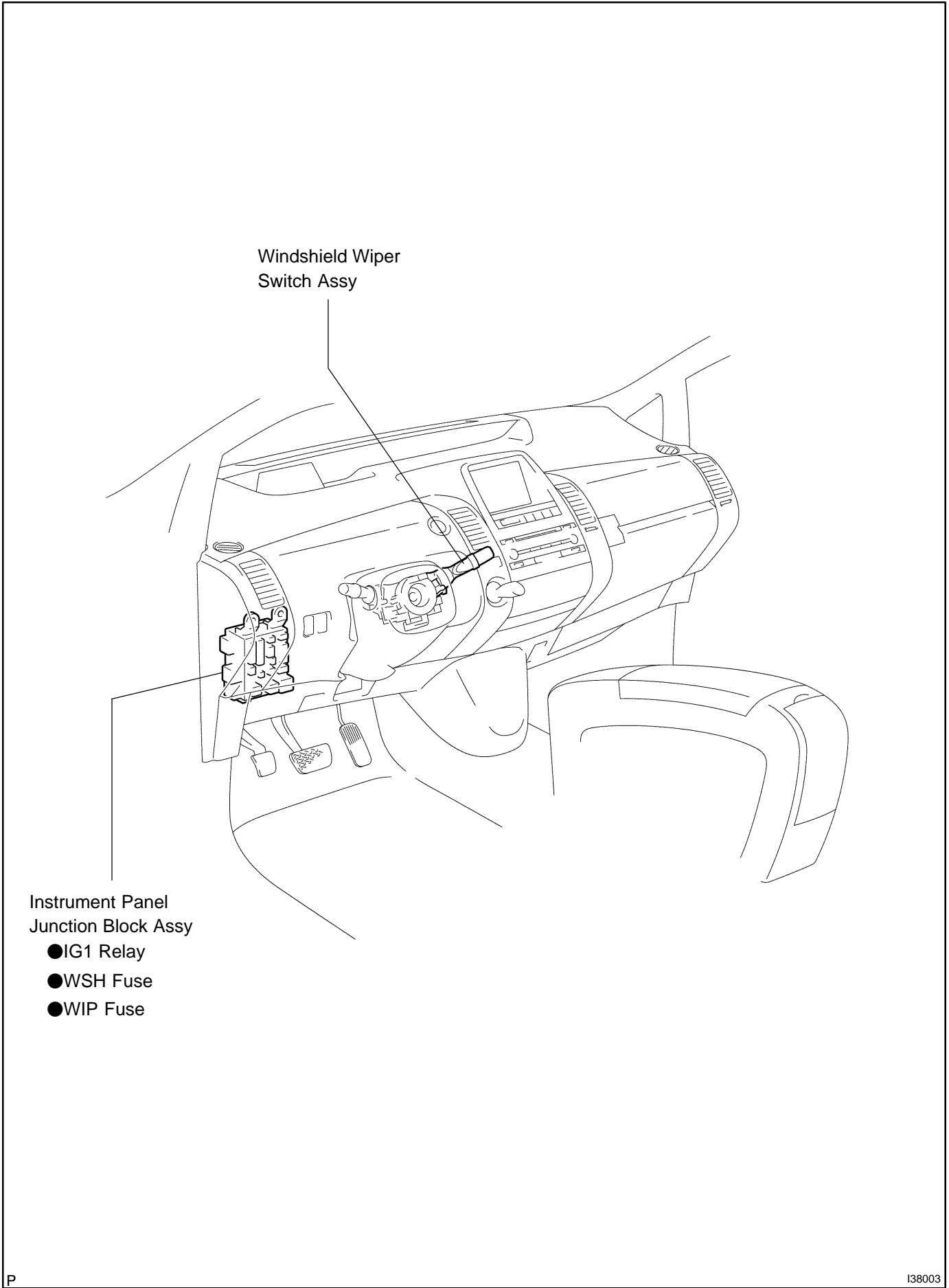


LOCATION





Windshield Wiper
Switch Assy

Instrument Panel
Junction Block Assy

- IG1 Relay
- WSH Fuse
- WIP Fuse

P

I38003