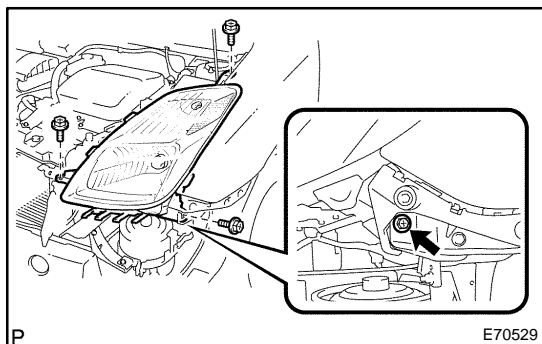


OVERHAUL

HINT:

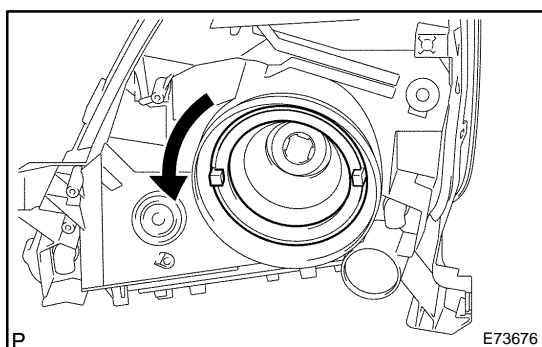
COMPONENTS: See page 65-11

1. REMOVE FRONT FENDER LINER LH (SEE PAGE 76-2)
2. REMOVE FRONT FENDER LINER RH
3. REMOVE FRONT BUMPER COVER (SEE PAGE 76-2)



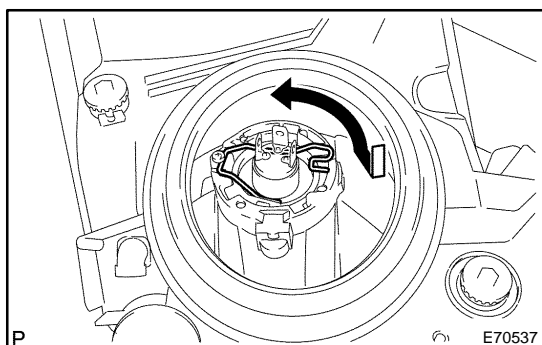
4. REMOVE HEADLAMP ASSY

- (a) Remove the 3 screws.
- (b) Pull the headlamp assy towards the front of the vehicle, disconnect all connectors and remove the headlamp assy.



5. REMOVE HEADLAMP, NO.1 BULB (HALOGEN HEAD LAMP)

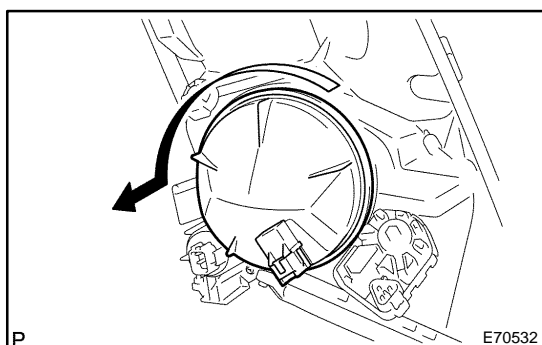
- (a) Turn the headlamp socket cover in the direction indicated by the arrow in the illustration to remove it.



- (b) Push the set spring in the direction indicated by the arrow in the illustration to remove the headlamp No.1 bulb.

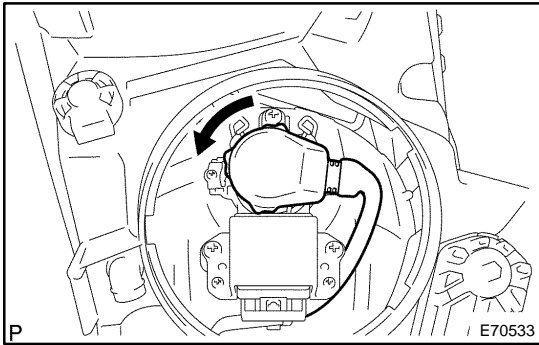
NOTICE:

Do not touch the bulb glass with your fingers.

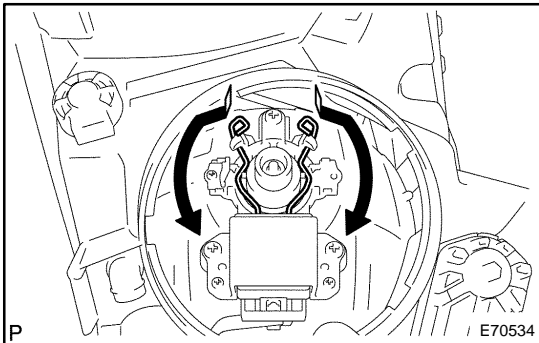


6. REMOVE DISCHARGE HEADLAMP BULB (DISCHARGE HEAD LAMP)

- (a) Turn the headlamp socket cover in the direction indicated by the arrow in the illustration to remove it.



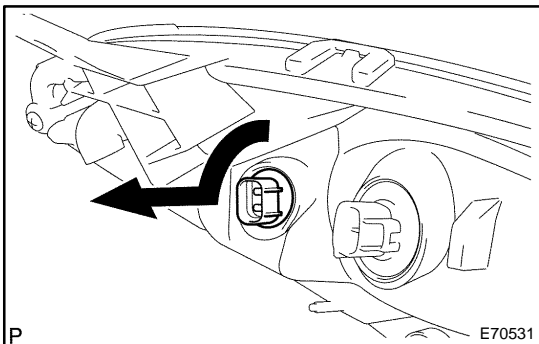
- (b) Turn the headlamp light control computer socket in the direction indicated by the arrow in the illustration to remove it.



- (c) Push the set spring in the direction indicated by the arrow in the illustration and remove the discharge headlamp bulb.

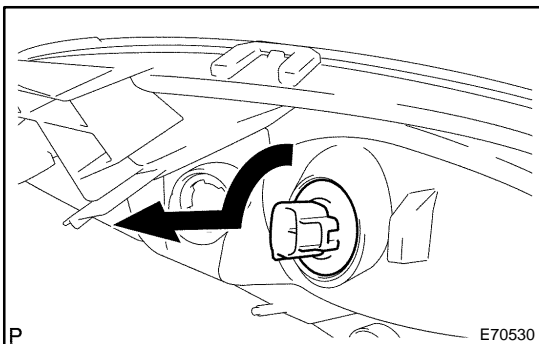
NOTICE:

Do not touch the bulb glass with your fingers.



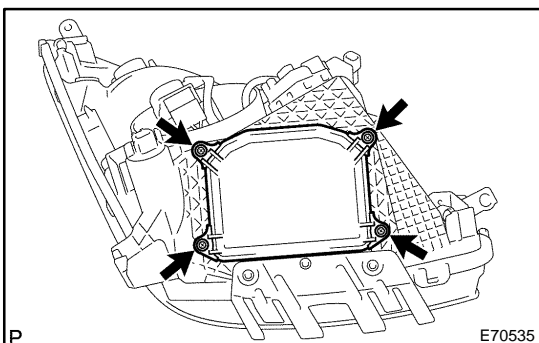
7. REMOVE CLEARANCE LAMP BULB

- (a) Turn the clearance lamp socket and bulb in the direction indicated by the arrow in the illustration to remove them.



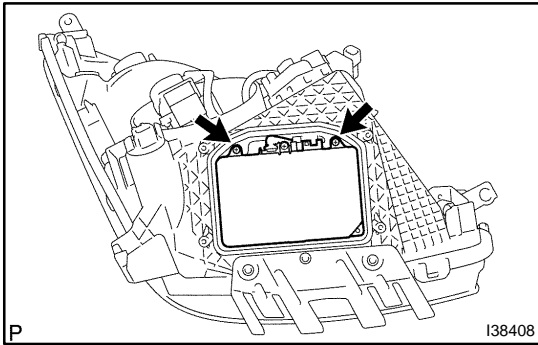
8. REMOVE FRONT TURN SIGNAL LAMP BULB

- (a) Rotate the front turn signal lamp socket and bulb in the direction indicated by the arrow in the illustration to remove them.

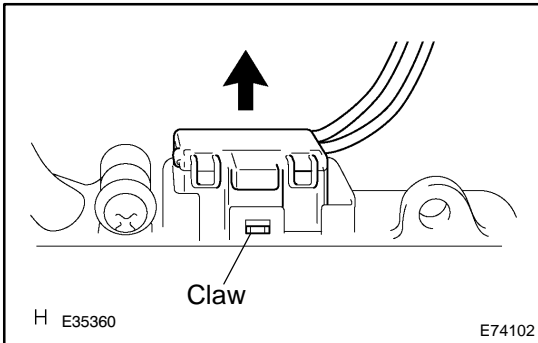


9. REMOVE HEADLAMP LIGHT CONTROL COMPUTER SUB-ASSY (DISCHARGE HEAD LAMP)

- (a) Remove the 4 screws, and then the headlamp cover and gasket.



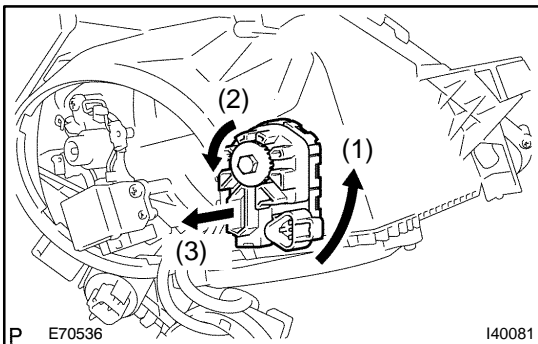
(b) Remove the 2 screws.



(c) Disengage the claw and disconnect the connector, and then remove the headlamp light control computer sub-assy.

HINT:

If the bulb socket cannot be removed due to interference with the reflector, turn the aiming screw counterclockwise, move the reflector, and then remove the bulb socket.



10. REMOVE HEADLAMP LEVELING MOTOR (DISCHARGE HEAD LAMP)

- (a) Rotate the headlamp leveling motor in the direction indicated by arrow (1) in the illustration to remove it.
- (b) Rotate the aiming screw on the headlamp leveling motor in the direction indicated by arrow (2) in the illustration and remove the shaft.
- (c) Pull the headlamp leveling motor towards you to remove it.

11. HEADLIGHT AIM ONLY (SEE PAGE 65-16)

12. ADJUST FOG LIGHT AIM (SEE PAGE 65-19)