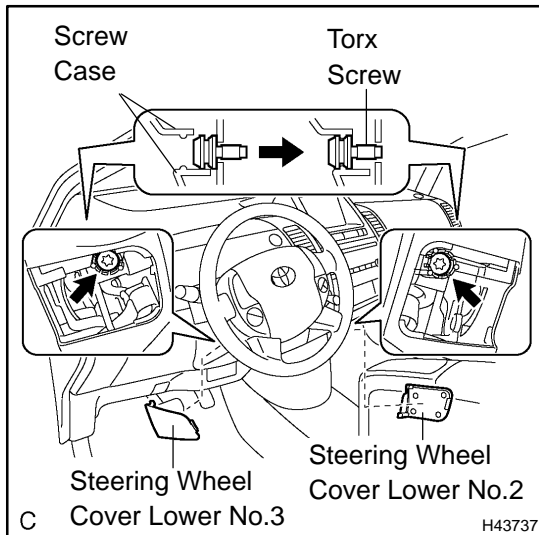


REPLACEMENT

HINT:

Installation is in the reverse order of removal.

1. **PRECAUTION (SEE PAGE 60-1)**
2. **DISCONNECT BATTERY NEGATIVE TERMINAL (SEE PAGE 60-1)**



3. **REMOVE STEERING WHEEL COVER LOWER NO.2**
 - (a) Using a screwdriver, remove the steering wheel cover lower No.2.

HINT:

Tape up the screwdriver tip before use.

4. **REMOVE STEERING WHEEL COVER LOWER NO.3**
 - (a) Using a screwdriver, remove the steering wheel cover lower No.3.

HINT:

Tape up the screwdriver tip before use.

5. **REMOVE HORN BUTTON ASSY**
 - (a) Place the front wheels facing straight ahead.
 - (b) Using a torx socket wrench (T30), loosen the 2 torx screws until the groove along the screw circumference catches on the screw case.
 - (c) Pull out the horn button assy from the steering wheel assy and support the horn button assy with one hand as shown in the illustration.

NOTICE:

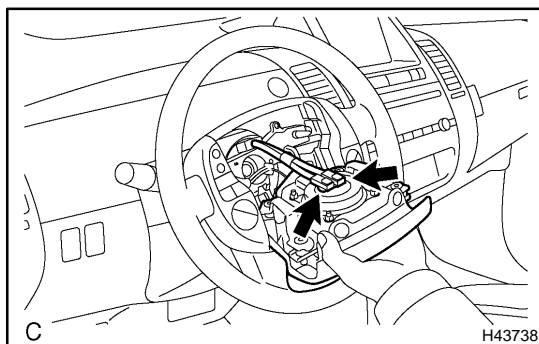
When removing the horn button assy, do not pull the airbag wire harness.

- (d) Disconnect the horn connector.
- (e) Disconnect the connectors from the horn button assy.

NOTICE:

When handling the airbag connector, take care not to damage the airbag wire harness.

- (f) Remove the horn button assy.



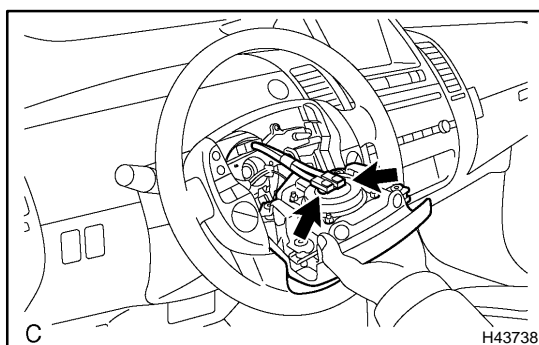
6. **INSTALL HORN BUTTON ASSY**

- (a) Support the horn button assy with one hand as shown in the illustration.
- (b) Connect the connectors to the horn button assy.

NOTICE:

When handling the airbag connector, take care not to damage the airbag wire harness.

- (c) Connect the horn connector.



- (d) Confirm that the circumference groove of the torx screw fits in the screw case, and place the horn button assy onto the steering wheel assy.
- (e) Using a torx socket wrench (T30), tighten the 2 torx screws.

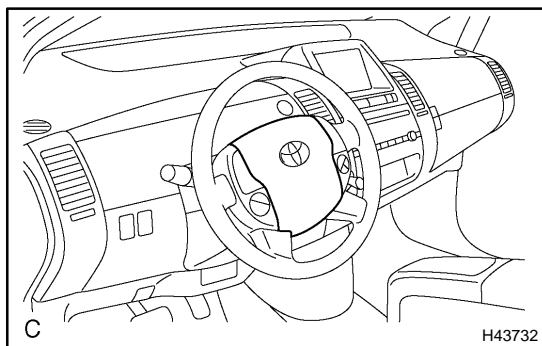
Torque: 8.8 N·m (90 kgf·cm, 78 in·lbf)

7. CONNECT BATTERY NEGATIVE TERMINAL

NOTICE:

When disconnecting the negative (-) battery terminal, initialize the following systems after the terminal is reconnected.

System Name	See Page
Power Window Control System	01-28



8. INSPECT HORN BUTTON ASSY

- (a) With the horn button assy installed on the vehicle, perform a visual check including the following:
Cuts, minute cracks or marked discoloration on the horn button assy top surface or in the grooved portion.
- (b) Make sure that the horn sounds.

HINT:

If the horn does not sound, inspect the horn system (see page [77-4](#)).

9. INSPECT SRS WARNING LIGHT (SEE PAGE [05-1397](#))