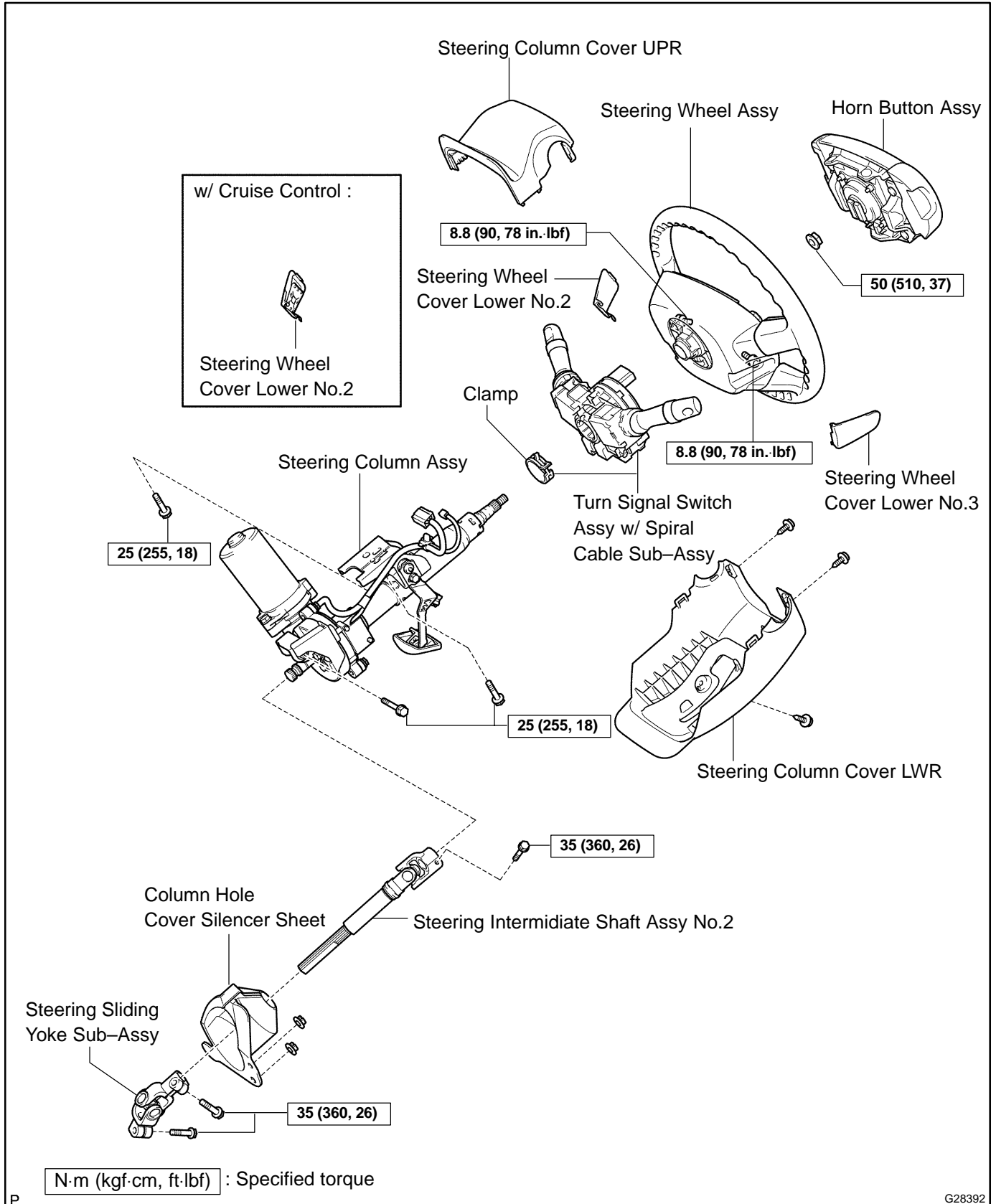


STEERING COLUMN ASSY COMPONENTS

50099-01



P

G28392

