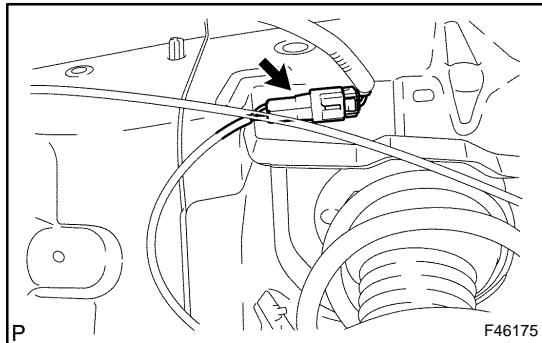


# FRONT SPEED SENSOR REPLACEMENT

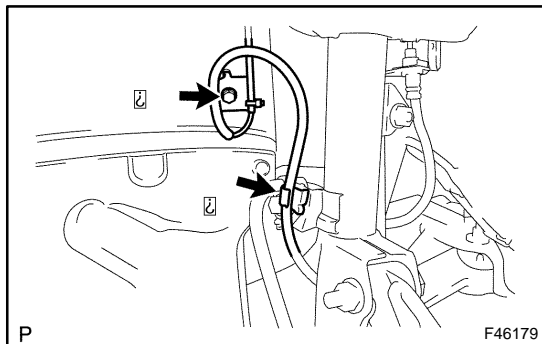
3215I-01

1. REMOVE FRONT WHEEL
2. REMOVE FRONT FENDER LINER



### 3. REMOVE FRONT SPEED SENSOR

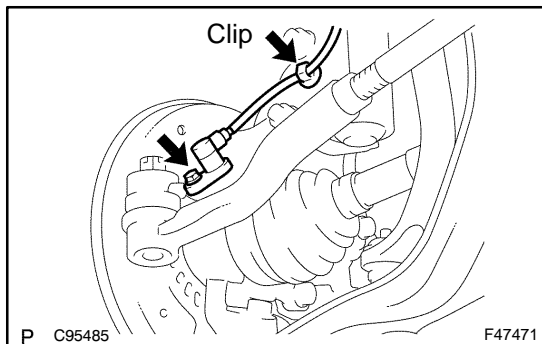
- (a) Disconnect the connector of the speed sensor front LH.



- (b) Remove the bolt A and the bolt B. Remove the speed sensor front clamps from the body and front shock absorber.

**HINT:**

The bolt B is tightened together with the brake flexible hose clamp.

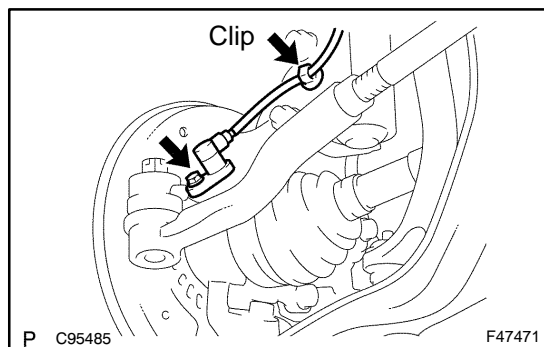


- (c) Remove the clip from the front shock absorber.

- (d) Remove the bolt and speed sensor front.

**NOTICE:**

Do not attach any foreign matter to the tip or connecting portion of the speed sensor front.



#### 4. INSTALL FRONT SPEED SENSOR

##### NOTICE:

Do not twist the speed sensor front wire harnesses during installation.

(a) Install the speed sensor front with the bolt.

**Torque: 8.0 N·m (82 kgf·cm, 71 in·lbf)**

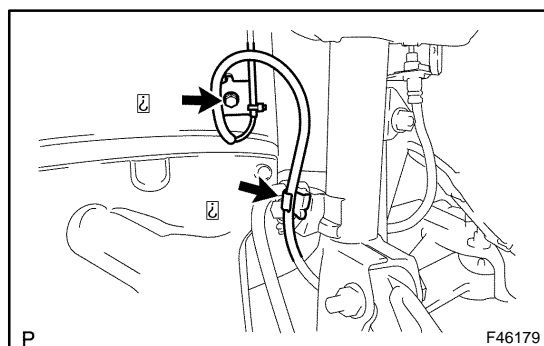
##### NOTICE:

Check that there is no foreign matter attached to the tip and connecting portion of the speed sensor front.

##### HINT:

Clean the connecting portion of the speed sensor front.

(b) Install the clip to the front shock absorber.



(c) Install the speed sensor front clamps to the body and front shock absorber with a bolt A and a bolt B.

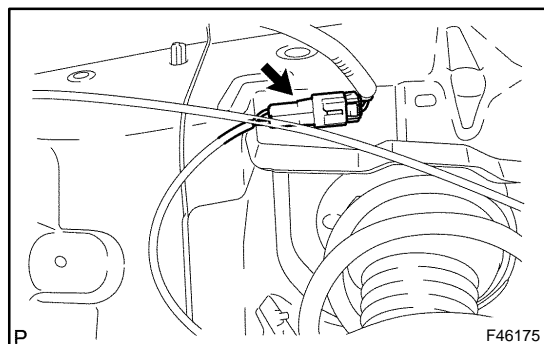
##### Torque:

**8.0 N·m (82 kgf·cm, 71 in·lbf) (bolt A)**

**19 N·m (192 kgf·cm, 14 ft·lbf) (bolt B)**

##### NOTICE:

Tighten the bolt B together with the brake flexible hose clamp and speed sensor front clamp. The brake flexible hose clamp should be placed above.



(d) Connect the connector of speed sensor front.

#### 5. INSTALL FRONT FENDER LINER

#### 6. INSTALL FRONT WHEEL

**Torque: 103 N·m (1,050 kgf·cm, 76 ft·lbf)**

#### 7. CHECK ABS SPEED SENSOR SIGNAL (SEE PAGE [05-961](#))