

REPLACEMENT

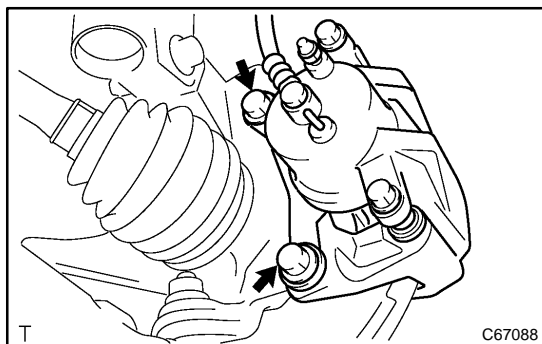
HINT:

Refer to components: See page 30-20

Use the same procedures for the RH side and LH side.

The procedures listed below are for the LH side.

1. **REMOVE FRONT WHEEL**
2. **REMOVE FRONT AXLE HUB LH NUT (SEE PAGE 30-7)**
SST 09930-00010
3. **SEPARATE SPEED SENSOR FRONT LH (SEE PAGE 30-7)**



4. **SEPARATE FRONT DISC BRAKE CALIPER ASSY LH**
 - (a) Remove the 2 bolts and separate the front disc brake caliper assy LH from the steering knuckle.

NOTICE:

Hang down the front disc brake caliper assy LH with a wire or such.

5. **REMOVE FRONT DISC**

NOTICE:

Ensure no oil attaches to the disc surface.

6. **SEPARATE TIE ROD END SUB-ASSY LH (SEE PAGE 30-7)**
SST 09628-62011
7. **SEPARATE FRONT SUSPENSION ARM SUB-ASSY LOWER NO.1 LH (SEE PAGE 30-7)**

8. **REMOVE FRONT AXLE ASSY LH**

- (a) Using a plastic hammer, tap the end of the front drive shaft assy LH and disengage the fitting between the front drive shaft assy LH and front axle assy LH.

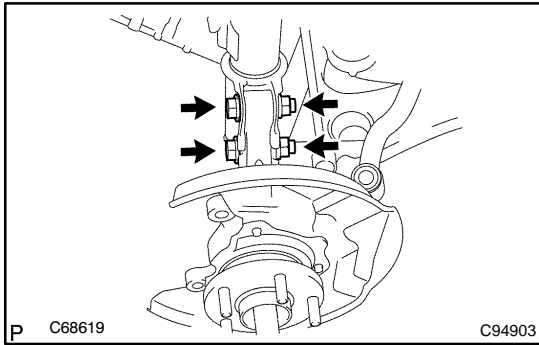
HINT:

If it is difficult to disengage, tap the end of the front drive shaft assy LH with a brass bar and a hammer.

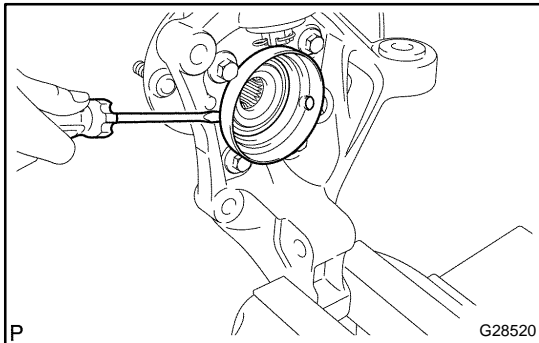
- (b) Push the front axle assy LH outward from the vehicle to remove the front drive shaft assy LH from the front axle assy LH.

NOTICE:

- Be careful not to push the front axle assy LH outward from the vehicle more than is necessary to remove it.
- Be careful not to damage the drive shaft outboard joint boot.
- Be careful not to damage the speed sensor rotor.
- Hang the front drive shaft assy LH down with a string or such.



- (c) Remove the 2 bolts and 2 nuts to remove the front axle assy LH from the front shock absorber.

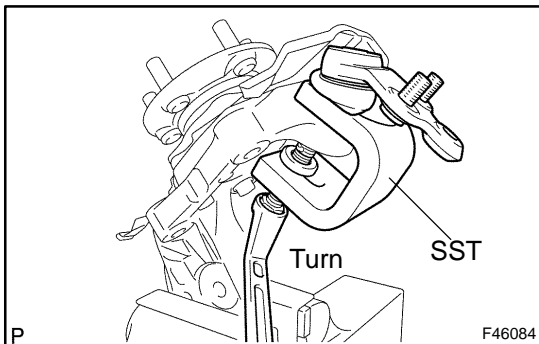


9. REMOVE FRONT WHEEL BEARING DUST DEFLECTOR NO.1 LH

- (a) Mount the steering knuckle in a soft vise.
 (b) Using a penetration screwdriver, remove the deflector from the steering knuckle.

NOTICE:

Be careful not to damage the steering knuckle.

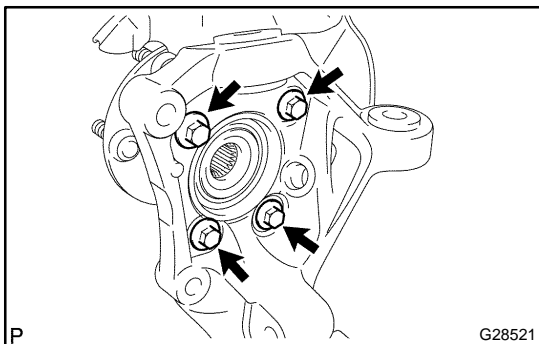


10. REMOVE JOINT ASSY, LWR BALL

- (a) Remove the clip and castle nut.
 (b) Using SST, remove the front lower ball joint assy LH.
 SST 09611-36020

NOTICE:

- Do not damage the steering knuckle.
- Securely hang the SST to the spacer of the steering knuckle.
- Replace the steering knuckle with a new one if the spacer comes off the steering knuckle.



11. REMOVE FRONT AXLE HUB SUB-ASSY LH

- (a) Remove the 4 bolts to dust cover and front axle hub.

12. INSTALL FRONT AXLE HUB SUB-ASSY LH

- (a) Install the front axle hub and dust cover with 4 bolts.

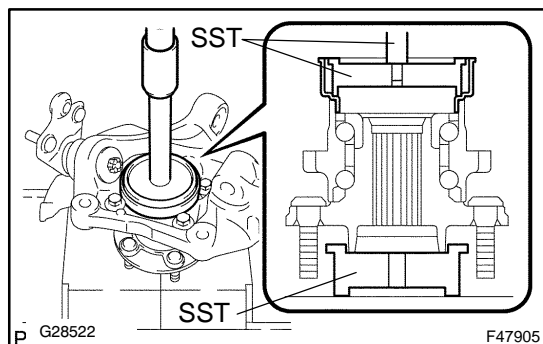
Torque: 56 N·m (571 kgf·cm, 41 ft·lbf)

13. INSTALL JOINT ASSY, LWR BALL

- (a) Install the front lower ball joint assy LH to the steering knuckle and tighten with a castle nut.
Torque: 71 N·m (724 kgf·cm, 52 ft·lbf)

NOTICE:

- Be careful that grease does not adhere to the threads or tapered part.
 - Clip hole alignment should be done after tightening the castle nut up to 60 degrees beyond torque.
- (b) Install a new clip.

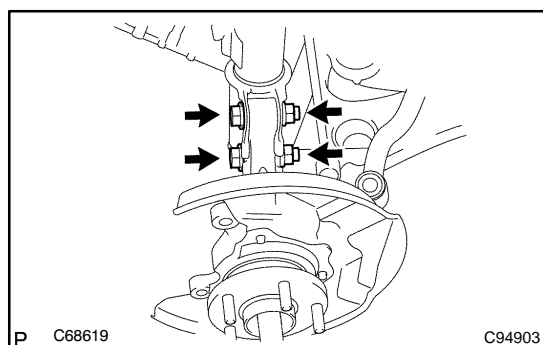


14. INSTALL FRONT WHEEL BEARING DUST DEFLECTOR NO.1 LH

- (a) Using SST and a press, install a new dust deflector LH.
SST 09950-70010 (09951-07150), 09608-32010,
09950-60020 (09951-00720)

NOTICE:

Align the dust deflector hole and the steering knuckle hole and install them.



15. INSTALL FRONT AXLE ASSY LH

- (a) Install the front axle assy LH to the shock absorber, insert 2 bolts from the front of the vehicle and tighten the 2 nuts.
Torque: 153 N·m (1,560 kgf·cm, 113 ft·lbf)

NOTICE:

Apply engine oil to the nut threads or the sitting surface, only when reuse the bolt and nuts.

- (b) Push the front axle assy LH outward of the vehicle to engage the spline of the front drive shaft assy LH and insert it to the front axle assy LH.

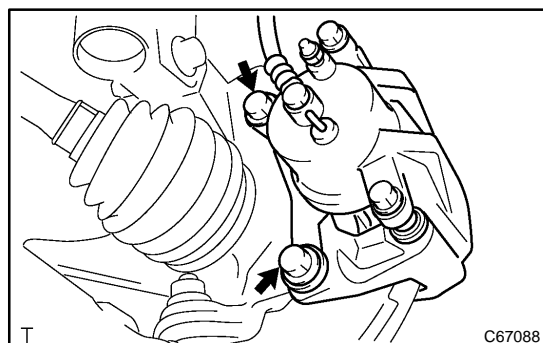
NOTICE:

- Be careful not to push the front axle assy LH outward from the vehicle more than is necessary to remove it.
- Be careful not to damage the drive shaft outboard joint boot.
- Be careful not to damage the speed sensor rotor.
- Check for any foreign matter on the speed sensor rotor and insertion part.

16. INSTALL FRONT SUSPENSION ARM SUB-ASSY LOWER NO.1 LH (SEE PAGE 30-7)

17. INSTALL TIE ROD END SUB-ASSY LH (SEE PAGE 30-7)

18. INSTALL FRONT DISC



19. INSTALL FRONT DISC BRAKE CALIPER ASSY LH

- (a) Install the front disc brake caliper assy LH to the steering knuckle with 2 bolts.
Torque: 109 N·m (1,114 kgf·cm, 81 ft·lbf)

20. INSTALL FRONT AXLE HUB LH NUT

- (a) Using a 30 mm socket wrench, install a new front axle hub LH nut.

Torque: 216 N·m (2,200 kgf·cm, 159 ft·lbf)

21. SEPARATE FRONT DISC BRAKE CALIPER ASSY LH

22. REMOVE FRONT DISC

23. **INSPECT AXLE HUB BEARING LOOSENESS (SEE PAGE 30-2)**
24. **INSPECT AXLE HUB BEARING RUNOUT (SEE PAGE 30-2)**
25. **INSTALL FRONT DISC (SEE PAGE 32-35)**

HINT:

Select the installation position where the front disc runout becomes minimum when installing the front disc (refer to procedure)

26. **INSTALL FRONT DISC BRAKE CALIPER ASSY LH**
Torque: 109 N·m (1,114 kgf·cm, 81 ft·lbf)
27. **INSTALL SPEED SENSOR FRONT LH (SEE PAGE 30-7)**
28. **INSTALL FRONT AXLE HUB LH NUT**
 - (a) Using a chisel and a hammer, stake the front axle hub LH nut.
29. **INSTALL FRONT WHEEL**
Torque: 103 N·m (1,050 kgf·cm, 76 ft·lbf)
30. **INSPECT AND ADJUST FRONT WHEEL ALIGNMENT (SEE PAGE 26-6)**
31. **CHECK ABS SPEED SENSOR SIGNAL (SEE PAGE 05-961)**