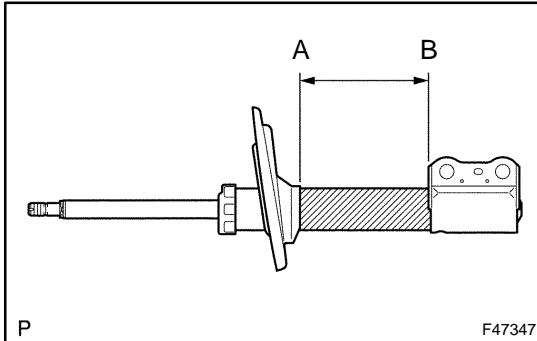


DISPOSAL

HINT:

Dispose of the RH side following the same procedures as with the LH side.



1. **DISPOSE OF SHOCK ABSORBER ASSY FRONT LH**
 - (a) Fully extend the shock absorber rod.
 - (b) Using a drill, make a hole in the cylinder between A and B as shown in the illustration to discharge the gas inside.

CAUTION:

- **Be careful when drilling because shards of metal may fly about, so always use the proper safety equipment.**
- **The gas is colorless, odorless and non-poisonous.**