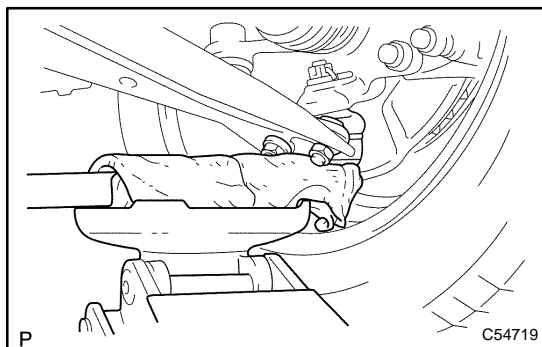


# LOWER BALL JOINT ASSY FRONT LH REPLACEMENT

26019-01

## HINT:

- COMPONENTS: See page 26-3
- Use the same procedures for the RH side and LH side.
- The procedures listed below are for the LH side.



## 1. INSPECT LOWER BALL JOINT ASSY FRONT LH

- (a) Jack up the front part of the vehicle.
- (b) Move the front suspension arm sub-assy lower No.1 up and down to check vertical looseness of the lower ball joint assy front.

## HINT:

Wrap a cloth around the wooden block to prevent damage to the bolt and nuts.

## 2. REMOVE FRONT WHEEL

## 3. REMOVE FRONT AXLE HUB LH NUT (SEE PAGE 30-7)

SST 09930-00010

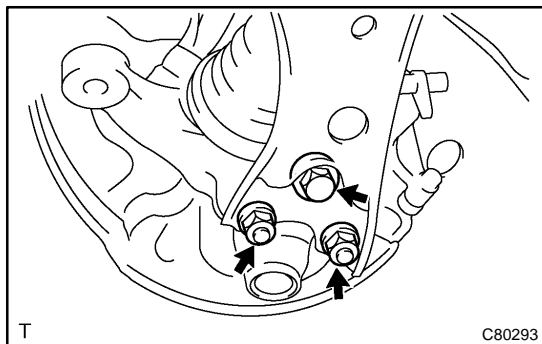
## 4. SEPARATE SPEED SENSOR FRONT LH (SEE PAGE 30-7)

## 5. SEPARATE FRONT DISC BRAKE CALIPER ASSY LH (SEE PAGE 30-21)

## 6. REMOVE FRONT DISC(SEE PAGE 30-21)

## 7. SEPARATE TIE ROD END SUB-ASSY LH (SEE PAGE 30-7)

SST 09628-62011

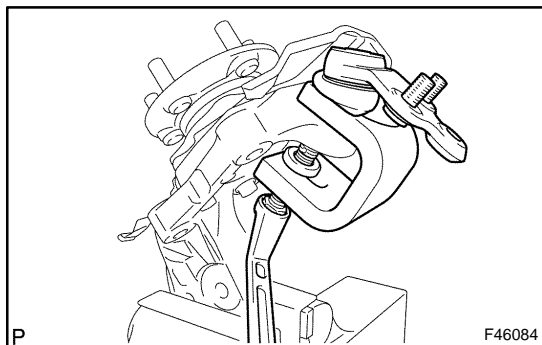


## 8. SEPARATE FRONT SUSPENSION ARM SUB-ASSY LOWER NO.1 LH

- (a) Remove the bolt and the 2 nuts.
- (b) Lower the front suspension arm sub-assy lower No.1 LH and separate it from the front lower ball joint assy.

## 9. REMOVE FRONT AXLE ASSY LH (SEE PAGE 30-21)

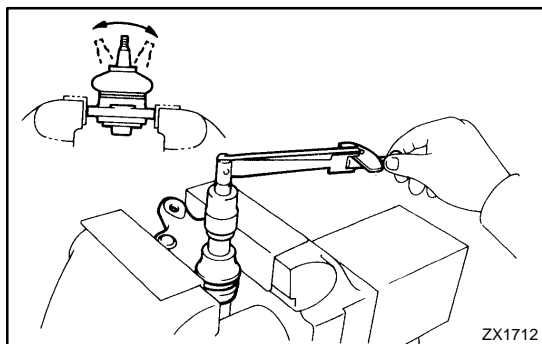
## 10. REMOVE FRONT WHEEL BEARING DUST DEFLECTOR NO.1 LH (SEE PAGE 30-21)

**11. REMOVE LOWER BALL JOINT ASSY FRONT LH**

- (a) Remove the clip and the castle nuts.
- (b) Using SST, remove the lower ball joint assy front.  
SST 09611-36020

**NOTICE:**

- Do not damage the steering knuckle.
- Securely hang the SST to the spacer of the steering knuckle.
- Replace the steering knuckle with a new one if the spacer comes off the steering knuckle.

**12. INSPECT LOWER BALL JOINT ASSY FRONT LH**

- (a) Flip the ball joint stud back and forth 5 times as shown in the illustration before installing the nut.
- (b) Use a torque wrench to turn the nut continuously at a rate of 3 to 5 seconds per turn. Take the torque reading on the 5th turn.

**Turning torque:**

**0.98 to 4.90 N·m (10 to 50 kgf·cm, 8.7 to 43 in.-lbf)**

- (c) Check the dust boots for cracks or grease leakage.  
If the value is not within the specified range, replace the lower ball joint assy with a new one.

**13. INSTALL LOWER BALL JOINT ASSY FRONT LH**

- (a) Install the lower ball joint assy front LH to the steering knuckle with the castle nut.

**NOTICE:**

Ensure that the thread and taper are free of oil etc.

**Torque: 71 N·m (724 kgf·cm, 52 ft·lbf)**

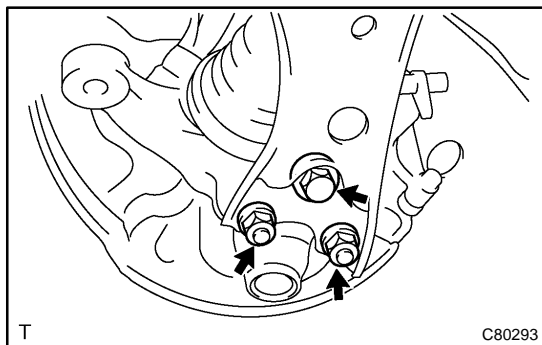
**NOTICE:**

Further tighten the nut up to 60° if the holes for the cotter pin are not aligned.

- (b) Install a new clip to the steering knuckle.

**14. INSTALL FRONT WHEEL BEARING DUST DEFLECTOR NO.1 LH (SEE PAGE 30-21)**

SST 09950-70010 (09951-07150), 09608-32010

**15. INSTALL FRONT AXLE ASSY LH (SEE PAGE 30-21)****16. INSTALL FRONT SUSPENSION ARM SUB-ASSY LOWER NO.1 LH**

- (a) Lower the front suspension arm sub-assy lower No.1 LH and install the lower ball joint assy front to the front suspension arm sub-assy lower No.1 LH with the bolt and the 2 nuts.

**Torque: 89 N·m (908 kgf·cm, 66 ft·lbf)**

**17. INSTALL TIE ROD END SUB-ASSY LH (SEE PAGE 30-7)****18. INSTALL FRONT DISC****19. INSTALL FRONT DISC BRAKE CALIPER ASSY LH (SEE PAGE 30-21)****20. INSTALL SPEED SENSOR FRONT LH (SEE PAGE 30-7)****21. INSTALL FRONT AXLE HUB LH NUT (SEE PAGE 30-7)**

**22. INSTALL FRONT WHEEL**

Torque: 103 N·m (1,050 kgf·cm, 76 ft·lbf)

**23. INSPECT AND ADJUST FRONT WHEEL ALIGNMENT (SEE PAGE [26-6](#))****24. CHECK ABS SPEED SENSOR SIGNAL (SEE PAGE [05-961](#))**