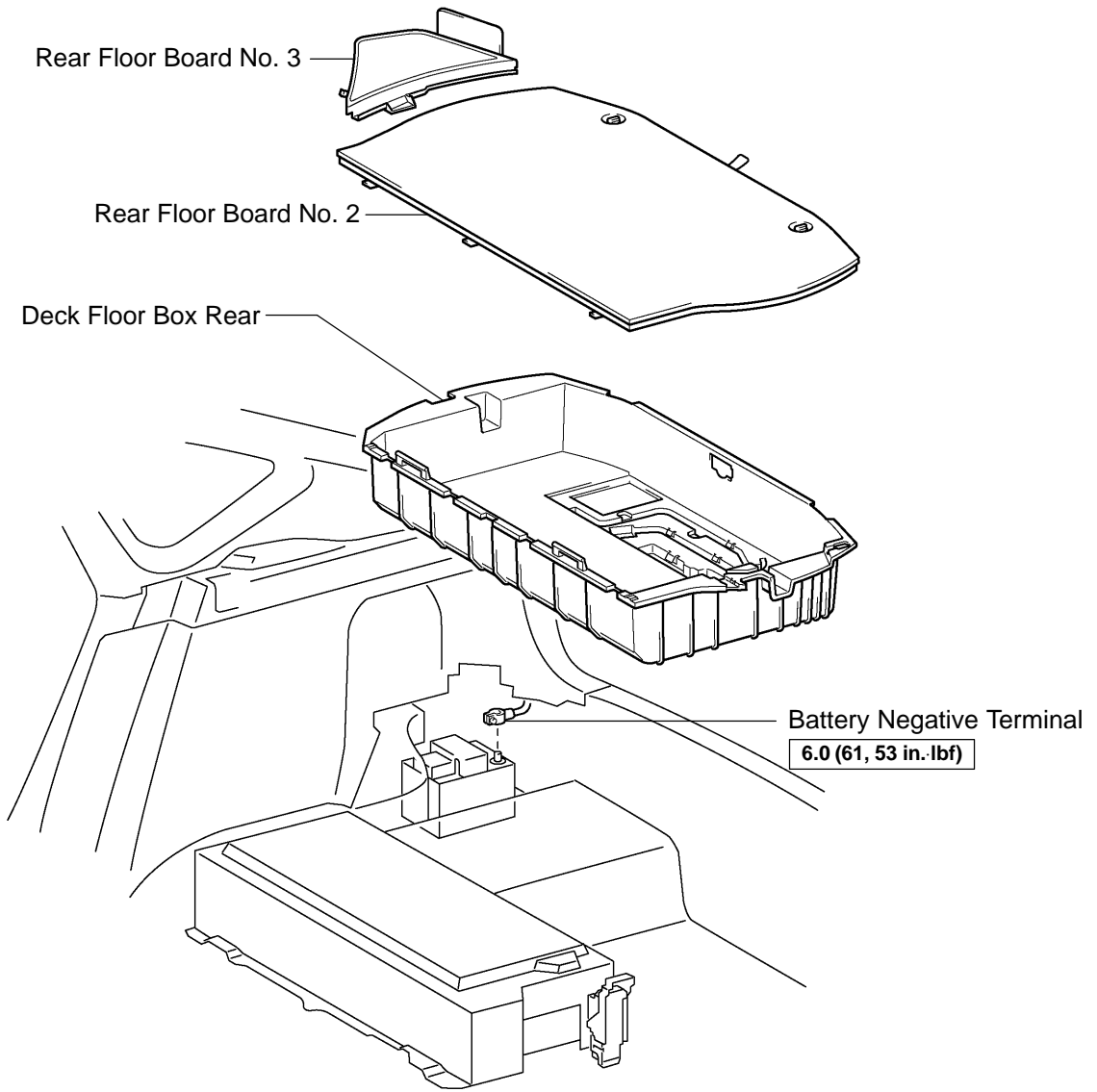


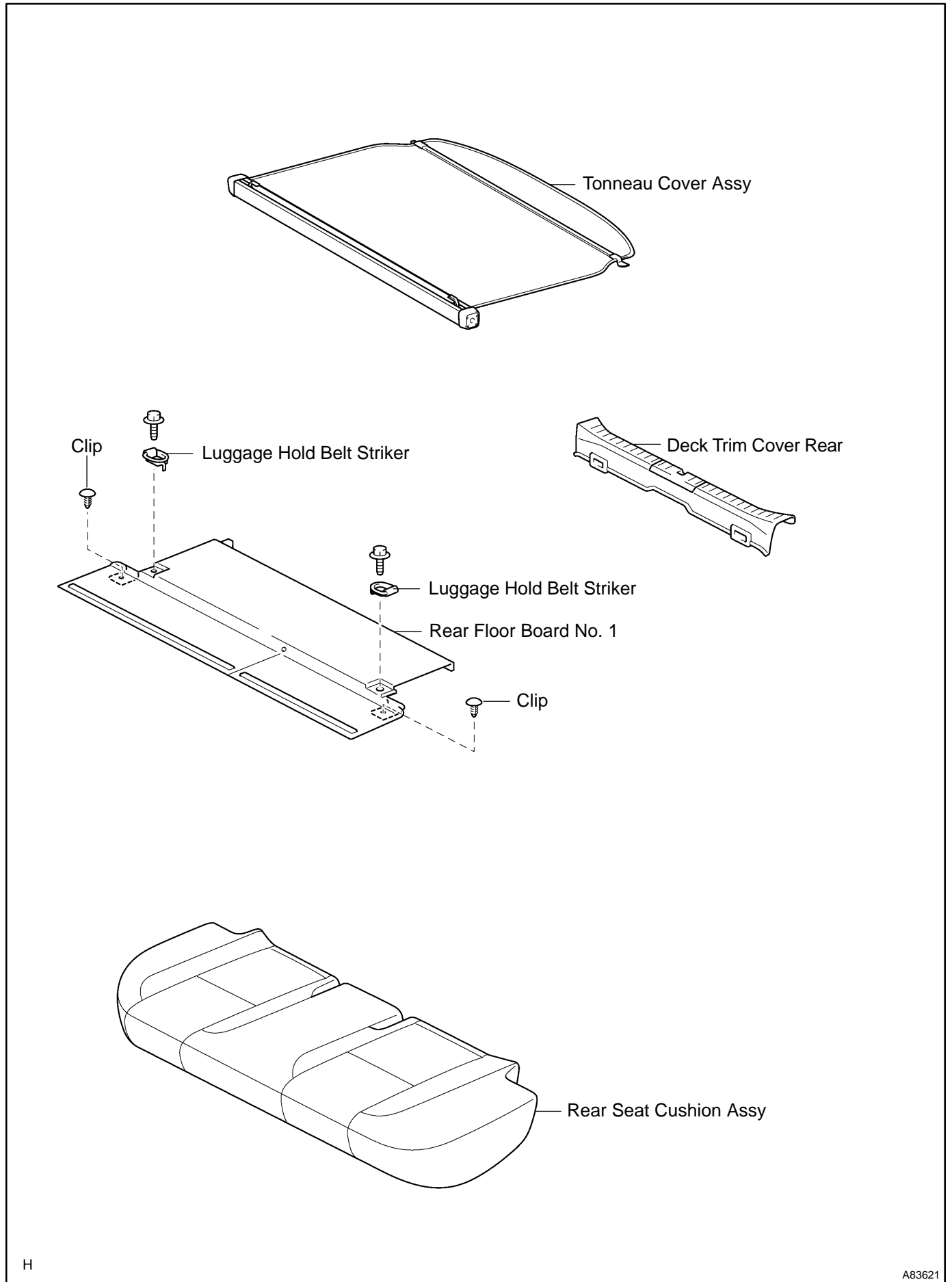
BATTERY BLOWER ASSY COMPONENTS

21042-01



○ N·m (kgf·cm, ft·lbf) : Specified torque

A83655



H

A83621

