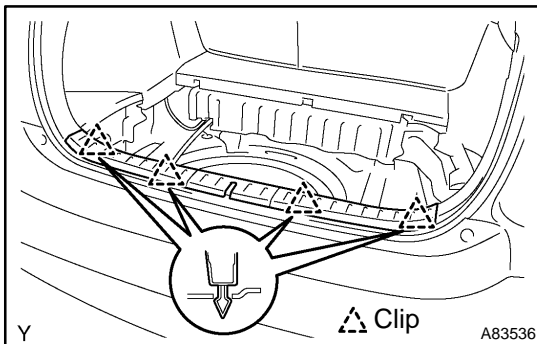


## Removal & Installation and Disassembly & Reassembly

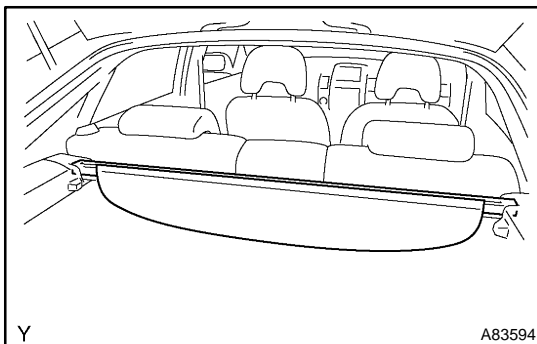
### NOTICE:

- When working on the high voltage systems, always wear insulating gloves.
  - After removing the service plug grip, do not operate the power switch as it may damage the hybrid vehicle control ECU.
  - Keep the removed service plug in your pocket to prevent other technicians from reconnecting it while you are servicing the vehicle.
  - After removing the service plug grip, do not touch the high voltage connectors and terminals for 5 minutes.
1. **PRECAUTION** (See page 21-7)
  2. **REMOVE REAR FLOOR BOARD NO.2** (See page 21-116)
  3. **REMOVE DECK FLOOR BOX REAR** (See page 21-116)
  4. **REMOVE REAR FLOOR BOARD NO.3** (See page 21-116)
  5. **DISCONNECT BATTERY NEGATIVE TERMINAL** (See page 21-116)
  6. **REMOVE SERVICE PLUG GRIP** (See page 21-116)

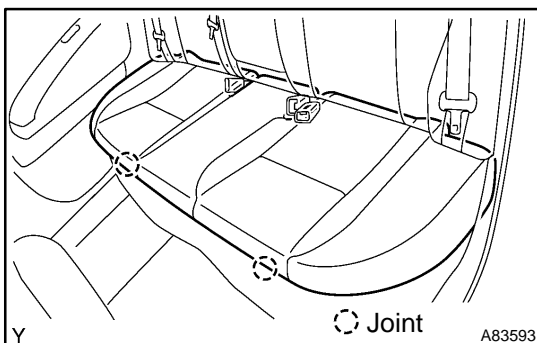


### 7. REMOVE DECK TRIM COVER REAR

- (a) Disconnect the 4 clips shown in the illustration, then remove the deck trim cover rear.

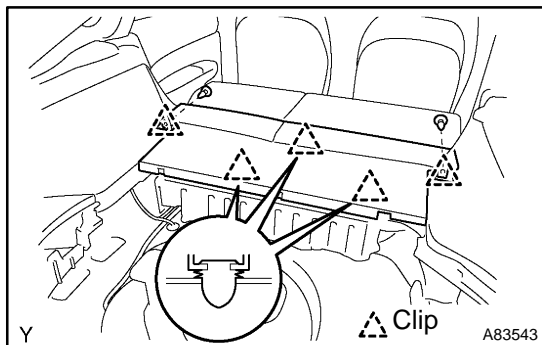


### 8. REMOVE TONNEAU COVER ASSY

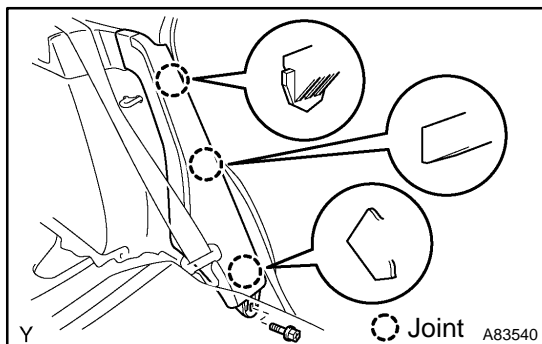


### 9. REMOVE REAR SEAT CUSHION ASSY

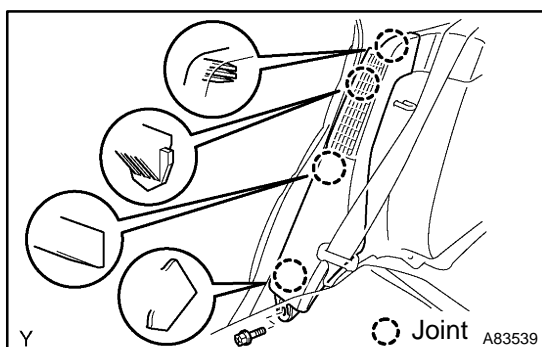
- (a) Undo the 2 joints shown in the illustration, then remove the rear seat cushion.

**10. REMOVE REAR FLOOR BOARD NO.1**

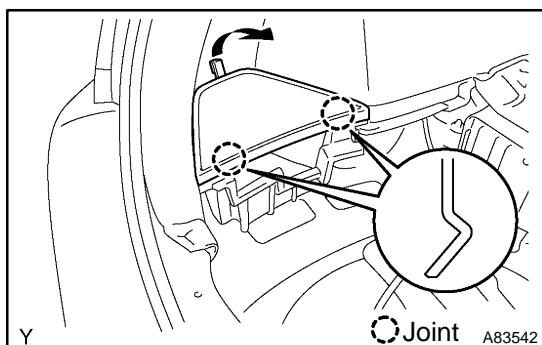
- (a) Remove the 2 bolts and luggage hold belt strikers.
- (b) Remove the 5 clips shown in the illustration and the rear floor board No. 1.

**11. REMOVE REAR SIDE SEAT BACK FRAME LH**

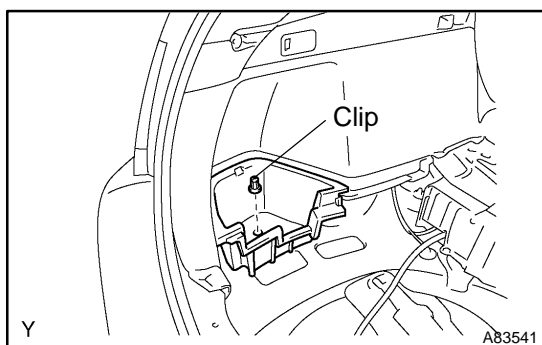
- (a) Remove the bolt from the rear side seat back frame LH.
- (b) Undo the 3 joints, then remove the rear side seat back frame LH.

**12. REMOVE REAR SIDE SEAT BACK FRAME RH**

- (a) Remove the bolt from the rear side seat back frame RH.
- (b) Undo the 4 joints, then remove the rear side seat back frame RH.

**13. REMOVE REAR FLOOR BOARD NO.4**

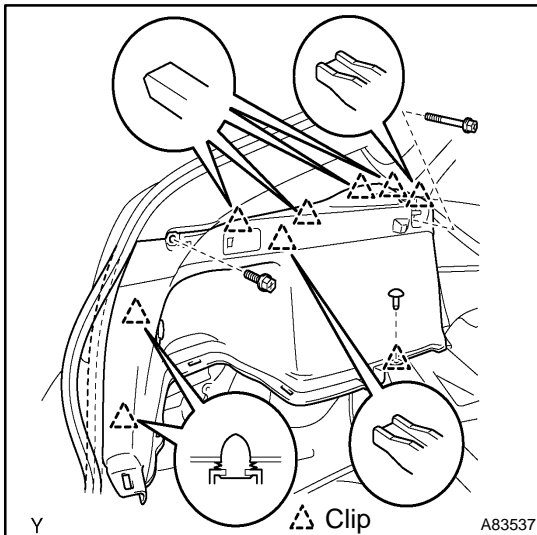
- (a) As shown in the illustration, while lifting up the rear floor board No. 4, undo the 2 joints and remove the rear floor board No. 4.

**14. REMOVE DECK FLOOR BOX LH**

- (a) Remove the clip and deck floor box LH.

**15. REMOVE DECK TRIM SIDE PANEL ASSY LH**

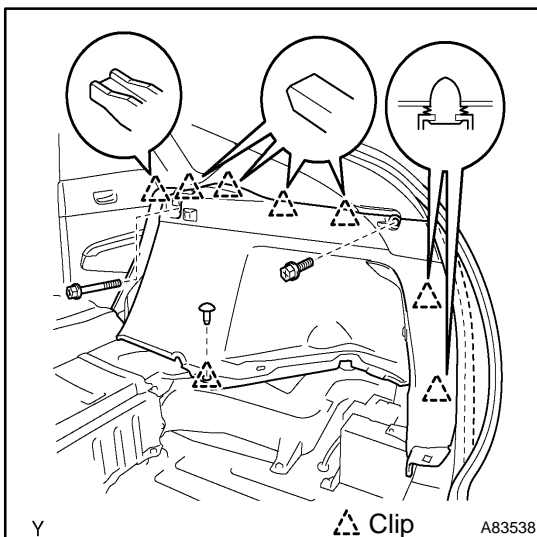
- (a) Remove the bolt and luggage hold belt striker assembly.



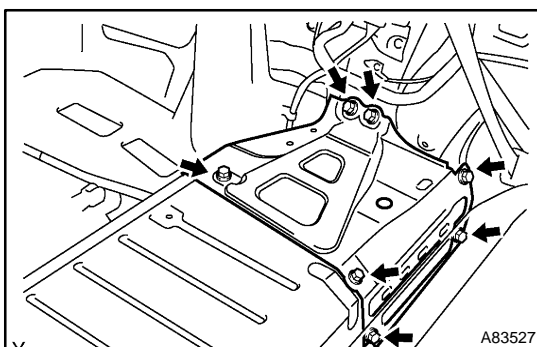
- (b) Remove the 2 bolts from the deck trim side panel assembly LH.
- (c) Remove the clip from the deck trim side panel assembly LH.
- (d) Undo the 8 clips, then pull out a part of the weather strip and remove the deck trim side panel assembly LH.
- (e) Disconnect the lighting connector.

#### 16. REMOVE DECK TRIM SIDE PANEL ASSY RH

- (a) Remove the bolt and luggage hold belt striker assembly.

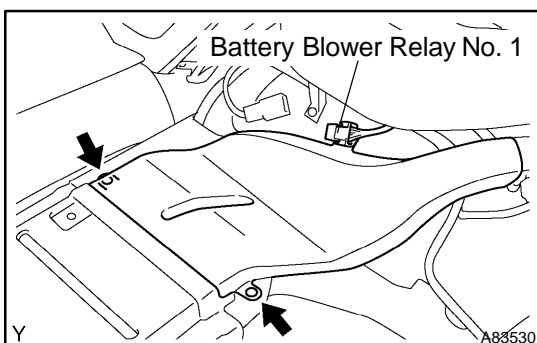


- (b) Remove the 2 bolts from the deck trim side panel assembly RH.
- (c) Remove the clip from the deck trim side panel assembly RH.
- (d) Undo the 7 clips, then pull out a part of the weather strip and remove the deck trim side panel assembly RH.



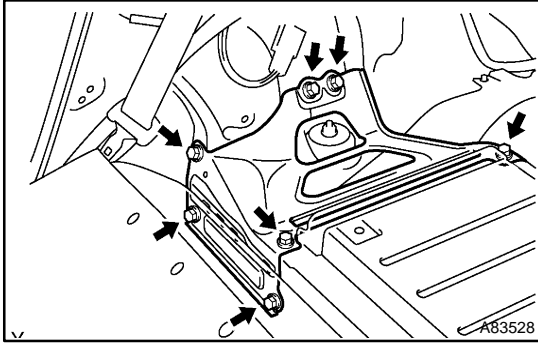
#### 17. REMOVE BATTERY CARRIER BRACKET

- (a) Remove the 7 bolts and battery carrier bracket.

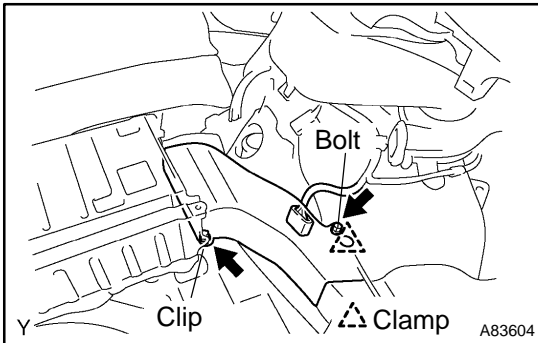


#### 18. REMOVE QUARTER VENT DUCT INNER NO.2

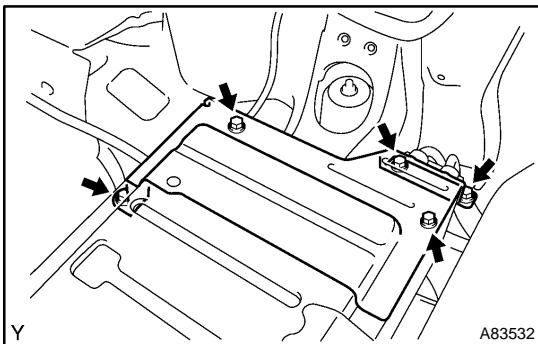
- (a) Disconnect the clamp and battery blower relay No. 1.
- (b) Remove the 2 clips.
- (c) Slide the ventilation inner duct No. 2 to the battery side, then remove it.

**19. REMOVE BATTERY BRACKET REINFORCEMENT**

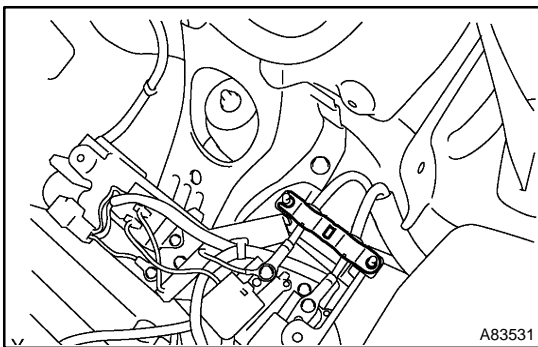
- (a) Remove the 7 bolts and battery bracket reinforcement.

**20. REMOVE QUARTER VENT DUCT**

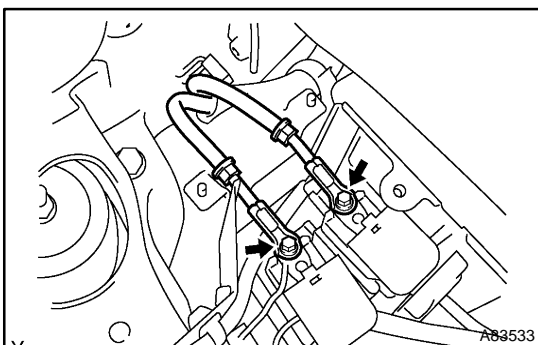
- (a) Disconnect the connector.  
 (b) Remove the clamp, then disconnect the wire harness.  
 (c) Remove the bolt, clip and quarter ventilator duct.

**21. REMOVE BATTERY CARRIER PANEL NO.6**

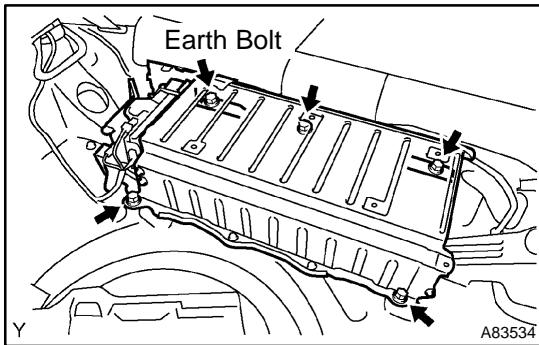
- (a) Remove the 3 bolts, 2 nuts and battery carrier panel No. 6.

**22. REMOVE JUNCTION TERMINAL****NOTICE:**

Wear insulating gloves.

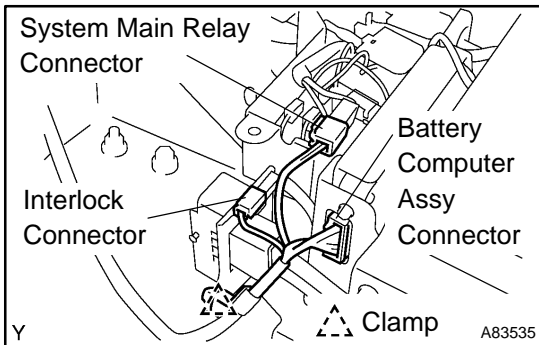
**23. REMOVE FRAME WIRE****NOTICE:**

- Wear insulating gloves.
  - Insulate the removed terminals with insulating tape.
- (a) Remove the 2 nuts, then disconnect the frame wire from the system main relay No. 2 and No. 3.



## 24. REMOVE HV BATTERY ASSY

- (a) Remove the earth bolt and 4 bolts shown in the illustration.



- (b) Disconnect the system main relay connector.

**NOTICE:**

**Wear insulating gloves.**

- (c) Disconnect the interlock connector.

**NOTICE:**

**Wear insulating gloves.**

- (d) Remove the clamp, then disconnect the battery ECU connector.

**NOTICE:**

**Wear insulating gloves.**

- (e) Disconnect the battery room ventilation hose from the floor panel.

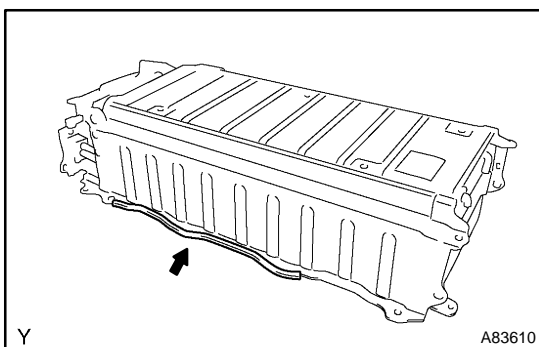
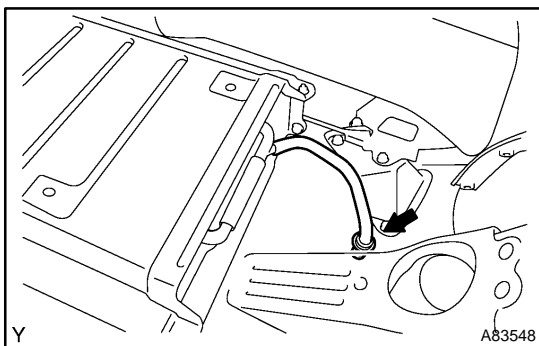
**NOTICE:**

**Wear protective glasses.**

- (f) Remove the HV battery.

**NOTICE:**

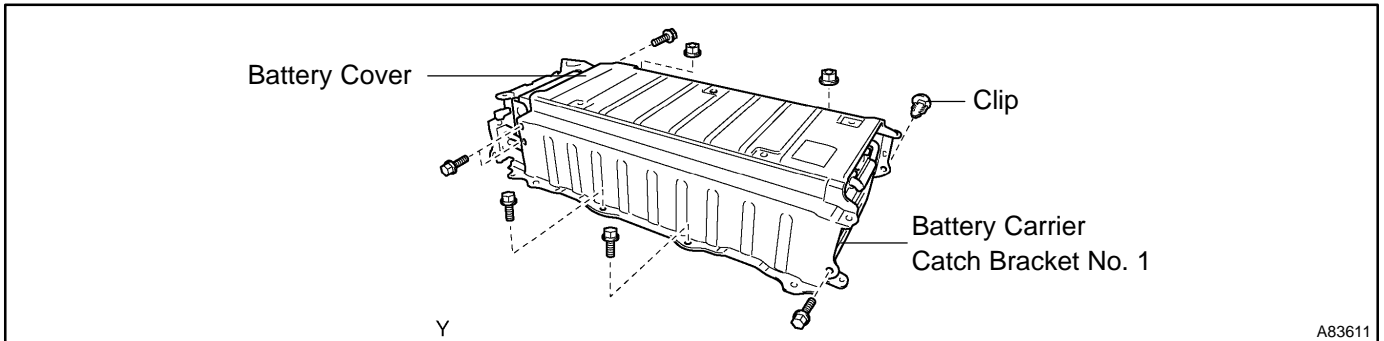
**Wear insulating gloves.**



## 25. REMOVE BATTERY COVER SUB-ASSY

- (a) Remove the protector shown in the illustration.

- (b) Remove the 6 bolts, 2 nuts, clip, battery cover and battery carrier catch bracket No. 1.



**26. REMOVE WIRING HARNESS PROTECTOR COVER NO.1 (See page 21-66)**

**NOTICE:**

Wear insulating gloves.

**27. REMOVE WIRING HARNESS PROTECTOR COVER NO.3 (See page 21-66)**

**NOTICE:**

Wear insulating gloves.

**28. REMOVE BATTERY CARRIER CUSHION NO.3 (See page 21-66)**

**NOTICE:**

Wear insulating gloves.

**29. REMOVE MAIN BATTERY CABLE (See page 21-66)**

**NOTICE:**

Wear insulating gloves.

**30. REMOVE MAIN BATTERY CABLE NO.2 (See page 21-66)**

**NOTICE:**

Wear insulating gloves.

**31. REMOVE BATTERY CURRENT SENSOR (See page 21-95)**

**NOTICE:**

Wear insulating gloves.

**32. REMOVE WIRING HARNESS PROTECTOR COVER NO.2 (See page 21-80)**

**NOTICE:**

Wear insulating gloves.

**33. REMOVE WIRING HARNESS PROTECTOR COVER NO.4 (See page 21-80)**

**NOTICE:**

Wear insulating gloves.

**34. REMOVE BATTERY CLAMP PAD (See page 21-77)**

**NOTICE:**

Wear insulating gloves.

**35. REMOVE WIRING HARNESS PROTECTOR COVER NO.1 (See page 21-77)**

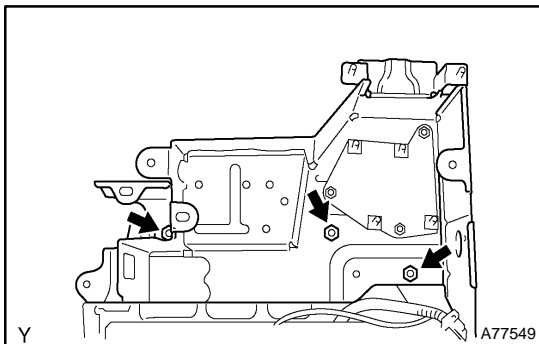
**NOTICE:**

Wear insulating gloves.

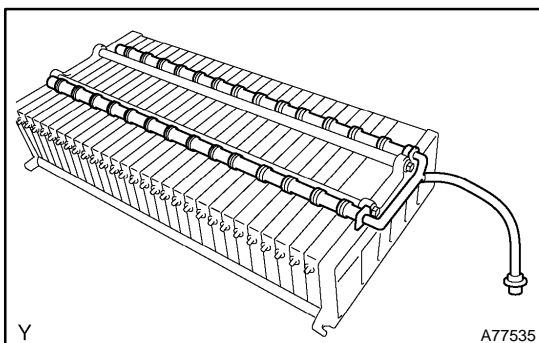
**36. REMOVE BATTERY PLUG (See page 21-77)**

**NOTICE:**

Wear insulating gloves.

**37. REMOVE JUNCTION BLOCK ASSY (See page 21-80)****NOTICE:****Wear insulating gloves.****38. REMOVE SYSTEM MAIN RELAY NO.2 (See page 21-87)****NOTICE:****Wear insulating gloves.****39. REMOVE SYSTEM MAIN RELAY NO.3 (See page 21-90)****NOTICE:****Wear insulating gloves.****40. REMOVE SYSTEM MAIN RESISTOR (See page 21-92)****NOTICE:****Wear insulating gloves.****41. REMOVE SYSTEM MAIN RELAY NO.1 (See page 21-83)****NOTICE:****Wear insulating gloves.****42. REMOVE BATTERY ECU ASSY (See page 21-98)****43. REMOVE BATTERY CARRIER SUB-ASSY UPR****NOTICE:****Wear insulating gloves.**

- (a) Remove the 3 nuts and upper battery carrier.

**44. REMOVE BATTERY SPACER NO.1****NOTICE:****Wear insulating gloves.****45. REMOVE FRAME WIRE NO.2 (See page 21-74)****NOTICE:****Wear insulating gloves.****46. REMOVE BATTERY ROOM VENTILATION HOSE****NOTICE:****Wear insulating gloves and protective glasses.**

**47. INSTALL BATTERY ROOM VENTILATION HOSE****NOTICE:**

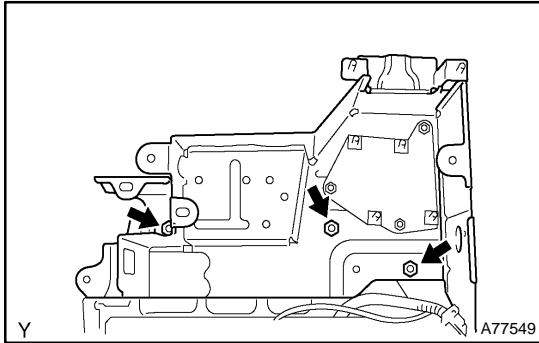
Wear insulating gloves and protective glasses.

**48. INSTALL FRAME WIRE NO.2 (See page 21-74)****NOTICE:**

Wear insulating gloves.

**49. INSTALL BATTERY SPACER NO.1****NOTICE:**

Wear insulating gloves.

**50. INSTALL BATTERY CARRIER SUB-ASSY UPR****NOTICE:**

Wear insulating gloves.

- (a) Install the upper battery carrier with the 3 nuts.

**Torque: 5.5 N·m (56 kgf·cm, 49 in·lbf)**

**51. INSTALL BATTERY ECU ASSY (See page 21-98)****52. INSTALL SYSTEM MAIN RELAY NO.1 (See page 21-83)****NOTICE:**

Wear insulating gloves.

**53. INSTALL SYSTEM MAIN RESISTOR (See page 21-92)****NOTICE:**

Wear insulating gloves.

**54. INSTALL SYSTEM MAIN RELAY NO.3 (See page 21-90)****NOTICE:**

Wear insulating gloves.

**55. INSTALL SYSTEM MAIN RELAY NO.2 (See page 21-87)****NOTICE:**

Wear insulating gloves.

**56. INSPECT CONTACT CONDITION (See page 21-83)****NOTICE:**

Wear insulating gloves.

**57. INSTALL JUNCTION BLOCK ASSY (See page 21-80)****NOTICE:**

Wear insulating gloves.

**58. INSTALL BATTERY PLUG (See page 21-77)****NOTICE:**

Wear insulating gloves.

**59. INSTALL WIRING HARNESS PROTECTOR COVER NO.1 (See page 21-77)****NOTICE:**

Wear insulating gloves.

**60. INSTALL BATTERY CLAMP PAD (See page 21-77)****NOTICE:**

Wear insulating gloves.



**61. INSTALL WIRING HARNESS PROTECTOR COVER NO.4****NOTICE:**

Wear insulating gloves.

**62. INSTALL WIRING HARNESS PROTECTOR COVER NO.2****NOTICE:**

Wear insulating gloves.

**63. INSTALL BATTERY CURRENT SENSOR (See page 21-95)****NOTICE:**

Wear insulating gloves.

**64. INSTALL MAIN BATTERY CABLE NO.2 (See page 21-70)****NOTICE:**

Wear insulating gloves.

**65. INSTALL MAIN BATTERY CABLE (See page 21-66)****NOTICE:**

Wear insulating gloves.

**66. INSTALL BATTERY CARRIER CUSHION NO.3 (See page 21-66)****NOTICE:**

Wear insulating gloves.

**67. INSTALL WIRING HARNESS PROTECTOR COVER NO.3****NOTICE:**

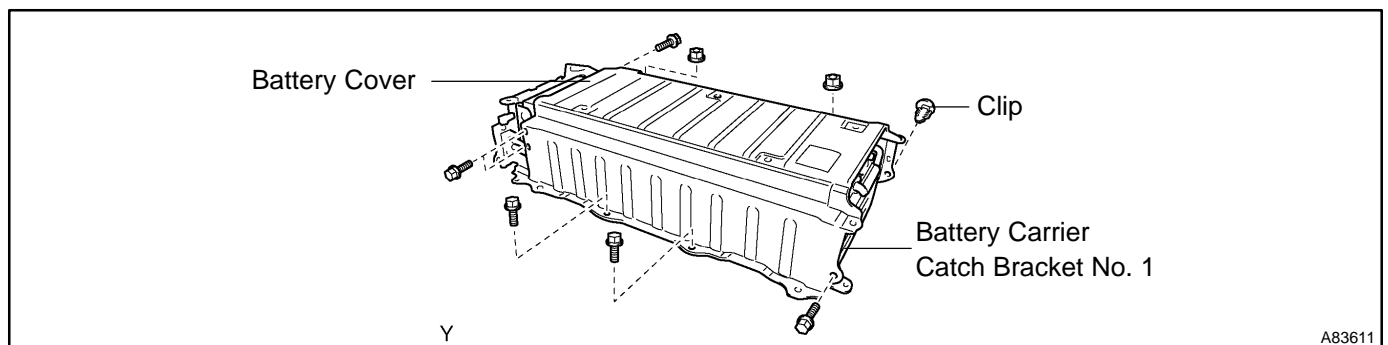
Wear insulating gloves.

**68. INSTALL WIRING HARNESS PROTECTOR COVER NO.1****NOTICE:**

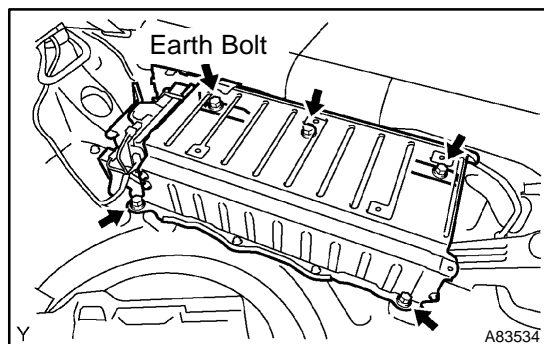
Wear insulating gloves.

**69. INSTALL BATTERY COVER SUB-ASSY****NOTICE:**

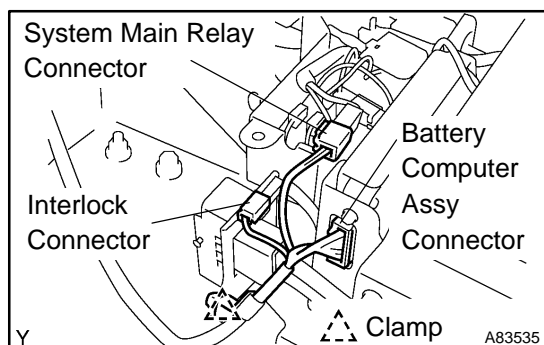
Wear insulating gloves.



- (a) Temporarily fasten the battery carrier catch bracket No. 1 to the battery room ventilation hose.
- (b) Install the battery cover with the 6 bolts, 2 nuts and clip.  
**Torque: 8.0 N·m (82 kgf·cm, 71 in·lbf)**
- (c) Install the protector on the battery cover.

**70. INSTALL HV BATTERY ASSY**

- (a) Install the HV battery with the earth bolt and 4 bolts.  
**Torque: 19 N·m (194 kgf·cm, 14 ft·lbf)**



- (b) Connect the system main relay connector.

**NOTICE:**

**Wear insulating gloves.**

- (c) Connect the interlock connector.

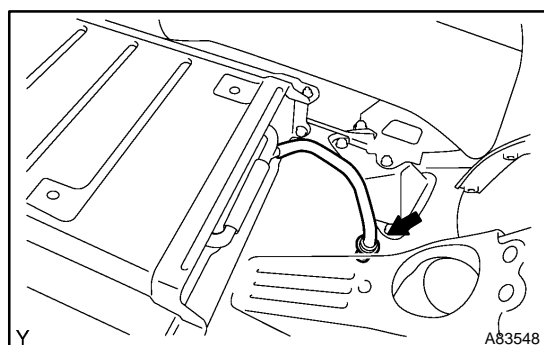
**NOTICE:**

**Wear insulating gloves.**

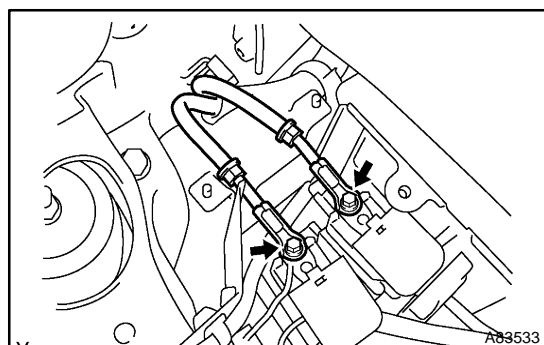
- (d) Connect the battery ECU connector.

**NOTICE:**

**Wear insulating gloves.**



- (e) Connect the battery room ventilation hose to the floor panel.

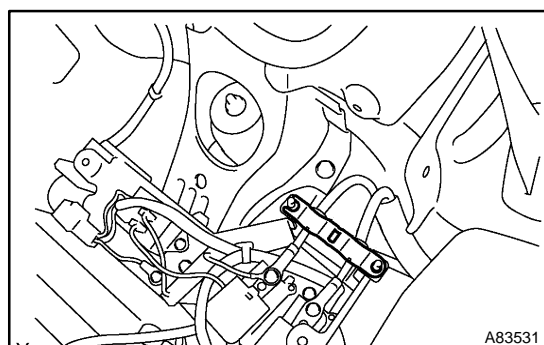
**71. INSTALL FRAME WIRE****NOTICE:**

**Wear insulating gloves.**

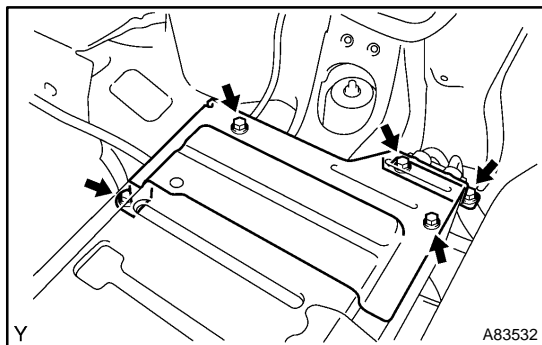
- (a) Install the frame wire on the system main relay No. 2 and No. 3 with 2 new nuts.

**Torque: 5.6 N·m (57 kgf·cm, 50 in·lbf)**

- (b) Connect the 2 clamps, then install the frame wire to the upper battery carrier.

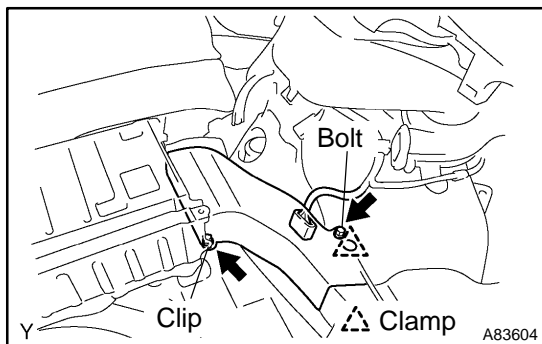
**72. INSTALL JUNCTION TERMINAL****NOTICE:**

**Wear insulating gloves.**

**73. INSTALL BATTERY CARRIER PANEL NO.6**

- (a) Install the battery carrier panel No. 6 with the bolt and 2 nuts.

**Torque: 7.5 N·m (76 kgf·cm, 66 in.·lbf)**

**74. INSTALL QUARTER VENT DUCT****NOTICE:**

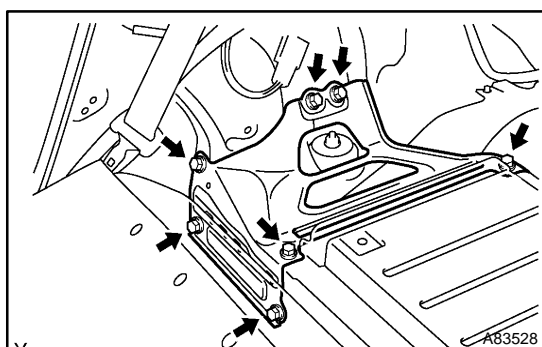
**The duct should not be half fit. Ensure that it is installed securely.**

- (a) Install the quarter ventilator duct with the bolt and clip.

**Torque: 4.0 N·m (41 kgf·cm, 35 in.·lbf)**

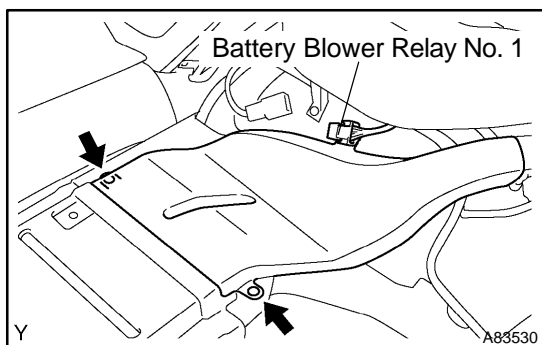
- (b) Connect the connector.

- (c) Install the clamp.

**75. INSTALL BATTERY BRACKET REINFORCEMENT**

- (a) Install the battery bracket reinforcement with the 7 bolts.

**Torque: 28 N·m (286 kgf·cm, 21 ft·lbf)**

**76. INSTALL QUARTER VENT DUCT INNER NO.2**

- (a) Insert the quarter vent duct inner No. 2 until the HV battery side touches the back.

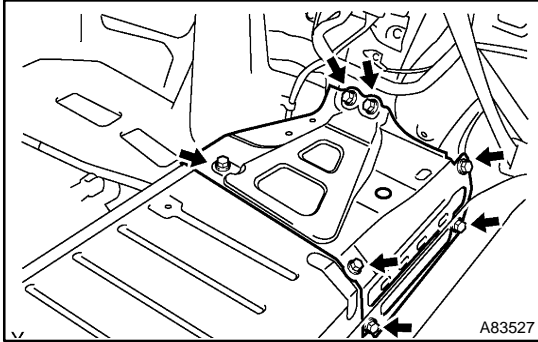
- (b) Slide the fitting surface of the quarter vent duct inner No. 2 downward, then let it fit with the battery blower assembly.

**NOTICE:**

**The duct should not be half fit. Ensure that it is installed securely.**

- (c) Install the 2 clips on the quarter ventilation inner duct No. 2.

- (d) Install the battery blower relay No. 1.

**77. INSTALL BATTERY CARRIER BRACKET**

- (a) Install the battery carrier bracket with the 7 bolts.  
**Torque: 28 N·m (286 kgf·cm, 21 ft·lbf)**

- 78. **INSTALL DECK TRIM SIDE PANEL ASSY RH**
- 79. **INSTALL DECK TRIM SIDE PANEL ASSY LH**
- 80. **INSTALL DECK FLOOR BOX LH**
- 81. **INSTALL REAR FLOOR BOARD NO.4**
- 82. **INSTALL REAR SIDE SEAT BACK FRAME RH**
- 83. **INSTALL REAR SIDE SEAT BACK FRAME LH**
- 84. **INSTALL REAR FLOOR BOARD NO.1**
- 85. **INSTALL REAR SEAT CUSHION ASSY**
- 86. **INSTALL TONNEAU COVER ASSY**
- 87. **INSTALL DECK TRIM COVER REAR**
- 88. **INSTALL SERVICE PLUG GRIP (See page 21-116)**
- 89. **CONNECT BATTERY NEGATIVE TERMINAL**  
**Torque: 6.0 N·m (61 kgf·cm, 53 in·lbf)**
- 90. **INSTALL REAR FLOOR BOARD NO.3**
- 91. **INSTALL DECK FLOOR BOX REAR**
- 92. **INSTALL REAR FLOOR BOARD NO.2**
- 93. **POWER WINDOW CONTROL SYSTEM INITIALIZE (See page 01-28)**