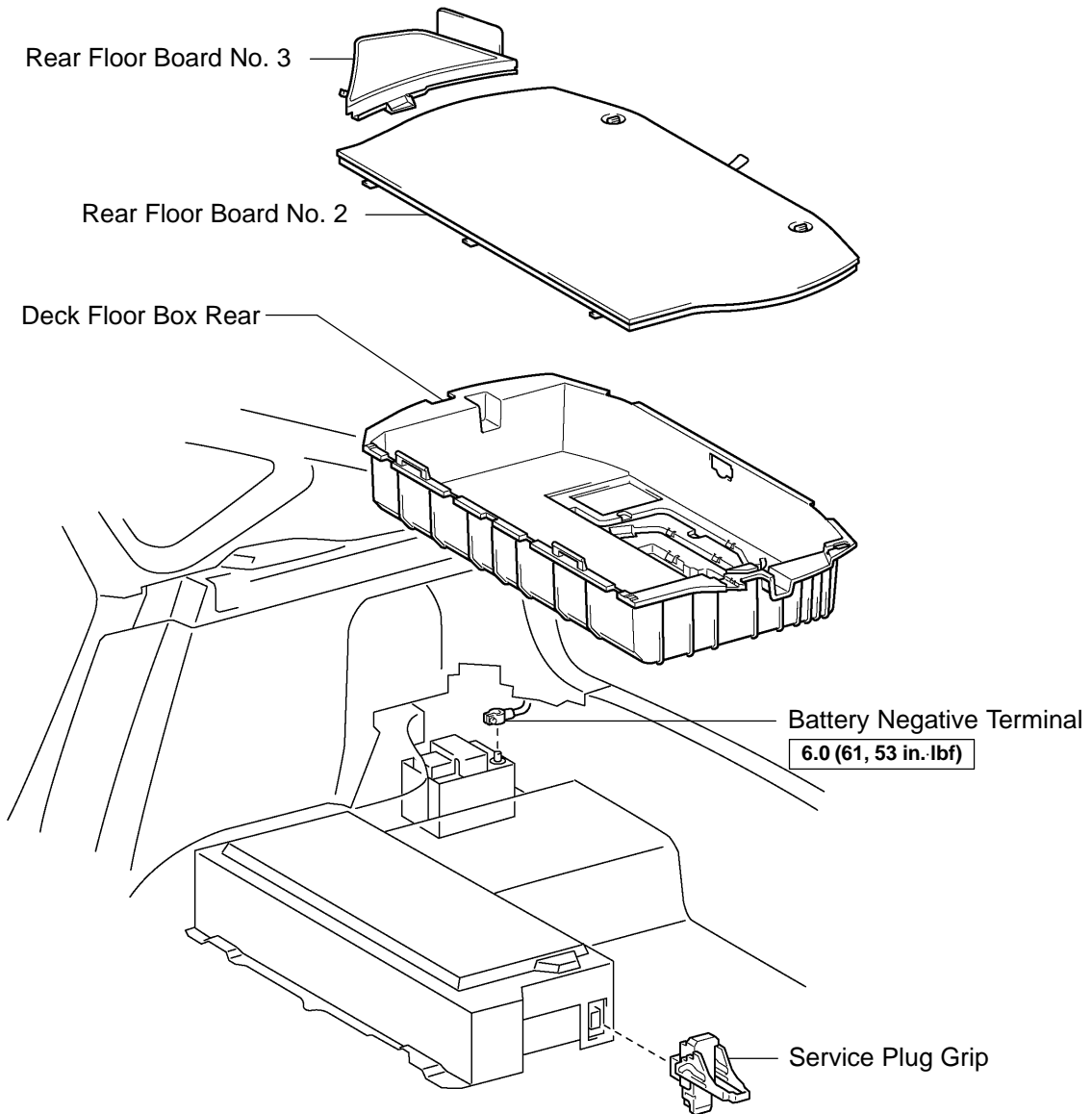


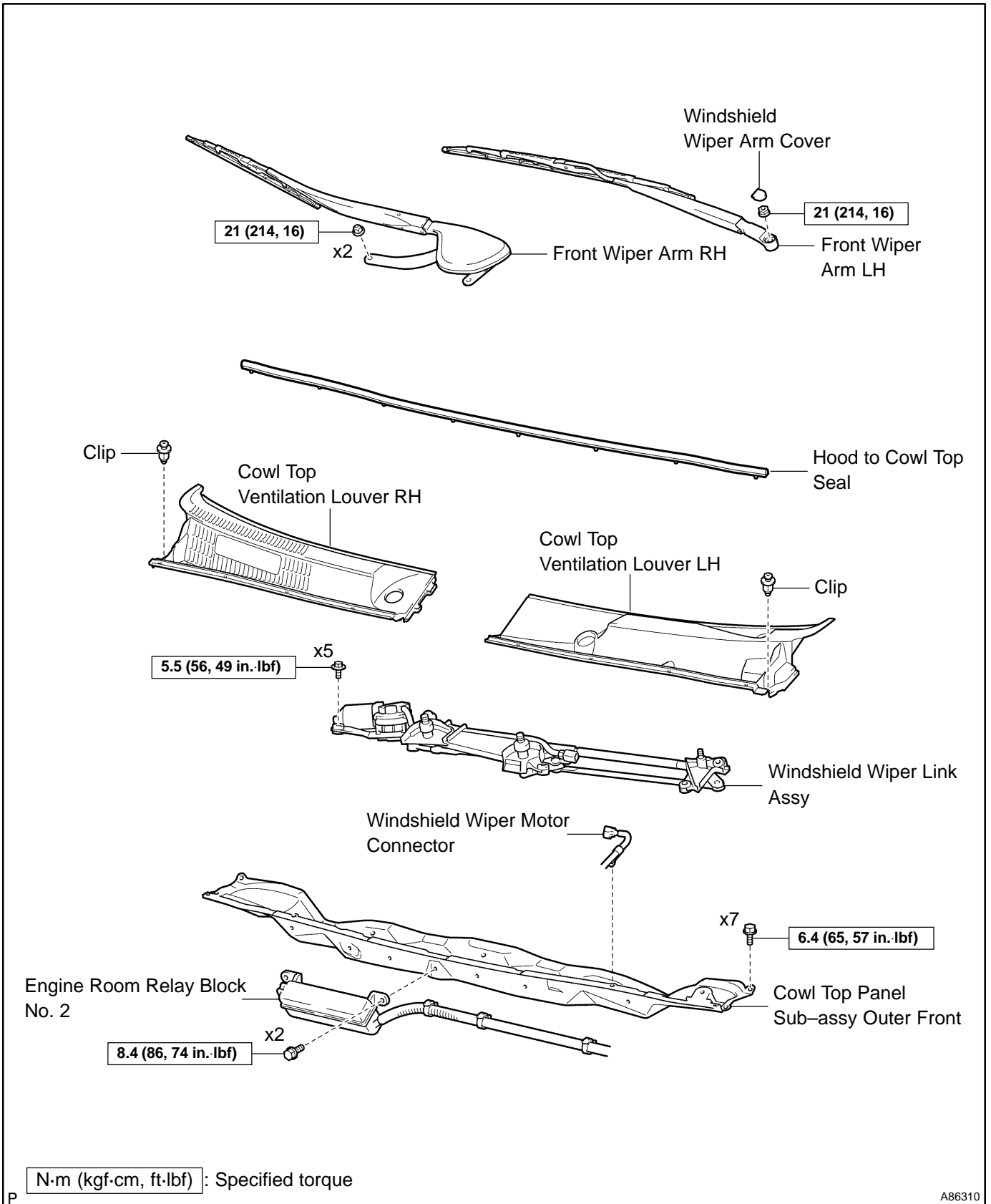
W/CONVERTER INVERTER ASSY COMPONENTS

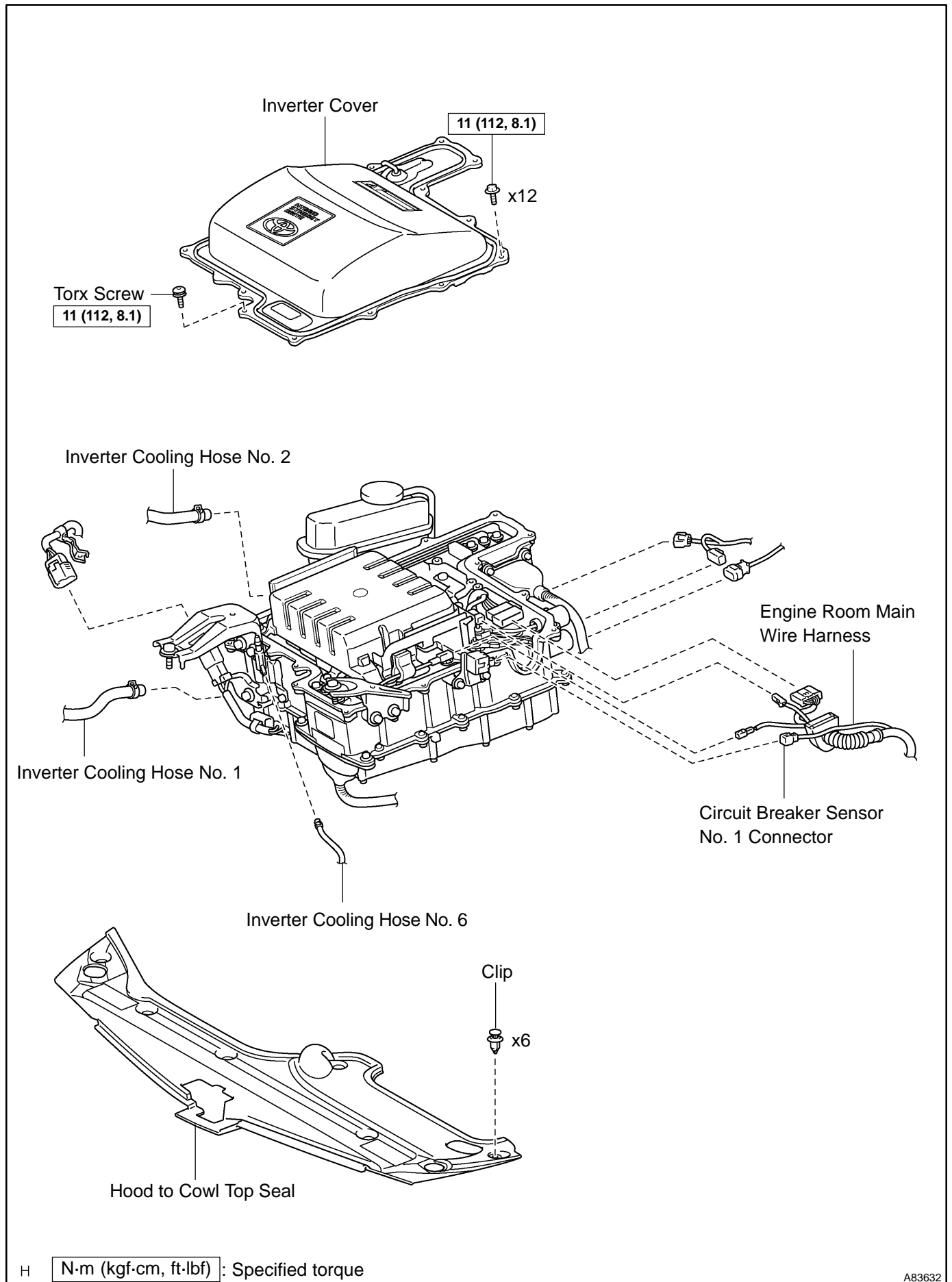
2103H-01



○ N·m (kgf·cm, ft·lbf) : Specified torque

A83616





A83632

