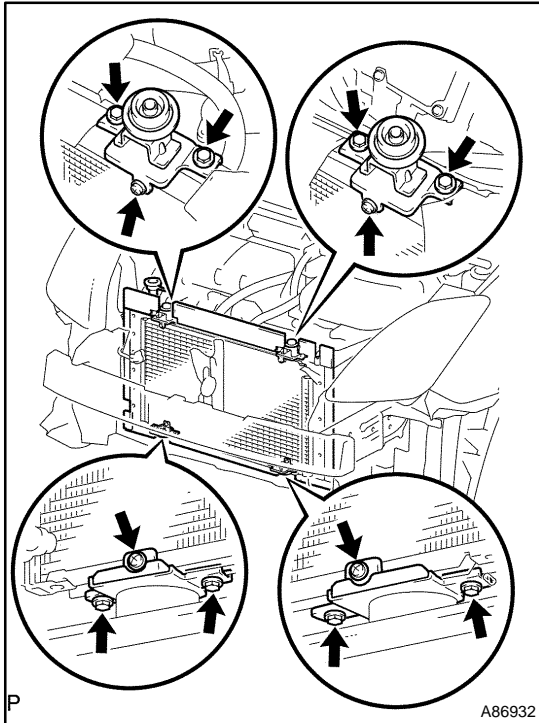


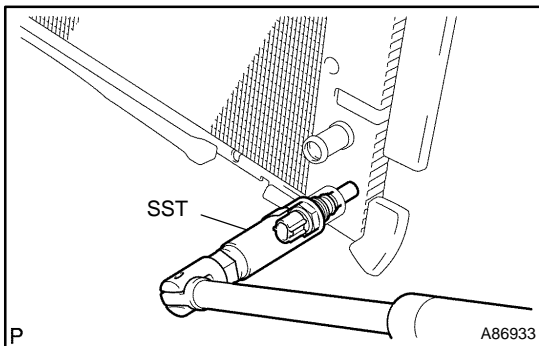
# REPLACEMENT

## 1. REMOVE FAN ASSY W/MOTOR (See page 16-22)



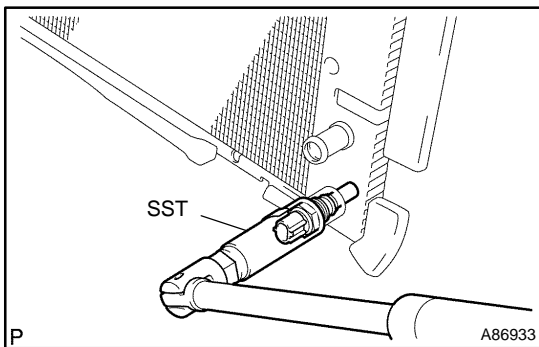
## 2. REMOVE NO.2 RADIATOR ASSY

- (a) Remove the 3 bolts and radiator support upper RH.
- (b) Remove the 3 bolts and radiator support upper LH.
- (c) Remove the 3 bolts and radiator support lower RH.
- (d) Remove the 3 bolts and radiator support lower LH.
- (e) Remove the radiator assembly No. 2 from the vehicle.



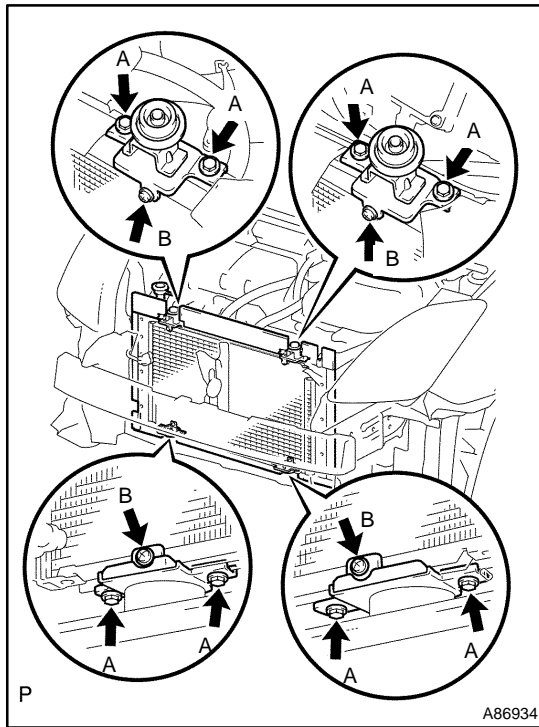
## 3. REMOVE RADIATOR FAN TEMPERATURE SWITCH

- (a) Using SST, remove the radiator fan temperature switch.  
SST 09817-33190



## 4. INSTALL RADIATOR FAN TEMPERATURE SWITCH

- (a) Using SST, install the radiator fan temperature switch.  
SST 09817-33190  
**Torque: 7.0 N·m (71 kgf·cm, 62 in.-lbf)**



## 5. INSTALL NO.2 RADIATOR ASSY

- (a) Install the radiator assembly No. 2 to the vehicle.
- (b) Install the radiator support lower LH with the 3 bolts.  
**Torque:**  
**5.0 N·m (51 kgf·cm, 44 in·lbf) for bolt A**  
**3.9 N·m (40 kgf·cm, 35 in·lbf) for bolt B**
- (c) Install the radiator support lower RH with the 3 bolts.  
**Torque:**  
**5.0 N·m (51 kgf·cm, 44 in·lbf) for bolt A**  
**3.9 N·m (40 kgf·cm, 35 in·lbf) for bolt B**
- (d) Install the radiator support upper LH with the 3 bolts.  
**Torque:**  
**5.0 N·m (51 kgf·cm, 44 in·lbf) for bolt A**  
**3.9 N·m (40 kgf·cm, 35 in·lbf) for bolt B**
- (e) Install the radiator support upper RH with the 3 bolts.  
**Torque:**  
**5.0 N·m (51 kgf·cm, 44 in·lbf) for bolt A**  
**3.9 N·m (40 kgf·cm, 35 in·lbf) for bolt B**

## 6. INSTALL FAN ASSY W/MOTOR (See page 16-22)