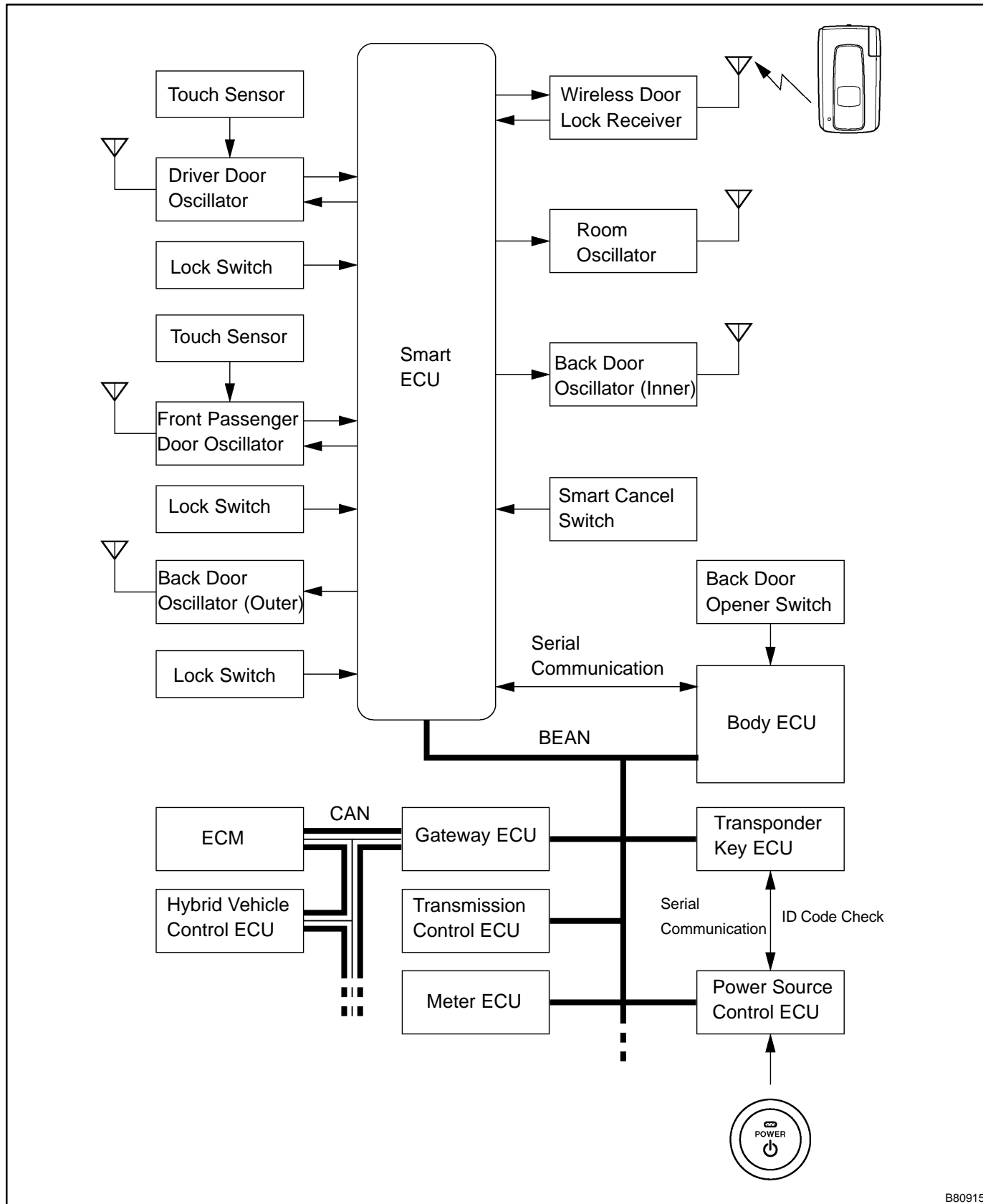


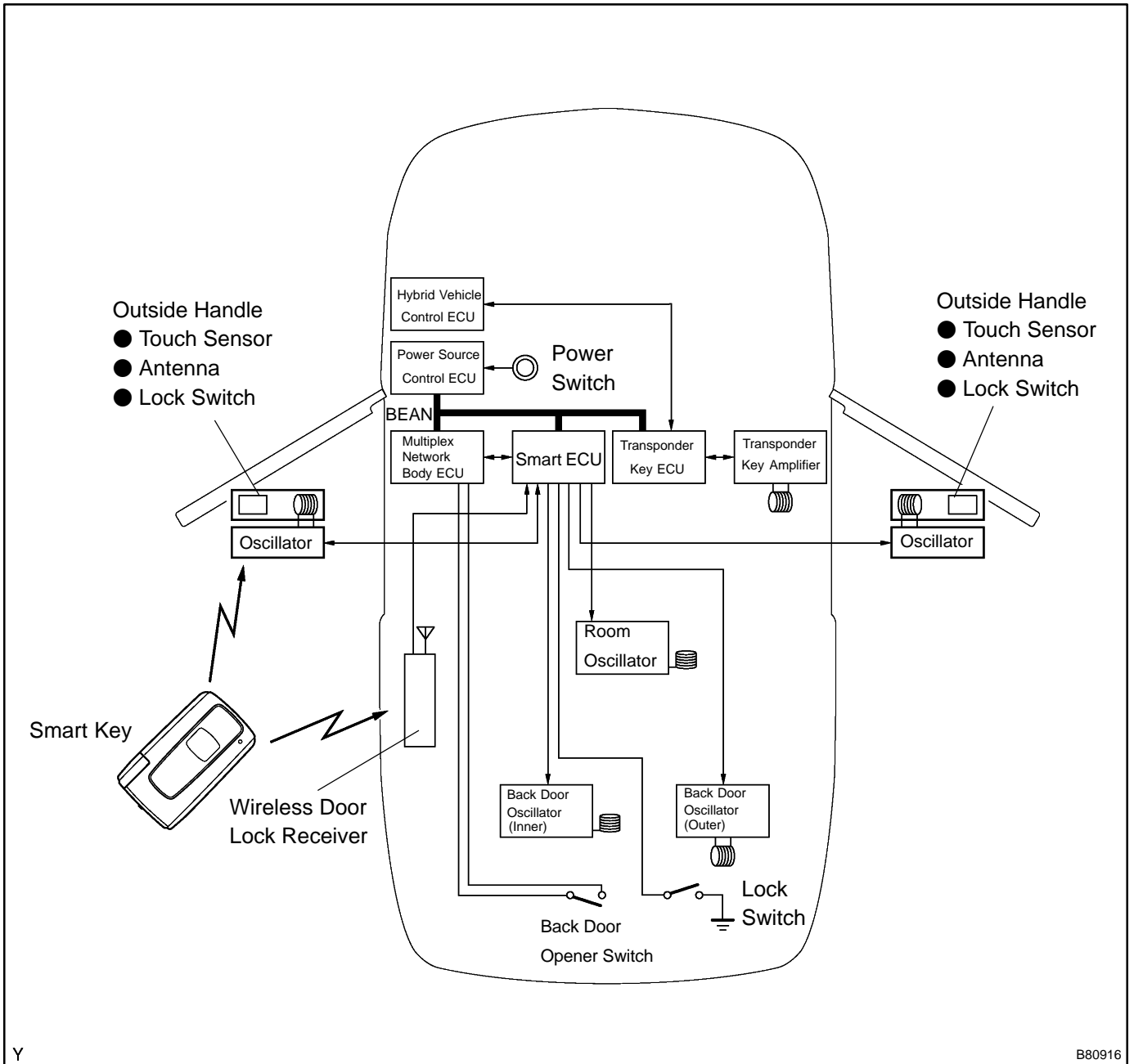
SYSTEM DIAGRAM

1. OVERVIEW OF PARTS LAYOUT



B80915

DIAGNOSTICS - SMART ENTRY SYSTEM



Sender	Receiver	Signal	Line
Hybrid Vehicle Control ECU	Smart ECU	<ul style="list-style-type: none"> • Shift position signal 	BEAN
Multiplex Network Body ECU	Smart ECU	<ul style="list-style-type: none"> • Driver door key-linked lock/unlock signal (smart lock/unlock control) • DTC erasure signal • Door lock position signal (D, P, rear doors) (smart lock/unlock control) • Electric back door status signal (smart back door control) • Courtesy switch signal (D, P, rear doors) (smart lock, unlock, warning control) • Vehicle specification signal (smart control change) • IG switch signal (entire smart control) • ACC switch signal (smart warning control) • Halfway switch signal (smart ignition control) • Back door switch signal (smart back door control) • All doors courtesy switch signal (smart lock, unlock, warning control) 	BEAN
Transponder Key ECU	Smart ECU	<ul style="list-style-type: none"> • Smart control ON signal (smart ignition control) • Steering lock release activation signal (smart ignition control) 	BEAN
Power Source Control ECU	Smart ECU	<ul style="list-style-type: none"> • Immobilizer ID verification request signal (smart ignition control) • Key slot status (w/ or w/o key) signal (smart ignition control) • Key code verification signal (wireless control) 	BEAN
Smart ECU	Transponder Key ECU	<ul style="list-style-type: none"> • Smart control ON signal (smart ignition control) • Steering lock release activation signal (smart ignition control) 	BEAN