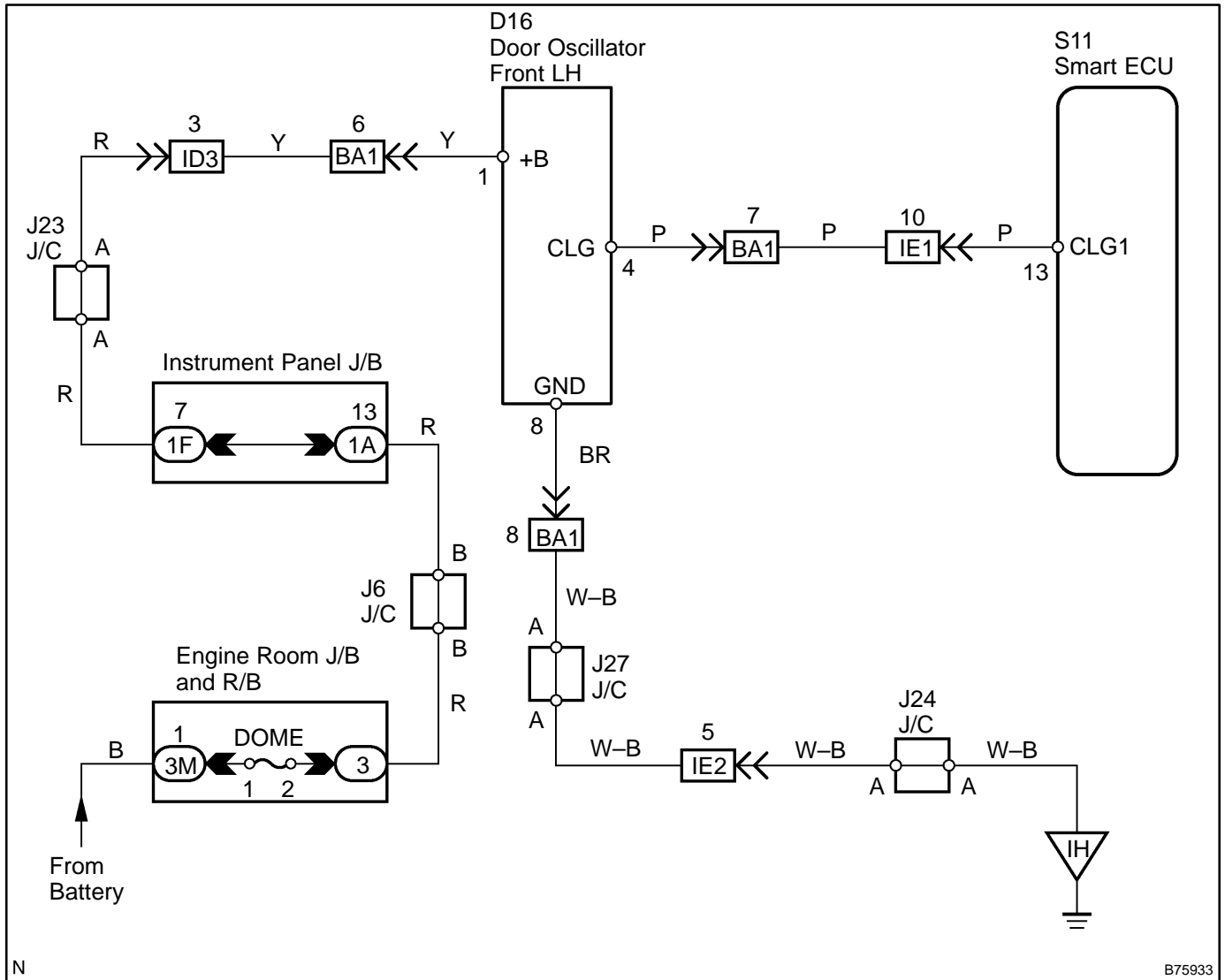


SMART LOCK AND UNLOCK FUNCTIONS DO NOT OPERATE ON DRIVER DOOR

CIRCUIT DESCRIPTION

Both the smart lock and unlock functions do not operate when: 1) nothing is output from the driver door outside oscillator, 2) the smart entry system is disabled through customization, or 3) the entire power door lock control system is malfunctioning.

WIRING DIAGRAM



N

B75933

INSPECTION PROCEDURE

1 CHECK MANUAL DOOR LOCK AND UNLOCK OPERATION

- (a) Check that the manual door lock and unlock function operates normally.

OK: Manual door lock and unlock function operates normally.

NG

**Go to POWER DOOR LOCK CONTROL SYSTEM
(See page 05-2074)**

OK

2 PERFORM ACTIVE TEST USING HAND-HELD TESTER

- (a) Connect the hand-held tester (with CAN VIM) to the DLC3.
 (b) Turn the power switch ON (IG) and press the hand-held tester main switch ON.
 (c) Select the items below in the ACTIVE TEST and then check that the oscillator operates.

Smart ECU:

Item	Test Details	Diagnostic Note
D TRANSMITTER	Driver Side Transmitter ON/OFF	-

OK: When the smart key is brought close to a door oscillator that is ON, the indicator on the smart key illuminates.

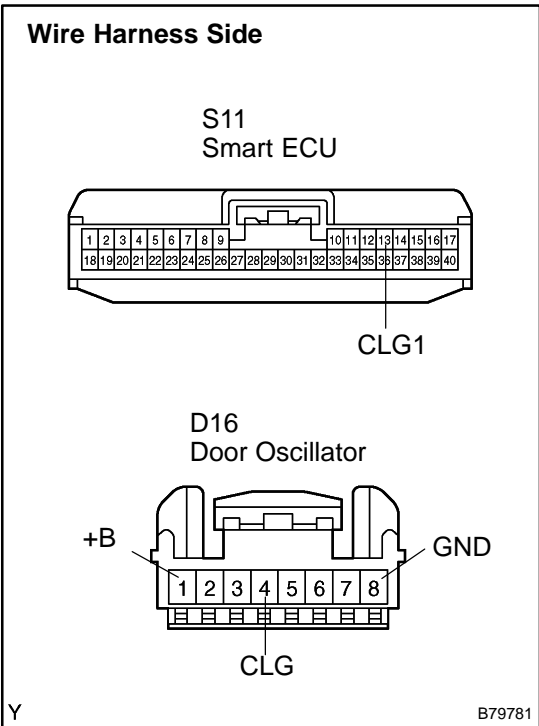
NG

Go to step 3

OK

REPLACE SMART ECU

3 CHECK WIRE HARNESS (DOOR OSCILLATOR FRONT (DRIVER SIDE) – SMART ECU AND BODY GROUND)



- (a) Disconnect the D16 oscillator connector.
- (b) Disconnect the S11 ECU connector.
- (c) Measure the resistance and voltage of the wire harness side connectors.

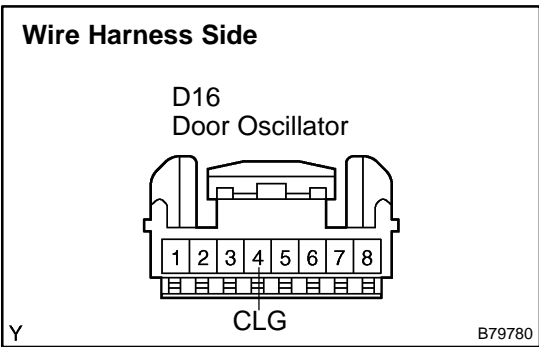
Standard:

Tester Connection	Condition	Specified Condition
D16-4 (CLG) – S11-13 (CLG1)	Constant	Below 1 Ω
D16-4 (CLG) – Body ground	Constant	10 kΩ or higher
D16-8 (GND) – Body ground	Constant	Below 1 Ω
D16-1 (+B) – Body ground	Constant	10 to 14 V

NG REPAIR OR REPLACE HARNESS AND CONNECTOR

OK

4 CHECK DOOR OSCILLATOR (DRIVER SIDE)



- (a) Measure the frequency between the terminals of the connector when the power switch is operated.

Standard:

Tester Connection	Condition	Specified Condition
D16-4 (CLG) – Body ground	Power switch OFF → ON (IG)	Some Hz → 0 Hz

NG REPLACE DOOR OSCILLATOR ON DRIVER SIDE

OK

REPLACE SMART ECU