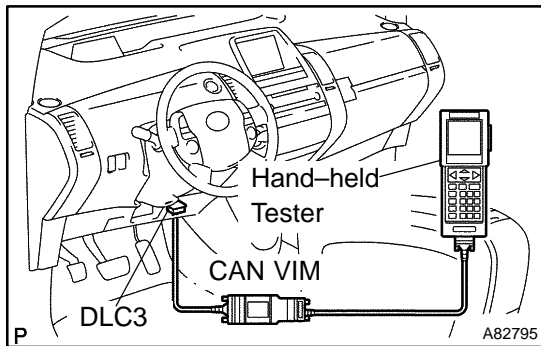


## DTC CHECK/CLEAR



### 1. CHECK DTC

- (a) Connect the hand-held tester together with the Controller Area Network Vehicle Interface Module (CAN VIM). The connect the CAN VIM to the DLC3.
- (b) Change the power switch's power mode to ON (IG) by pushing the power switch.
- (c) Read the DTCs by following the directions on the tester's screen.

#### HINT:

Refer to the hand-held tester operator's manual for further details.

### 2. CLEAR DTC

- (a) Connect the hand-held tester (with CAN VIM) to the DLC3.
- (b) Change the power switch's power mode to ON (IG) by pushing the power switch.
- (c) Erase the DTCs by following the directions on the tester's screen.

#### HINT:

Refer to the hand-held tester operator's manual for further details.