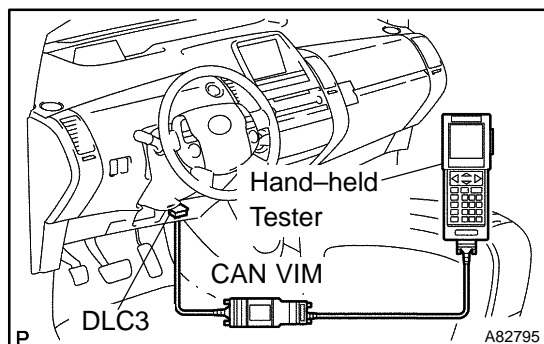


## DTC CHECK/CLEAR



### 1. CHECK DTC

- (a) Connect the hand-held tester (with CAN VIN) to the DLC3 through the CAN VIN (controller area network vehicle interface module).
- (b) Turn the power switch ON (IG).
- (c) Read DTCs by following the prompts on the hand-held tester screen.

#### HINT:

Refer to the tester operator's manual for further details.

### 2. CLEAR DTC

- (a) Connect the hand-held tester (with CAN VIN) to the DLC3 through the CAN VIM.
- (b) Turn the power switch ON (IG).
- (c) Erase the DTCs by following the prompts on the tester screen.

#### HINT:

Refer to the hand-held tester operator's manual for further details.