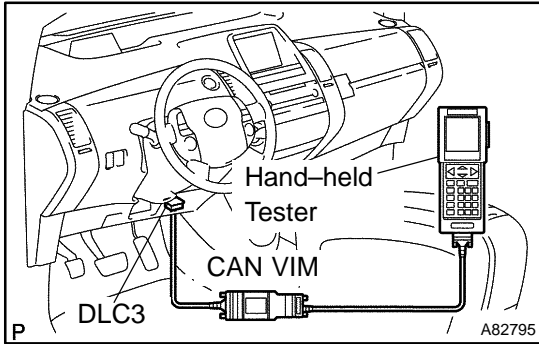


DTC CHECK/CLEAR



1. CHECK DTC

- (a) Connect the hand-held tester (with CAN VIN) to the Controller Area Network Vehicle Interface Module (CAN VIM). Then connect the CAN VIN to the DLC3.
- (b) Turn the power switch ON (IG).
- (c) Read DTCs by following the prompts on the tester screen.

HINT:

Refer to the hand-held tester operator's manual for further details.

2. CLEAR DTC

- (a) Connect the hand-held tester (with CAN VIN) to the DTC.
- (b) Turn the power switch ON (IG).
- (c) Erase the DTCs following the prompts on the tester screen.

HINT:

Refer to the hand-held tester operator's manual for further details.