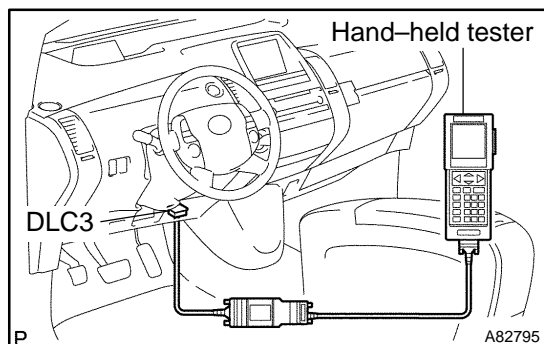


## DTC CHECK/CLEAR



### 1. CHECK FOR DTCs

- (a) Using the hand-held tester, check for DTCs.
  - (1) Connect the hand-held tester to the DLC3.
  - (2) Turn the power switch on (IG).
  - (3) Read the DTCs on the tester screen.

#### HINT:

The hand-held tester has a "Snapshot" function which records the monitored data.

Refer to the hand-held tester operator's manual for further details.

### 2. CLEAR THE DTCs

- (a) Using the hand-held tester, clear the DTCs.
  - (1) Connect the hand-held tester to the DLC3.
  - (2) Turn the power switch on (IG).
  - (3) Clear the DTCs by following the prompts on the tester screen.

#### HINT:

Refer to the hand-held tester operator's manual for further details.