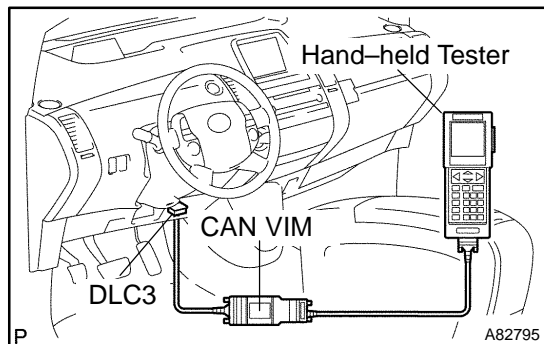
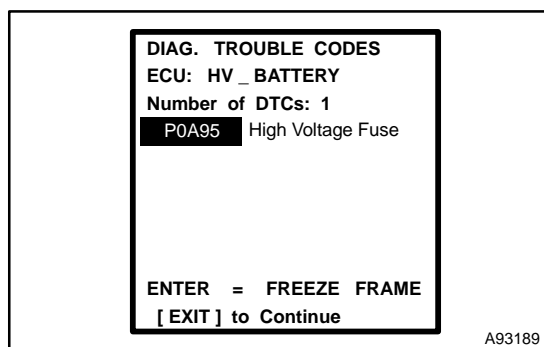


DTC CHECK/CLEAR



1. CHECK DTC (HV BATTERY)

- Connect the hand-held tester or the OBD II scan tool to the DLC3.
- Turn the power switch ON (IG).
- Turn the hand-held tester or the OBD II scan tool ON.
- Using the hand-held tester or the OBD II scan tool, check the DTCs and freeze frame data and then write them down. For the hand-held tester, enter the following menus: DIAGNOSIS / ENHANCED OBD II / HV BATTERY / DTC INFO / TROUBLE CODES.
For the OBD II scan tool, see its instruction manual.
- See page 05-893 to confirm the details of the DTCs.



2. CHECK FREEZE FRAME DATA

- If a DTC is present, select that DTC in order to display its freeze frame data.
- Read recorded freeze frame data at the time of detection of a DTC.

3. CHECK DTC (SYSTEMS OTHER THAN HV BATTERY)

HINT:

The battery ECU maintains mutual communication with ECUs, including the ECM, the HV control ECU, etc. Therefore, if the battery ECU outputs a warning, it is necessary to check and record the DTCs of all the systems.

- Connect the hand-held tester or the OBD II scan tool to the DLC3.
- Turn the power switch ON (IG).
- Turn the hand-held tester or the OBD II scan tool ON.
- For the hand-held tester, enter the following menus: DIAGNOSIS / ENHANCED OBD II / CODES (All).
For the OBD II scan tool, see its instruction manual.
- If DTCs output, check the relevant system.

HINT:

If DTCs for the CAN communication system are present in addition to other DTCs, first troubleshoot and repair malfunction in the CAN communication (see page 05-2602).

4. CLEAR DTC

- (a) Connect the hand-held tester or the OBD II scan tool to the DLC3.
- (b) Turn the power switch ON (IG).
- (c) Turn the hand-held tester or the OBD II scan tool ON.
- (d) Check that the shift position is in the P position.
- (e) Clear DTCs and freeze frame data with the hand-held tester or the OBD II scan tool.

For the hand-held tester:

- (1) Enter the following menus: DIAGNOSIS / ENHANCED OBD II / HV BATTERY / DTC INFO / CLEAR CODES.
- (2) Press YES.

For the OBD II scan tool, see its instruction manual.