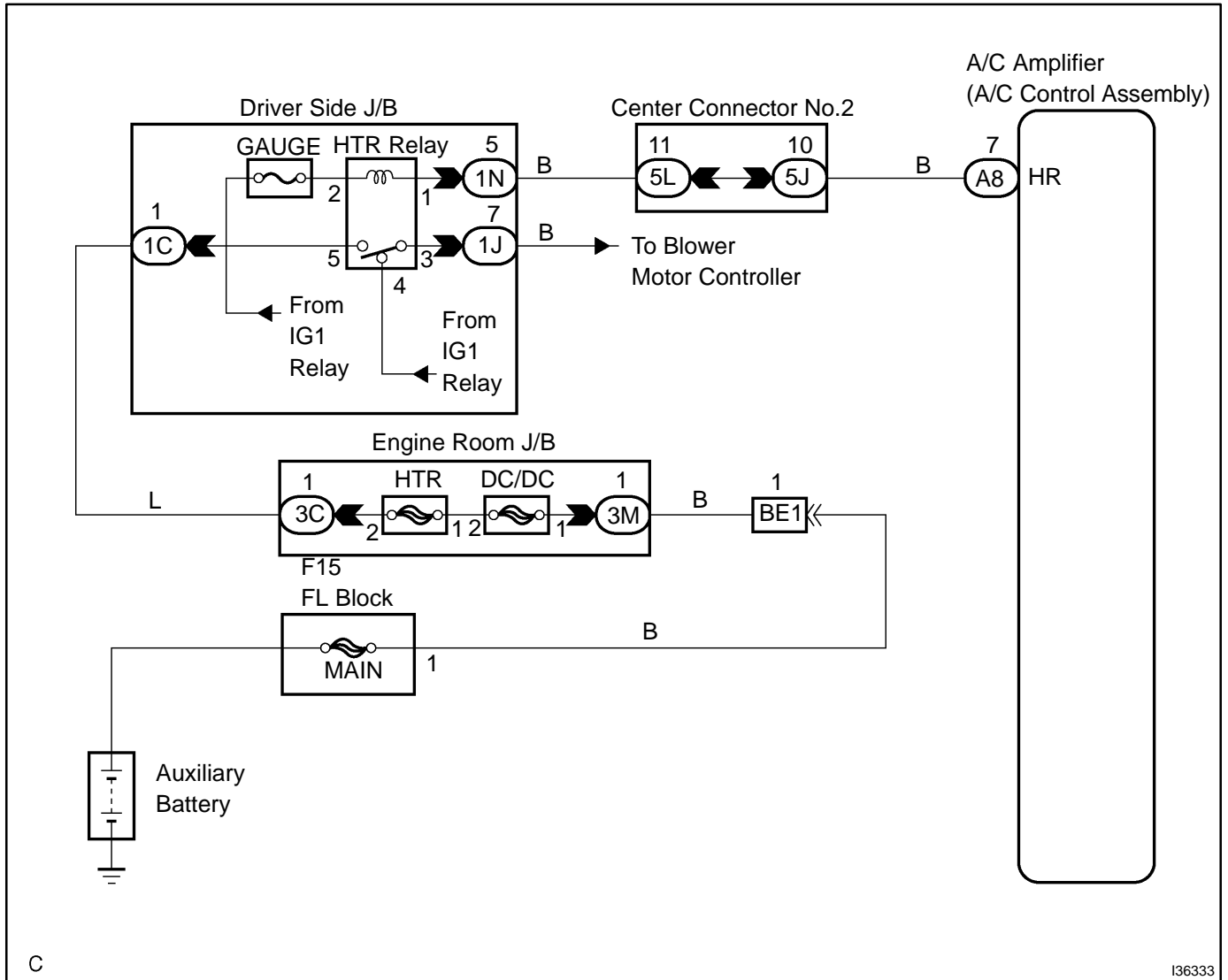


HEATER RELAY CIRCUIT

CIRCUIT DESCRIPTION

The heater relay is turned on by signals from the A/C amplifier. It supplies power to the blower motor controller.

WIRING DIAGRAM



C

I36333

INSPECTION PROCEDURE

1 CHECK FUSE(HTR)

- (a) Remove the HTR fuse from the engine room J/B.
- (b) Measure the resistance according to the value(s) in the table below.

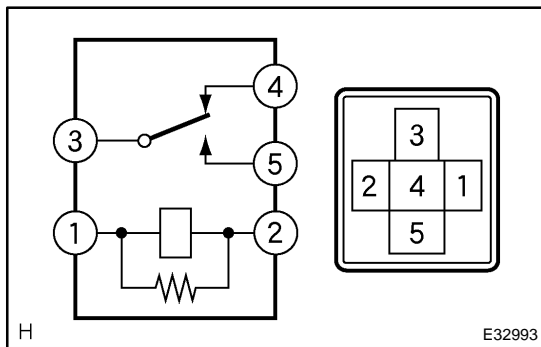
Standard:

Tester item	Condition	Specified condition
HTR fuse	Always	Below 1 Ω

NG → **CHECK FOR SHORT IN ALL HARNESS AND COMPONENTS CONNECTED TO FUSE(HTR FUSE) FAILURE**

OK

2 INSPECT HEATER RELAY



- (a) Measure the resistance according to the value(s) in the table below.

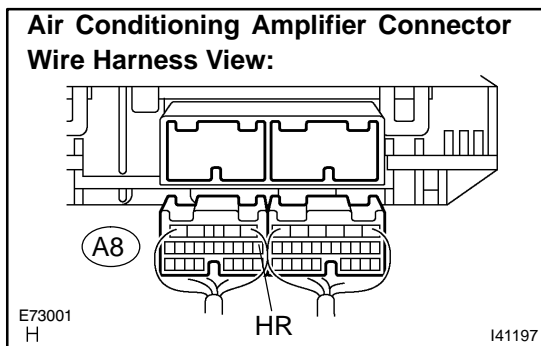
Standard:

Tester connection	Condition	Specified condition
3 - 5	Always	10 kΩ or higher
3 - 5	When battery voltage applied to terminals 1 and 2	Below 1 Ω
3 - 4	Always	Below 1 Ω
3 - 5	When battery voltage applied to terminals 1 and 2	10 kΩ or higher

NG → **REPLACE HEATER RELAY**

OK

3 CHECK HARNESS AND CONNECTOR(BATTERY - AIR CONDITIONING AMPLIFIER) (SEE PAGE 01-47)



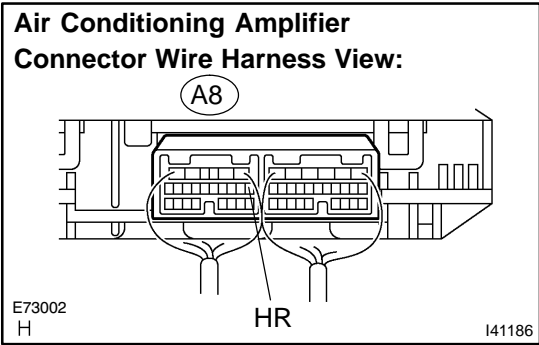
- (a) Measure the voltage according to the value(s) in the table below.

Tester connection	Condition	Specified condition
A8-7 (HR) - Body ground	Power switch ON	10 to 14 V

NG → **REPAIR OR REPLACE HARNESS OR CONNECTOR**

OK

4 CHECK HARNESS AND CONNECTOR(AIR CONDITIONING AMPLIFIER – BATTERY) (SEE PAGE 01-47)



- (a) Remove the A/C amplifier with connectors still connected.
- (b) Measure the voltage according to the value(s) in the table below.

Standard:

Tester connection	Condition	Standard
A7-7 (HR) – Body ground	Power switch position OFF Blower switch position OFF	Below 1 V
A7-7 (HR) – Body ground	Power switch position ON Blower switch position ON	Below 1 V
A7-7 (HR) – Body ground	Power switch position ON Blower switch position OFF	10 to 14 V

NG → **REPAIR OR REPLACE HARNESS OR CONNECTOR**

OK

PROCEED TO NEXT CIRCUIT INSPECTION SHOWN IN PROBLEM SYMPTOMS TABLE (SEE PAGE 05-1268)