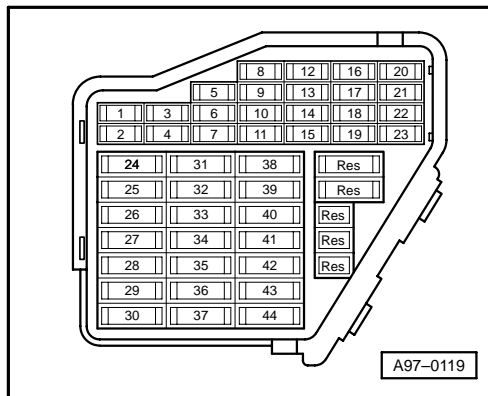


### Basic equipment

From model year 2001

#### Fuse box

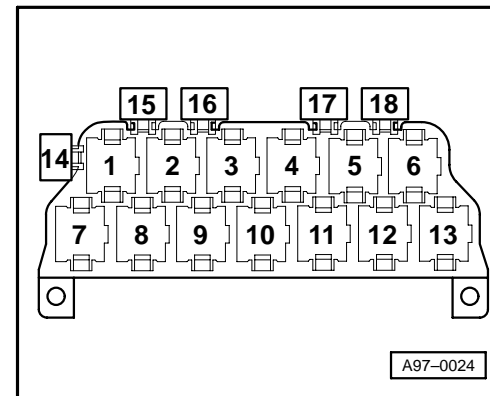


#### Fuse colours:

- 30 A - green
- 25 A - white
- 20 A - yellow
- 15 A - blue
- 10 A - red
- 7.5 A - brown
- 5 A - beige

From fuse number 23 upwards the fuses in the fuse box are designated as 223 etc. in the Current Flow Diagram.

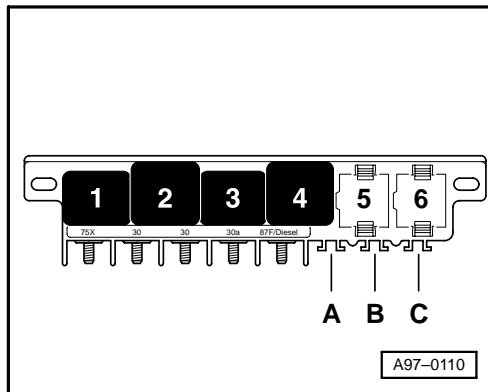
#### 13-point relay carrier



#### Position of relays:

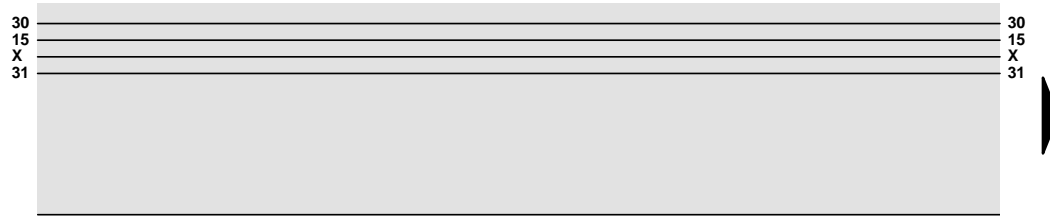
- 4** - Starter inhibitor relay (J207)

#### Micro-central electrics



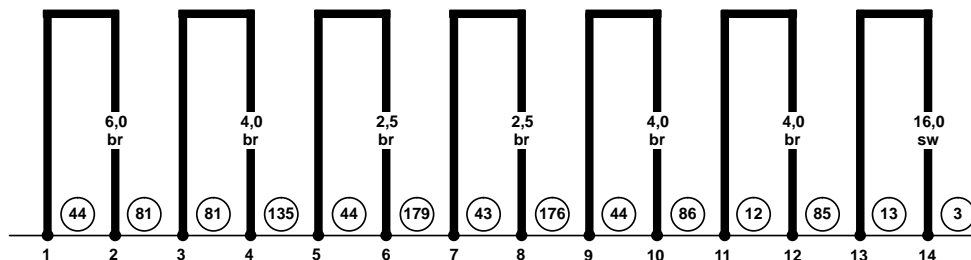
#### Position of relays:

- 1** - Dual tone horn relay (J4)
- 2** - X contact relief relay (J59)
- 4** - Fuel pump relay (J17)
- 5** - Automatic intermittent wash/wipe relay (J31)
- 6** - Automatic intermittent wash/wipe relay (J31)



### Earth connections

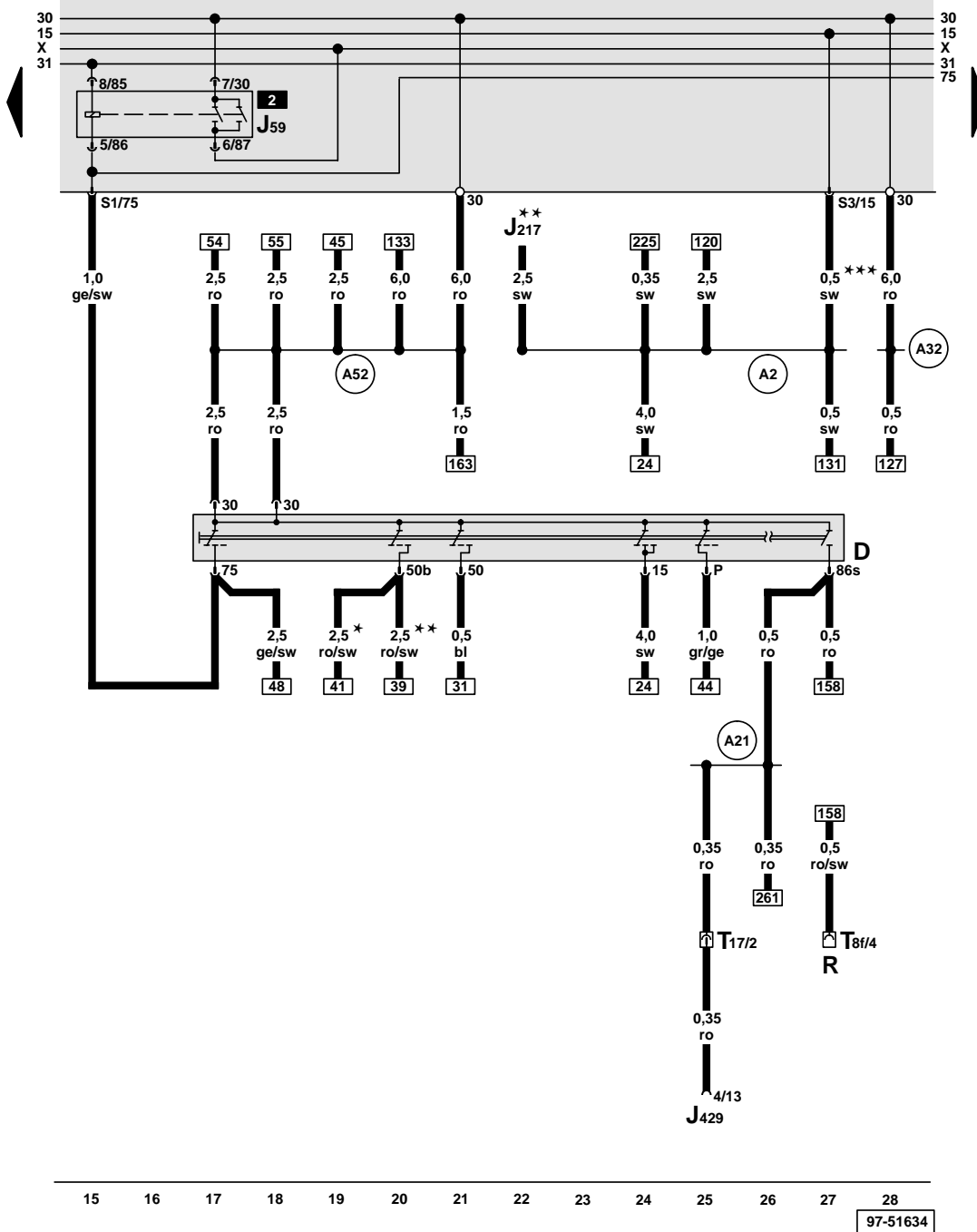
- ③ - Earth strap, engine - body
- ⑫ - Earth point, in engine compartment, left
- ⑬ - Earth point, in engine compartment, right
- ④③ - Earth point, lower part of right A-pillar
- ④④ - Earth point, lower part of left A-pillar
- ⑧① - Earth connection -1-, in dash panel wiring harness
- ⑧⑤ - Earth connection -1-, in engine compartment wiring harness
- ⑧⑥ - Earth connection -1-, in rear wiring harness
- ⑬⑤ - Earth connection -2-, in dash panel wiring harness
- ⑰⑥ - Earth connection, in right headlight wiring harness
- ⑰⑨ - Earth connection, in left headlight wiring harness



ws = white  
 sw = black  
 ro = red  
 br = brown  
 gn = green  
 bl = blue  
 gr = grey  
 li = purple  
 ge = yellow  
 or = orange

97-51633

### Ignition/starter switch, X contact relief relay



- D - Ignition/starter switch
- J59 - X contact relief relay
- J217 - Automatic gearbox control unit
- J429 - Central locking control unit
- R - Radio
- T8f - 8-pin connector, black, radio connector III
- T17 - 17-pin connector, orange, connector point, A pillar, right

- (A2) - Positive (+) connection (15), in dash panel wiring harness
- (A21) - Connection (86s), in dash panel wiring harness
- (A32) - Positive (+) connection (30), in dash panel wiring harness
- (A52) - Positive (+) connection -2- (30), in dash panel wiring harness

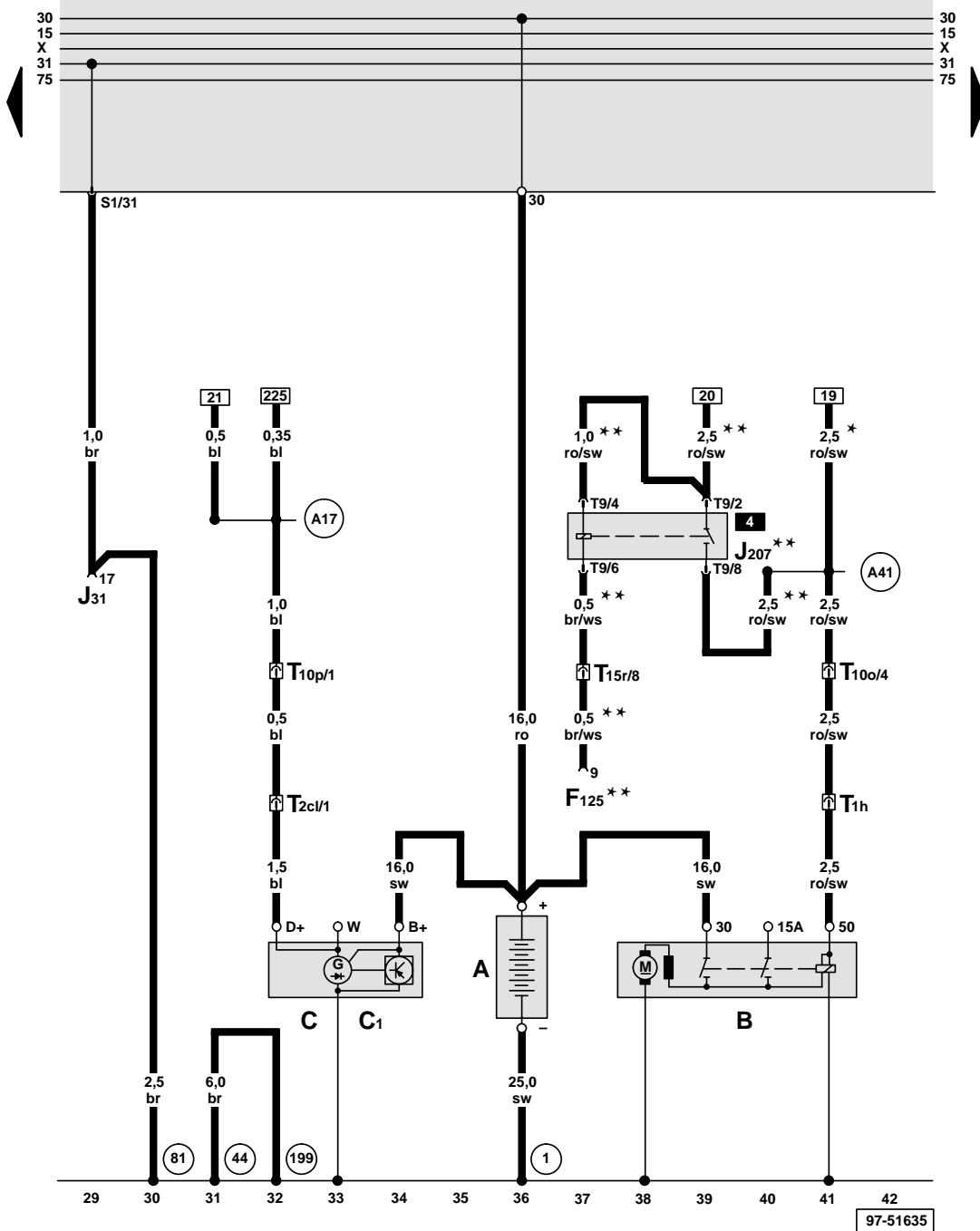
- \* - Models with manual gearbox
- \*\* - Models with automatic gearbox 01V
- \*\*\* - Models with petrol engines

ws = white  
 sw = black  
 ro = red  
 br = brown  
 gn = green  
 bl = blue  
 gr = grey  
 li = purple  
 ge = yellow  
 or = orange

15 16 17 18 19 20 21 22 23 24 25 26 27 28

97-51634

### Battery, starter, alternator, starter inhibitor relay



- A - Battery
- B - Starter
- C - Alternator
- C1 - Voltage regulator
- F125 - Multi-function switch
- J31 - Automatic intermittent wash/wipe relay
- J207 - Starter inhibitor relay
- T1h - Single connector, black, in engine compartment, right
- T2cl - 2-pin connector, black, in engine compartment, right
- T9 - 9-pin connector, brown, at starter inhibitor relay
- T10o - 10-pin connector, brown, connector point, electronics box, plenum chamber
- T10p - 10-pin connector, black, connector point, electronics box, plenum chamber
- T15r - 15-pin connector, blue, connector point, A pillar, right

- (1) - Earth strap, battery - body
- (44) - Earth point, lower part of left A-pillar
- (81) - Earth connection -1-, in dash panel wiring harness
- (199) - Earth connection -3-, in dash panel wiring harness
- (A17) - Connection (61), in dash panel wiring harness
- (A41) - Positive (+) connection (50), in dash panel wiring harness

- \* - Models with manual gearbox
- \*\* - Models with automatic gearbox 01V

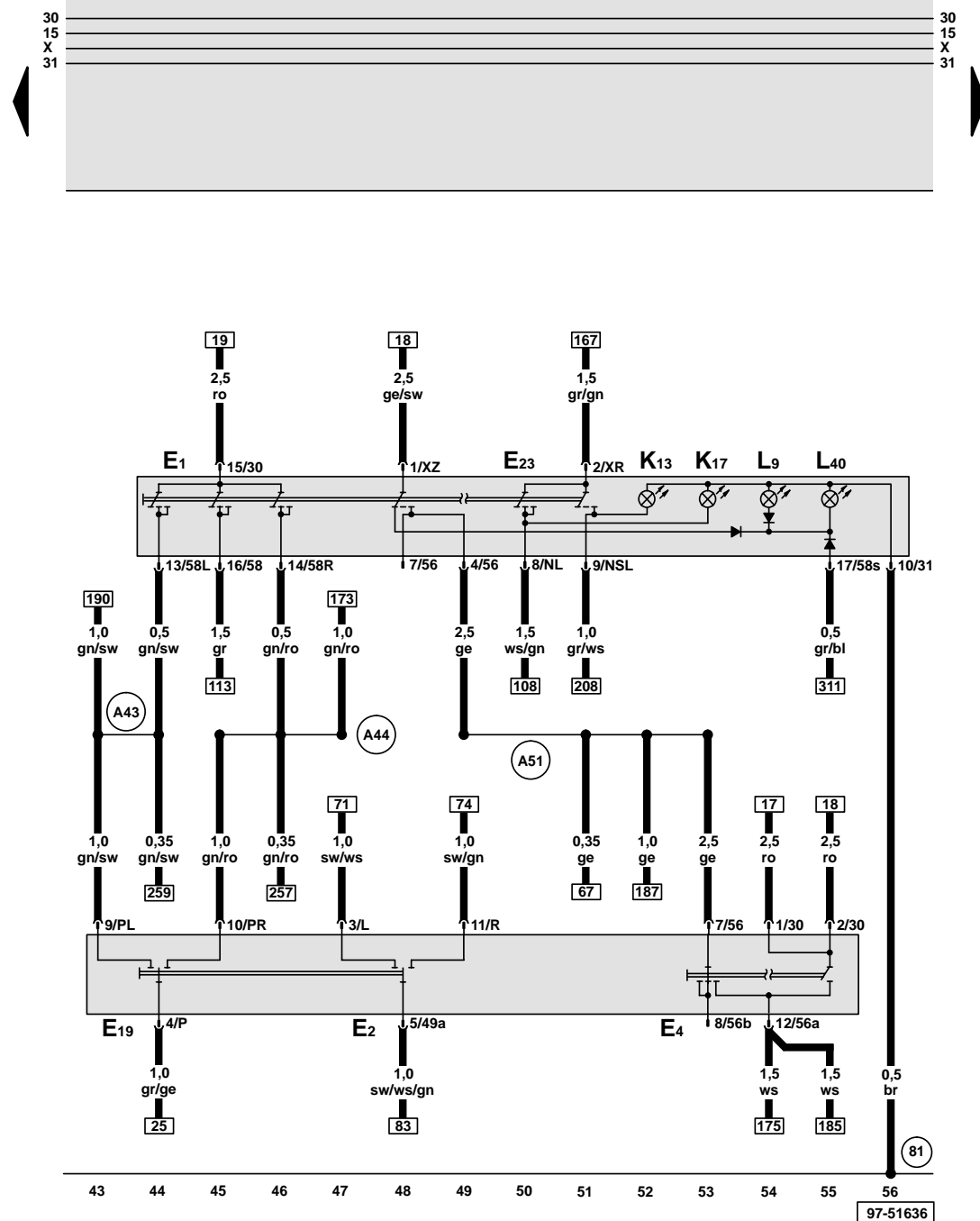
ws = white  
 sw = black  
 ro = red  
 br = brown  
 gn = green  
 bl = blue  
 gr = grey  
 li = purple  
 ge = yellow  
 or = orange

97-51635

### Lighting switch, left steering column switch, front and rear fog light switch

- E1 - Lighting switch
- E2 - Turn signal switch
- E4 - Headlight dipper/flasher switch
- E19 - Parking light switch
- E23 - Front and rear fog light switch
- K13 - Rear fog light warning lamp
- K17 - Fog light warning lamp
- L9 - Lighting switch light bulb
- L40 - Front and rear fog light switch illumination bulb

- (81) - Earth connection -1-, in dash panel wiring harness
- (A43) - Connection (57L), in dash panel wiring harness
- (A44) - Connection (57R), in dash panel wiring harness
- (A51) - Connection (56), in dash panel wiring harness



ws = white  
 sw = black  
 ro = red  
 br = brown  
 gn = green  
 bl = blue  
 gr = grey  
 li = purple  
 ge = yellow  
 or = orange

97-51636

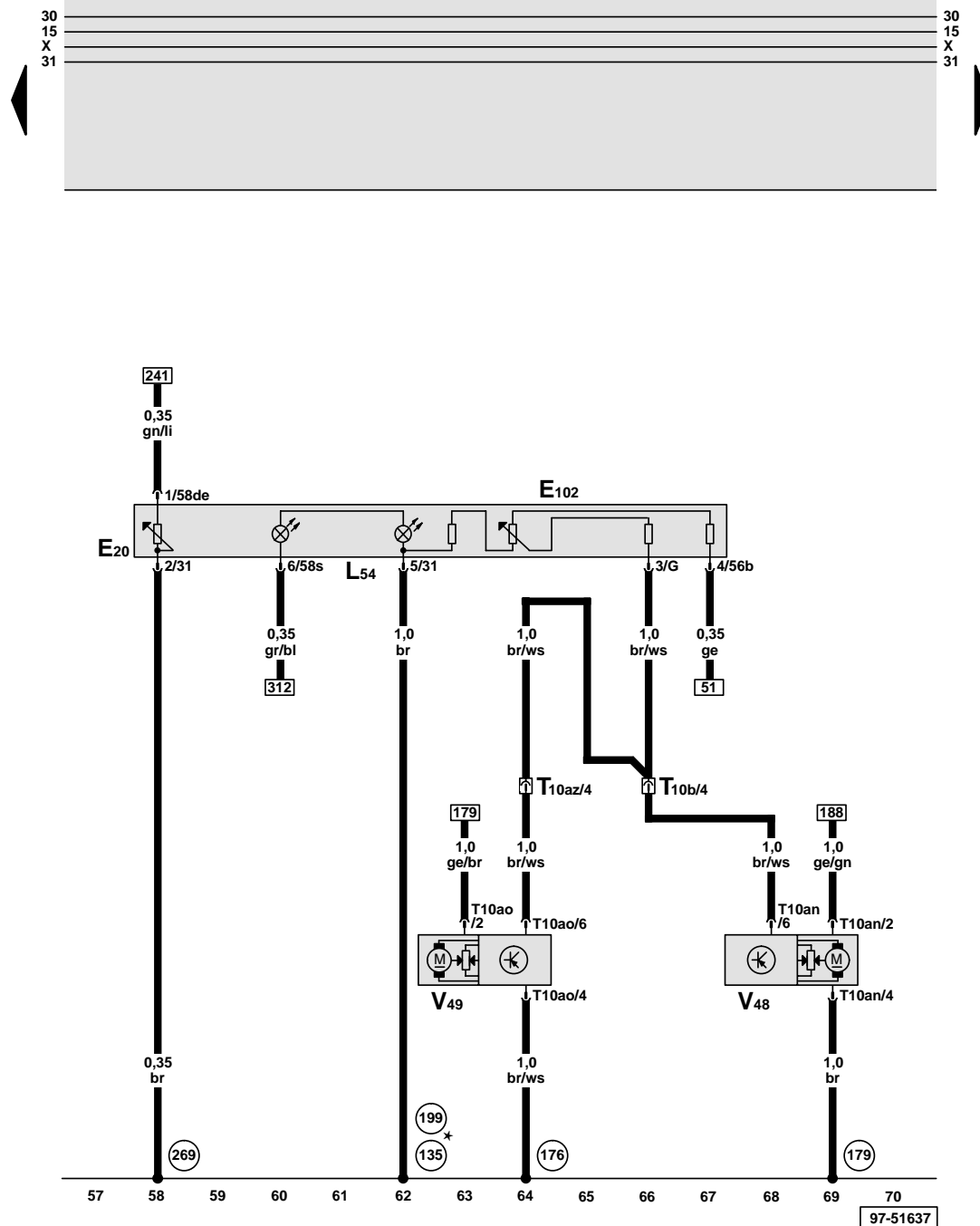
### Switches and instruments - lighting control, headlight range control

- E20 - Switches and instruments, lighting control
- E102 - Headlight range control adjuster
- L54 - Headlight range control adjuster light bulb
- T10b - 10-pin connector, red, connector point, A pillar, left
- T10an - 10-pin connector, on headlight, left
- T10ao - 10-pin connector, on headlight, right
- T10az - 10-pin connector, red, connector point, A pillar, right
- V48 - Headlight range control motor, left
- V49 - Headlight range control motor, right

- (135) - Earth connection -2-, in dash panel wiring harness
- (176) - Earth connection, in right headlight wiring harness
- (179) - Earth connection, in left headlight wiring harness
- (199) - Earth connection -3-, in dash panel wiring harness
- (269) - Earth connection (sender earth) -1-, in dash panel wiring harness

\* - Both possible

ws = white  
 sw = black  
 ro = red  
 br = brown  
 gn = green  
 bl = blue  
 gr = grey  
 li = purple  
 ge = yellow  
 or = orange

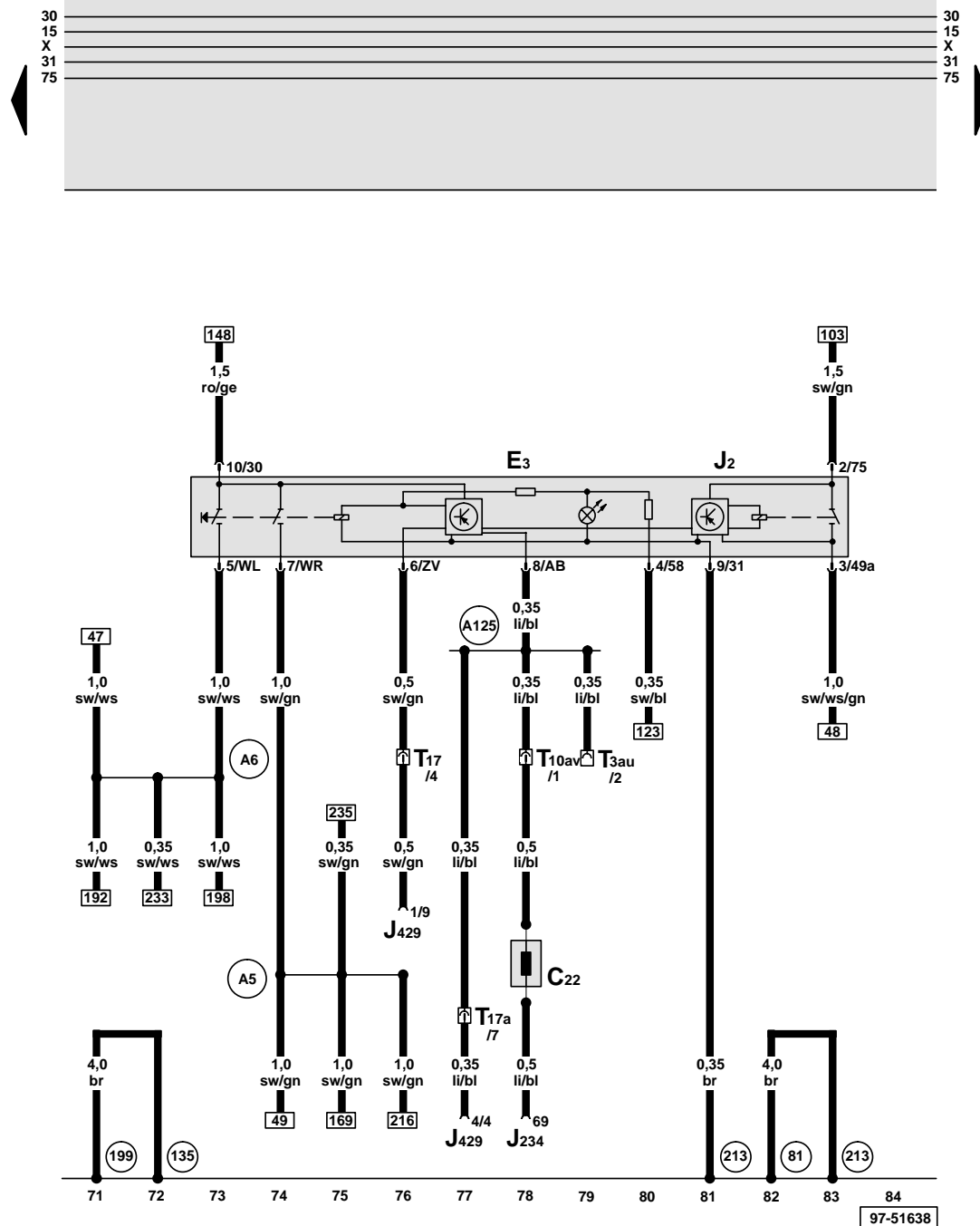


### Hazard warning light switch

- C22 - Interference suppression choke for airbag
- E3 - Hazard warning light switch
- J2 - Hazard warning light relay
- J234 - Airbag control unit
- J429 - Central locking control unit
- T3au - 3-pin connector, red, connector point, electronics box, plenum chamber
- T10av - 10-pin connector, yellow, connector point, A pillar, right
- T15v - 15-pin connector, orange, connector point, A pillar, right
- T17 - 17-pin connector, orange, connector point, A pillar, right
- T17a - 17-pin connector, brown, connector point, A pillar, right

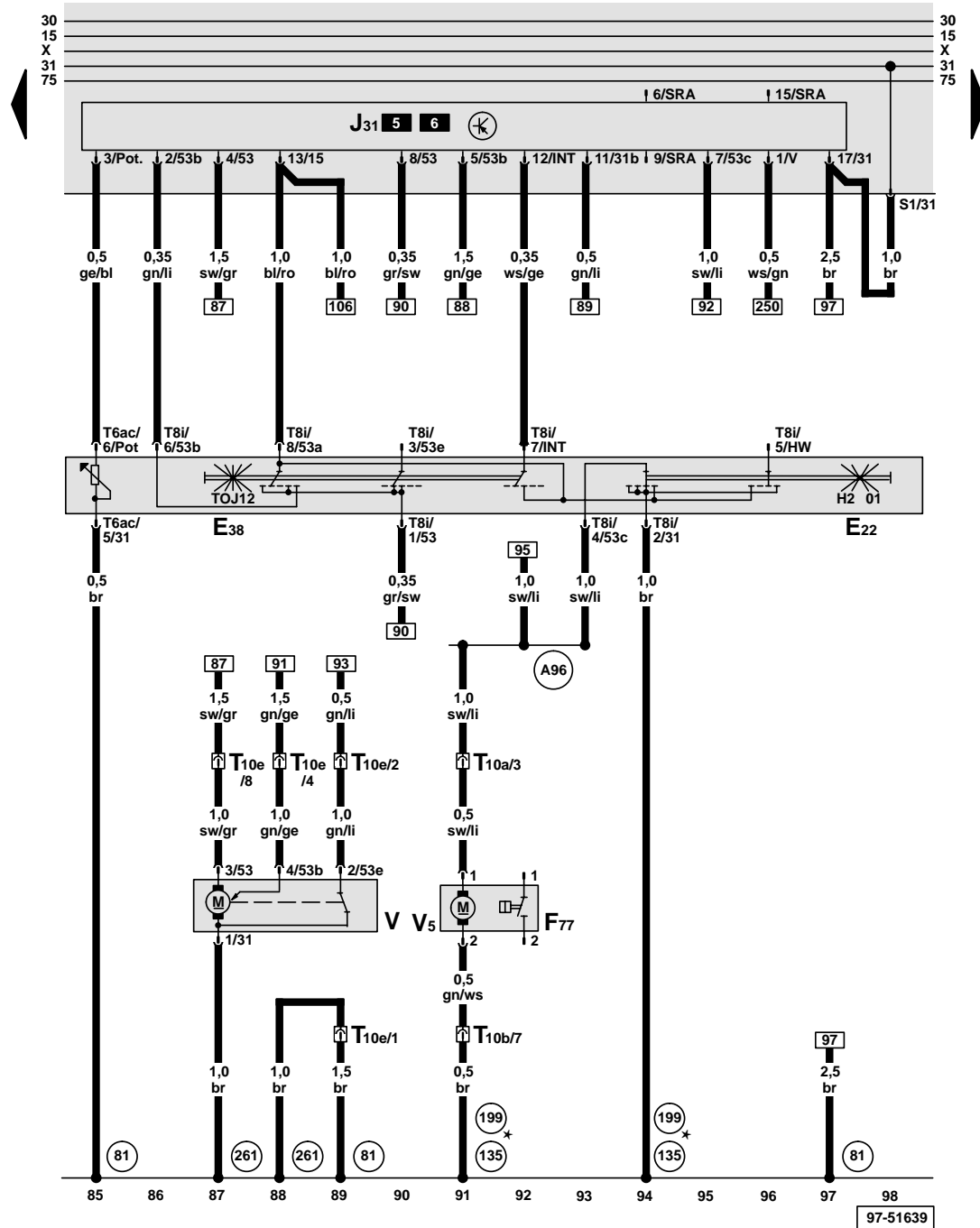
- (81) - Earth connection -1-, in dash panel wiring harness
- (135) - Earth connection -2-, in dash panel wiring harness
- (199) - Earth connection -3-, in dash panel wiring harness
- (213) - Earth connection -4-, in dash panel wiring harness
- (A5) - Positive (+) connection (right turn signal), in dash panel wiring harness
- (A6) - Positive (+) connection (turn signal, left), in dash panel wiring harness
- (A125) - Connection (crash signal), in dash panel wiring harness

ws = white  
 sw = black  
 ro = red  
 br = brown  
 gn = green  
 bl = blue  
 gr = grey  
 li = purple  
 ge = yellow  
 or = orange



### Windscreen washer/wiper system

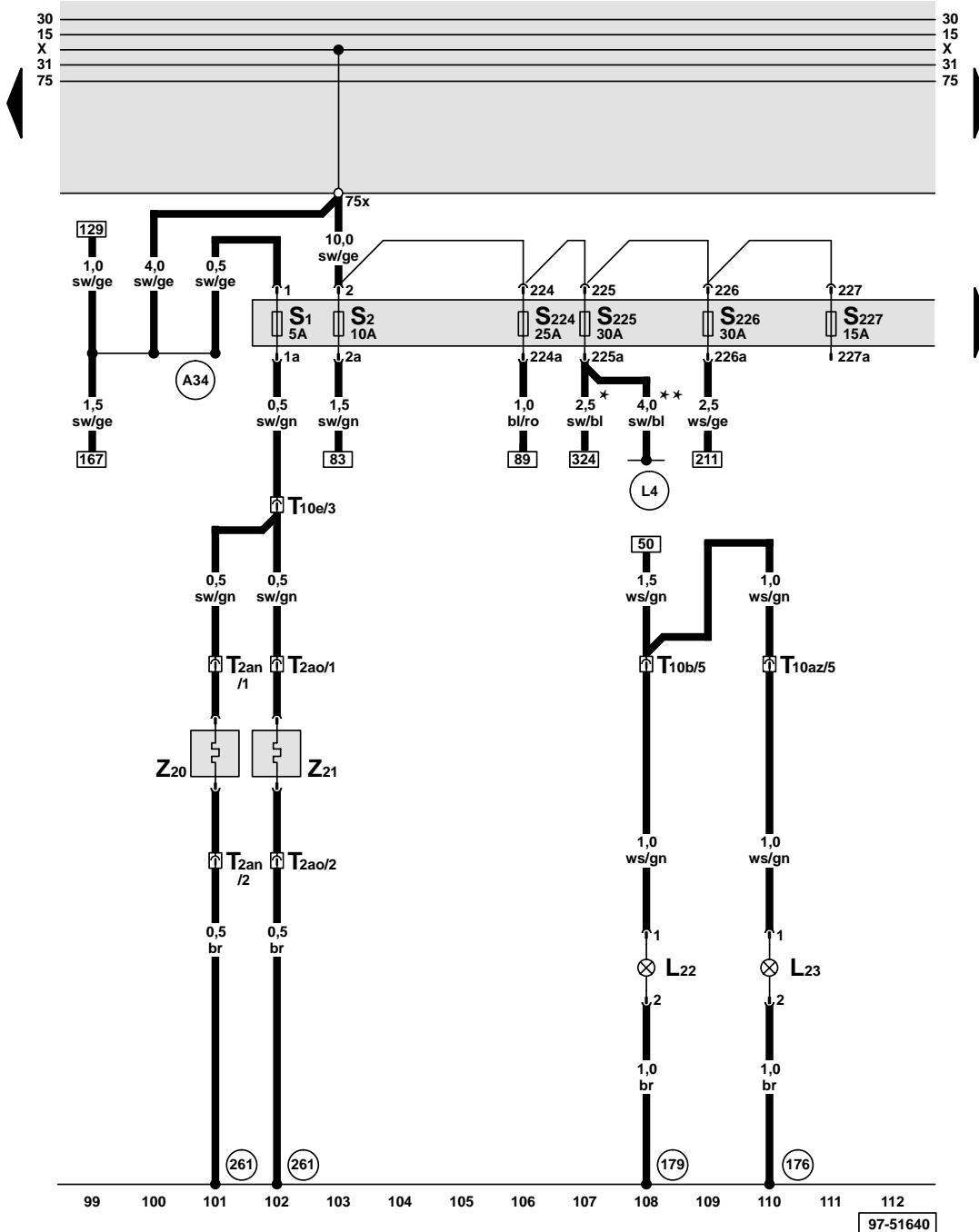
- E22 - Intermittent wiper switch
  - E38 - Intermittent wiper control
  - F77 - Windscreen washer fluid warning contact
  - J31 - Automatic intermittent wash/wipe relay
  - T6ac - 6-pin connector, brown, on intermittent wiper control
  - T8i - 8-pin connector, black, at wiper switch
  - T10a - 10-pin connector, pink, connector point, A pillar, left
  - T10b - 10-pin connector, red, connector point, A pillar, left
  - T10e - 10-pin connector, purple, connector point, A pillar, left
  - V - Windscreen wiper motor
  - V5 - Windscreen washer pump
- (81) - Earth connection -1-, in dash panel wiring harness
  - (135) - Earth connection -2-, in dash panel wiring harness
  - (199) - Earth connection -3-, in dash panel wiring harness
  - (261) - Earth connection, in heated washer jet wiring harness
  - (A96) - Connection (53c), in dash panel wiring harness
- \* - Both possible



ws = white  
 sw = black  
 ro = red  
 br = brown  
 gn = green  
 bl = blue  
 gr = grey  
 li = purple  
 ge = yellow  
 or = orange



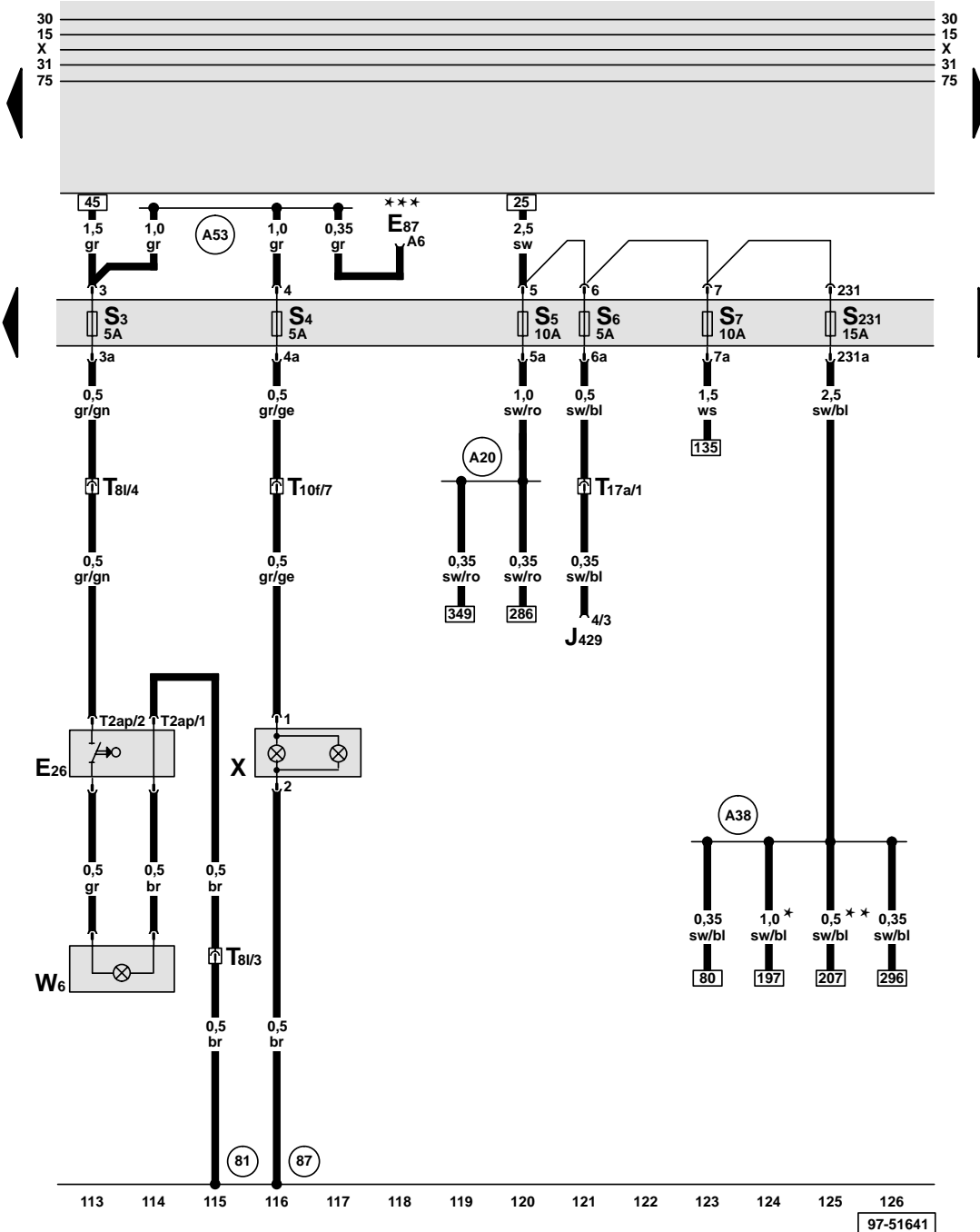
### Fuse box, heated washer jets, front fog lights



- L22 - Fog light bulb, left
  - L23 - Fog light bulb, right
  - S1 - Fuse in fuse box
  - S2 - Fuse in fuse box
  - S224 - Fuse in fuse box
  - S225 - Fuse in fuse box
  - S226 - Fuse in fuse box
  - S227 - Fuse in fuse box
  - T2an - 2-pin connector, washer jet, left
  - T2ao - 2-pin connector, washer jet, right
  - T10b - 10-pin connector, red, connector point, A pillar, left
  - T10e - 10-pin connector, purple, connector point, A pillar, left
  - T10az - 10-pin connector, red, connector point, A pillar, right
  - Z20 - Heater element, left washer jet
  - Z21 - Heater element, right washer jet
- (176) - Earth connection, in right headlight wiring harness
  - (179) - Earth connection, in left headlight wiring harness
  - (261) - Earth connection, in heated washer jet wiring harness
  - (A34) - Connection (75x), in dash panel wiring harness
  - (L4) - Connection (75 al), in air conditioner wiring harness
- \* - Models without air conditioner
  - \*\* - Models with air conditioner

ws = white  
 sw = black  
 ro = red  
 br = brown  
 gn = green  
 bl = blue  
 gr = grey  
 li = purple  
 ge = yellow  
 or = orange

### Fuse box, number plate light, glove box light

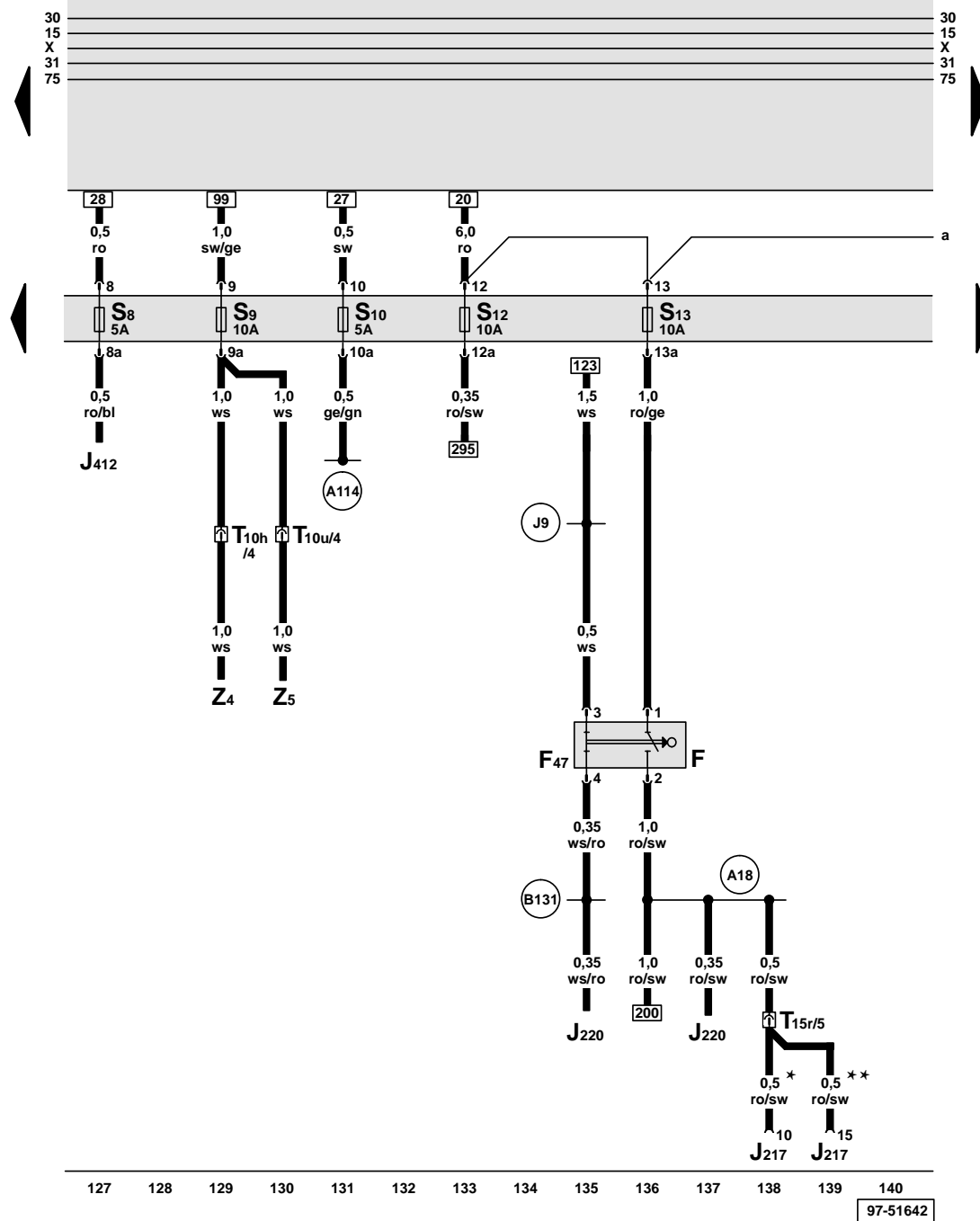


- E26 - Glove box light switch
  - E87 - Control and display unit for air conditioner
  - J429 - Central locking control unit
  - S3 - Fuse in fuse box
  - S4 - Fuse in fuse box
  - S5 - Fuse in fuse box
  - S6 - Fuse in fuse box
  - S7 - Fuse in fuse box
  - S231 - Fuse in fuse box
  - T2ap - 2-pin connector, black, behind dash panel, right
  - T81 - 8-pin connector, behind dash panel, right
  - T10f - 10-pin connector, brown, connector point, A pillar, left
  - T17a - 17-pin connector, brown, connector point, A pillar, right
  - W6 - Glove box light
  - X - Number plate light
- (81) - Earth connection -1-, in dash panel wiring harness
  - (87) - Earth connection -2-, in rear wiring harness
  - (A20) - Connection (15a), in dash panel wiring harness
  - (A38) - Positive (+) connection -2- (15a), in dash panel wiring harness
  - (A53) - Positive (+) connection (58), in dash panel wiring harness
- \* - Models with manual gearbox
  - \*\* - Models with automatic gearbox 01V
  - \*\*\* - Models with air conditioner

ws = white  
 sw = black  
 ro = red  
 br = brown  
 gn = green  
 bl = blue  
 gr = grey  
 li = purple  
 ge = yellow  
 or = orange

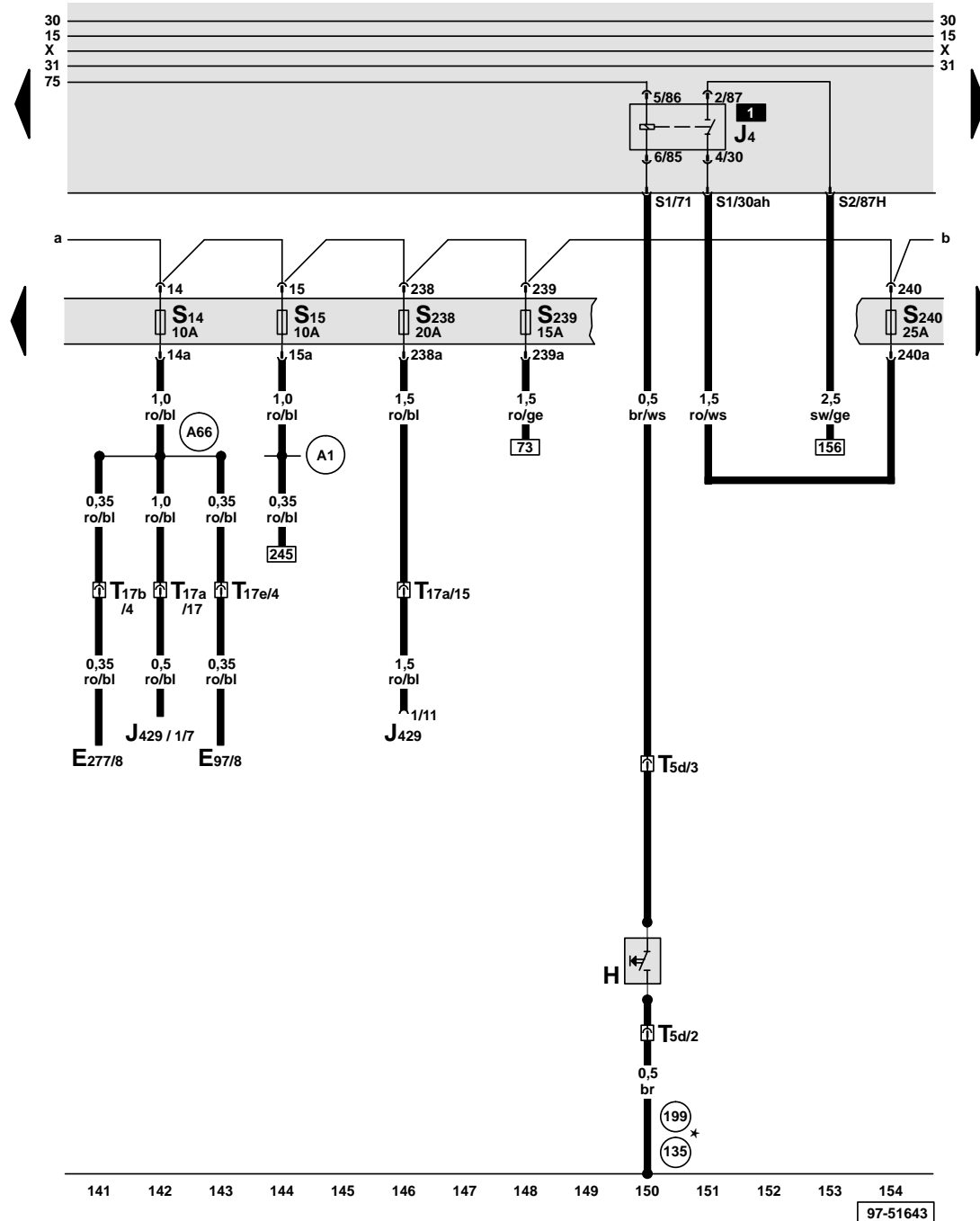
97-51641

### Fuse box, heated exterior mirror, brake light switch



- F – Brake light switch
- F47 – Cruise control system brake pedal switch (diesel direct injection system)
- J217 – Automatic gearbox control unit
- J220 – Motronic control unit
- J412 – Operating electronics control unit, telephone
- S8 – Fuse in fuse box
- S9 – Fuse in fuse box
- S10 – Fuse in fuse box
- S12 – Fuse in fuse box
- S13 – Fuse in fuse box
- T10h – 10-pin connector, black, connector point, A pillar, left
- T10u – 10-pin connector, black, connector point, A pillar, right
- T15r – 15-pin connector, blue, connector point, A pillar, right
- Z4 – Heated exterior mirror, driver's side
- Z5 – Heated exterior mirror, front passenger's side
- (A18) – Connection (54), in dash panel wiring harness
- (A114) – Connection (headlight range control), in dash panel wiring harness
- (B131) – Connection (54), in interior wiring harness
- (J9) – Connection -1- (15a), in ABS wiring harness
- \* – Models with automatic gearbox 01V
- \*\* – Models with automatic gearbox 01N

ws = white  
 sw = black  
 ro = red  
 br = brown  
 gn = green  
 bl = blue  
 gr = grey  
 li = purple  
 ge = yellow  
 or = orange



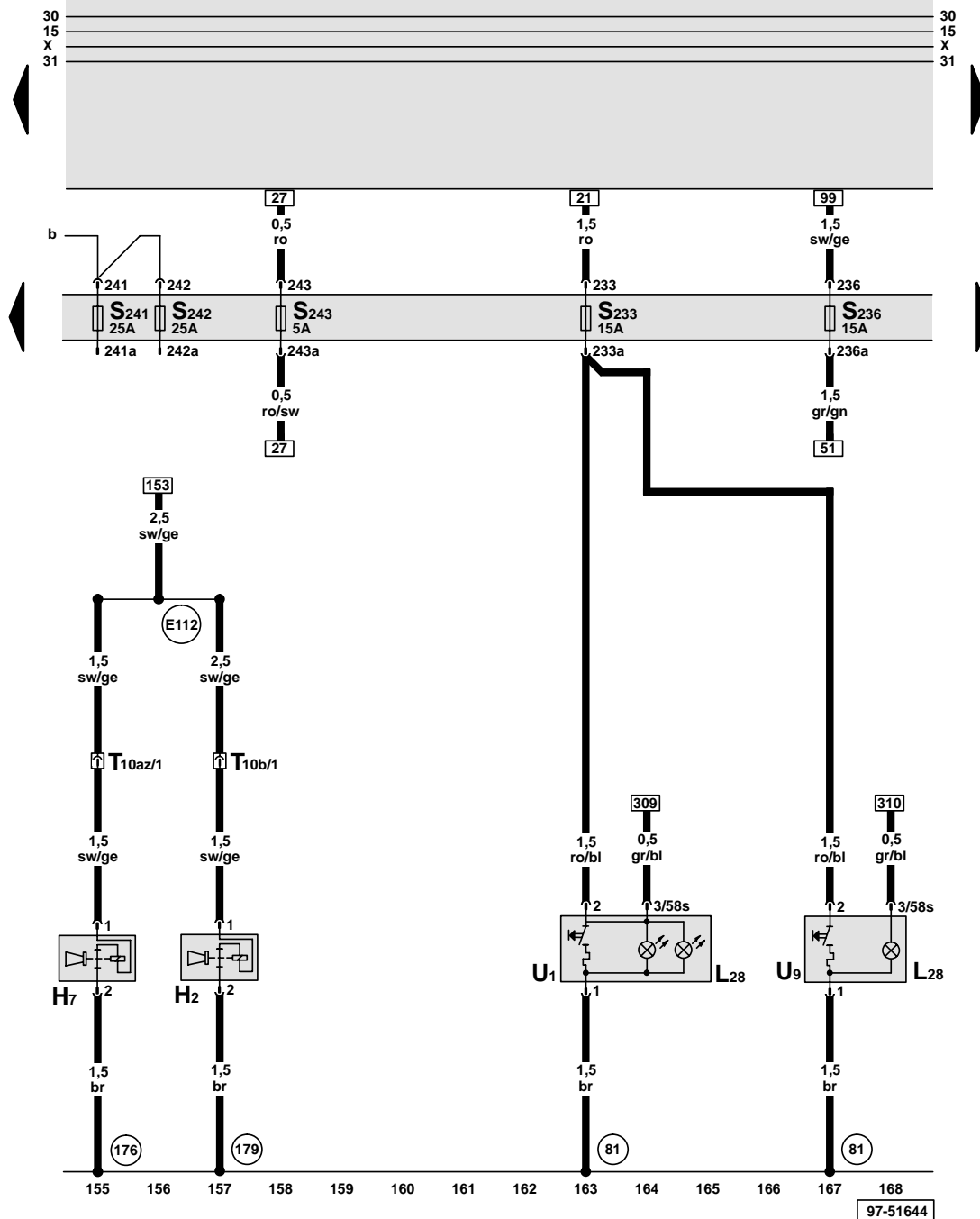
### Fuse box, horn relay

- E97 – Memory operating unit
  - E277 – Memory operating unit, front passenger's seat
  - H – Horn plate
  - J4 – Dual tone horn relay
  - J429 – Central locking control unit
  - S14 – Fuse in fuse box
  - S15 – Fuse in fuse box
  - S238 – Fuse in fuse box
  - S239 – Fuse in fuse box
  - S240 – Fuse in fuse box
  - T5d – 5-pin connector, yellow, behind steering column switch trim
  - T17a – 17-pin connector, brown, connector point, A pillar, right
  - T17b – 17-pin connector, black, connector point, A pillar, right
  - T17e – 17-pin connector, black, connector point, A pillar, left
- (135) – Earth connection -2-, in dash panel wiring harness
  - (199) – Earth connection -3-, in dash panel wiring harness
  - (A1) – Positive (+) connection (30a), in dash panel wiring harness
  - (A66) – Connection (30a, central locking/anti-theft alarm system/infra-red remote control), in dash panel wiring harness
- \* – Both possible

ws = white  
 sw = black  
 ro = red  
 br = brown  
 gn = green  
 bl = blue  
 gr = grey  
 li = purple  
 ge = yellow  
 or = orange

### Fuse box, front and rear cigarette lighters, horn

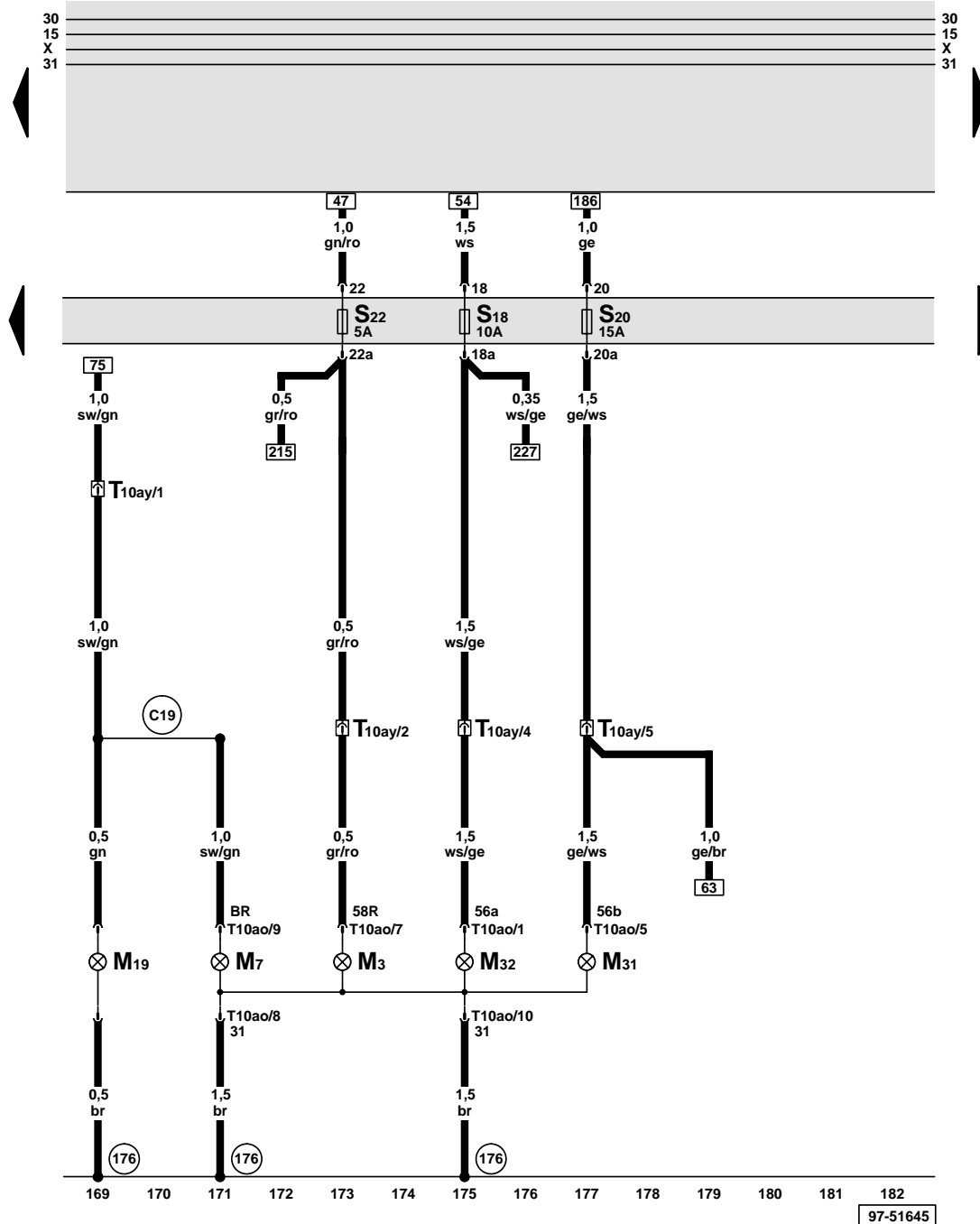
- H2 - High tone horn
- H7 - Low tone horn
- L28 - Cigarette lighter light bulb
- S233 - Fuse in fuse box
- S236 - Fuse in fuse box
- S241 - Fuse in fuse box
- S242 - Fuse in fuse box
- S243 - Fuse in fuse box
- T10b - 10-pin connector, red, connector point, A pillar, left
- T10az - 10-pin connector, red, connector point, A pillar, right
- U1 - Cigarette lighter
- U9 - Cigarette lighter, rear
- (81) - Earth connection -1-, in dash panel wiring harness
- (176) - Earth connection, in right headlight wiring harness
- (179) - Earth connection, in left headlight wiring harness
- (E112) - Connection (horn-87 h), in dash panel wiring harness



97-51644

### Fuse box, right headlight

- M3 - Side light bulb, right
  - M7 - Turn signal bulb, front right
  - M19 - Side turn signal bulb, right
  - M31 - Dipped beam bulb, right
  - M32 - Main beam bulb, right
  - S18 - Fuse in fuse box
  - S20 - Fuse in fuse box
  - S22 - Fuse in fuse box
  - T10ao - 10-pin connector, on headlight, right
  - T10ay - 10-pin connector, pink, connector point, A pillar, right
- (176) - Earth connection, in right headlight wiring harness
  - (C19) - Connection -1- (turn signal, right), in headlight wiring harness

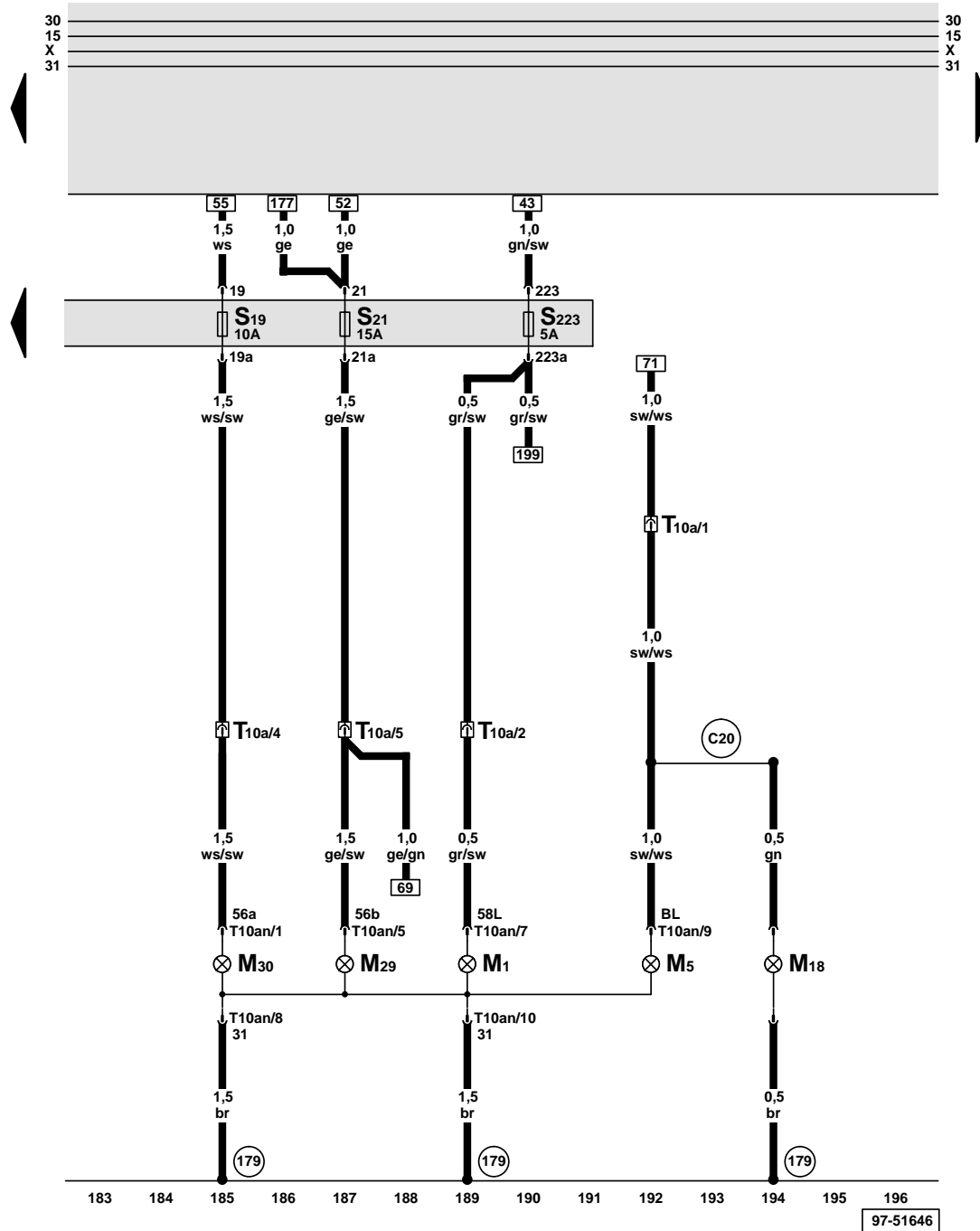


ws = white  
 sw = black  
 ro = red  
 br = brown  
 gn = green  
 bl = blue  
 gr = grey  
 li = purple  
 ge = yellow  
 or = orange

97-51645

### Fuse box, left headlight

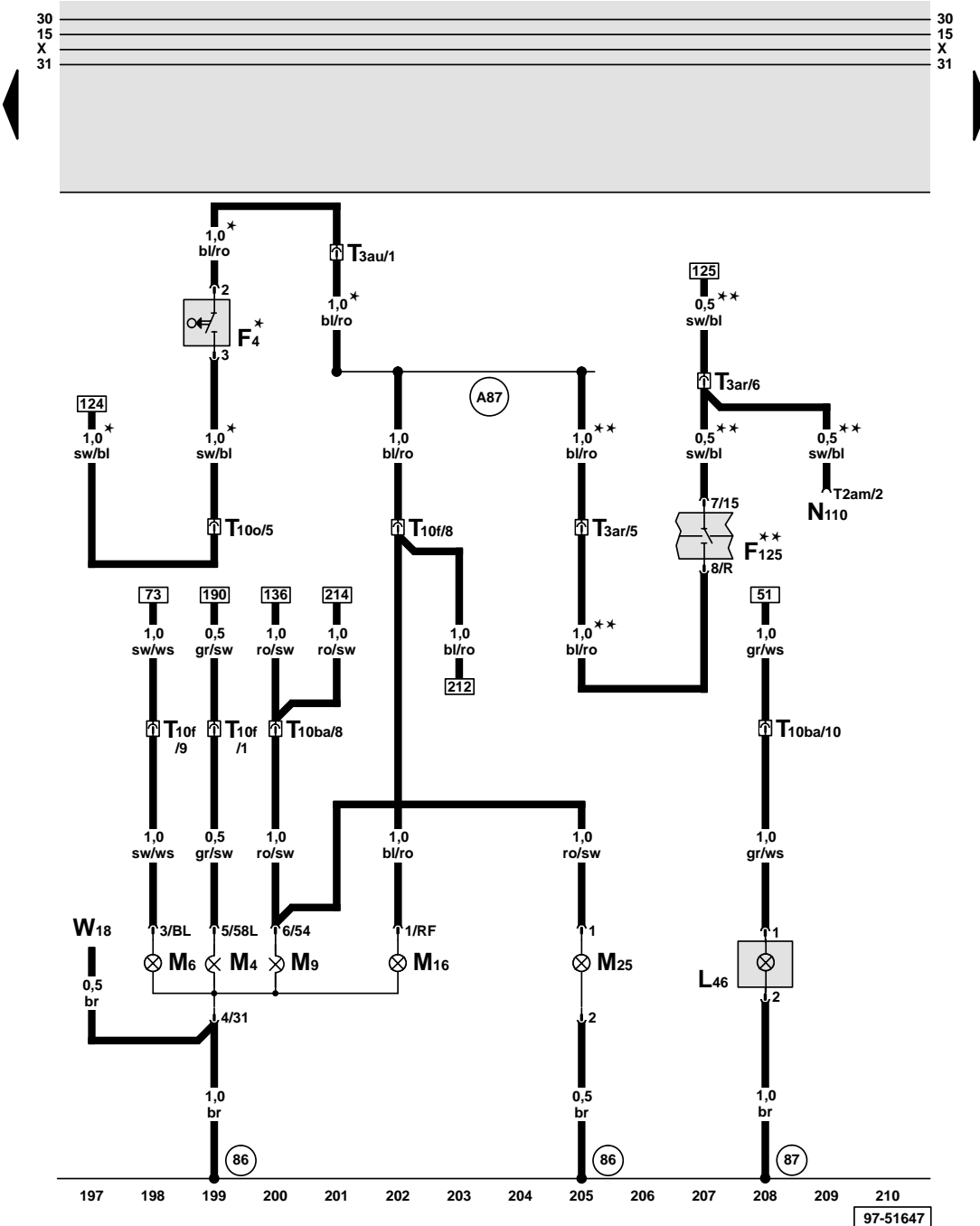
- M1 – Side light bulb, left
  - M5 – Turn signal bulb, front left
  - M18 – Side turn signal bulb, left
  - M29 – Dipped beam bulb, left
  - M30 – Main beam bulb, left
  - S19 – Fuse in fuse box
  - S21 – Fuse in fuse box
  - S223 – Fuse 23 in fuse box
  - T10a – 10-pin connector, pink, connector point, A pillar, left
  - T10an – 10-pin connector, on headlight, left
- (179) – Earth connection, in left headlight wiring harness
  - (C20) – Connection (turn signal, left), in headlight wiring harness



ws = white  
 sw = black  
 ro = red  
 br = brown  
 gn = green  
 bl = blue  
 gr = grey  
 li = purple  
 ge = yellow  
 or = orange

97-51646

### Left tail light, reversing light, high level brake light bulb



- F4 - Reversing light switch
- F125 - Multi-function switch
- L46 - Rear fog light bulb, left
- M4 - Tail light bulb, left
- M6 - Turn signal bulb, rear left
- M9 - Brake light bulb, left
- M16 - Reversing light bulb, left
- M25 - High level brake light bulb
- N110 - Selector lever lock solenoid
- T2am - 2-pin connector, black, on selector lever console
- T3ar - 3-pin connector, blue, connector point, A pillar, right
- T3au - 3-pin connector, red, connector point, electronics box, plenum chamber
- T10f - 10-pin connector, brown, connector point, A pillar, left
- T10o - 10-pin connector, brown, connector point, electronics box, plenum chamber
- T10ba - 10-pin connector, blue, connector point, A pillar, left
- W18 - Luggage compartment light, left
- 86 - Earth connection -1-, in rear wiring harness
- 87 - Earth connection -2-, in rear wiring harness
- A87 - Connection (RL), in dash panel wiring harness
- \* - Models with manual gearbox
- \*\* - Models with automatic gearbox 01V

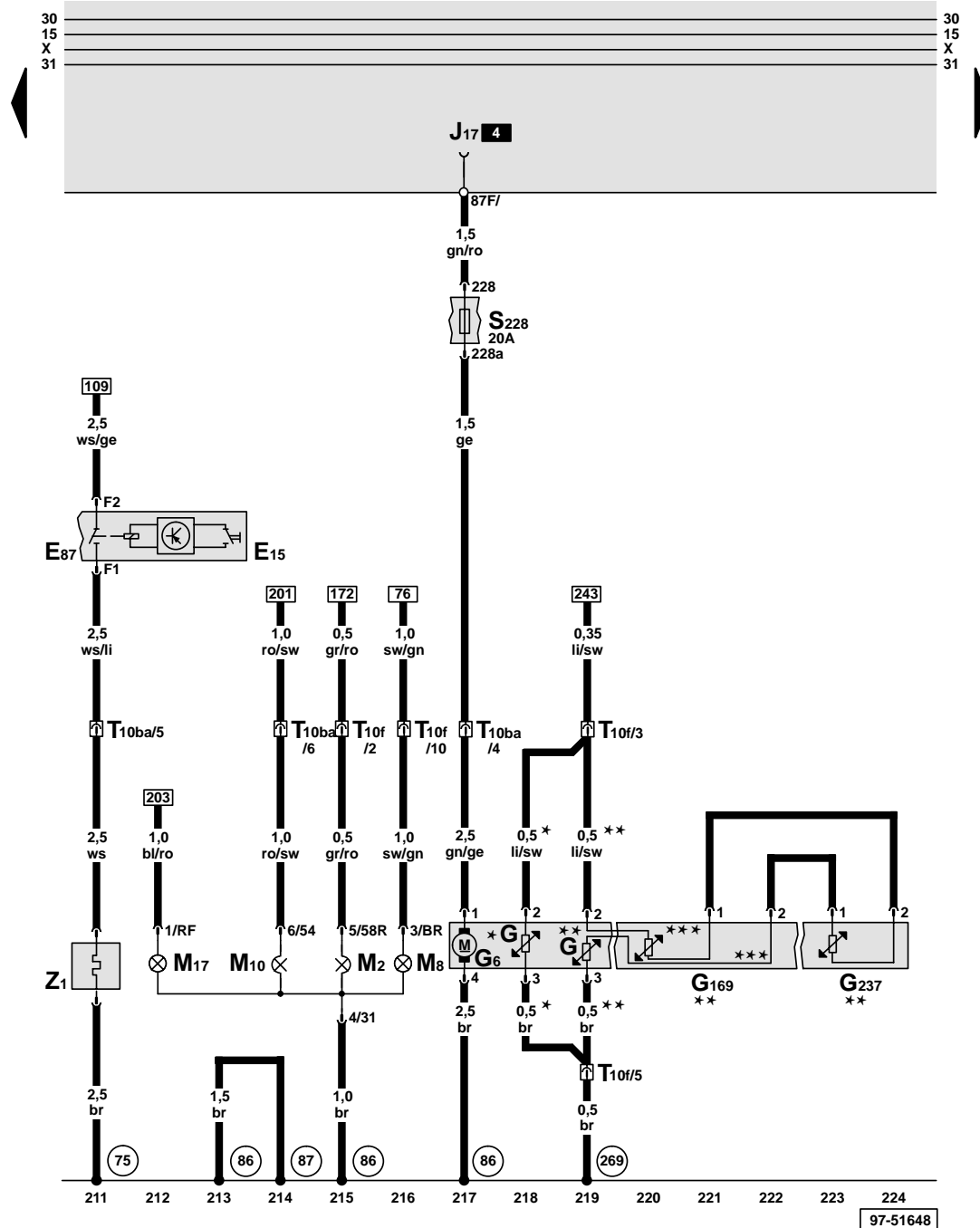
ws = white  
 sw = black  
 ro = red  
 br = brown  
 gn = green  
 bl = blue  
 gr = grey  
 li = purple  
 ge = yellow  
 or = orange

97-51647



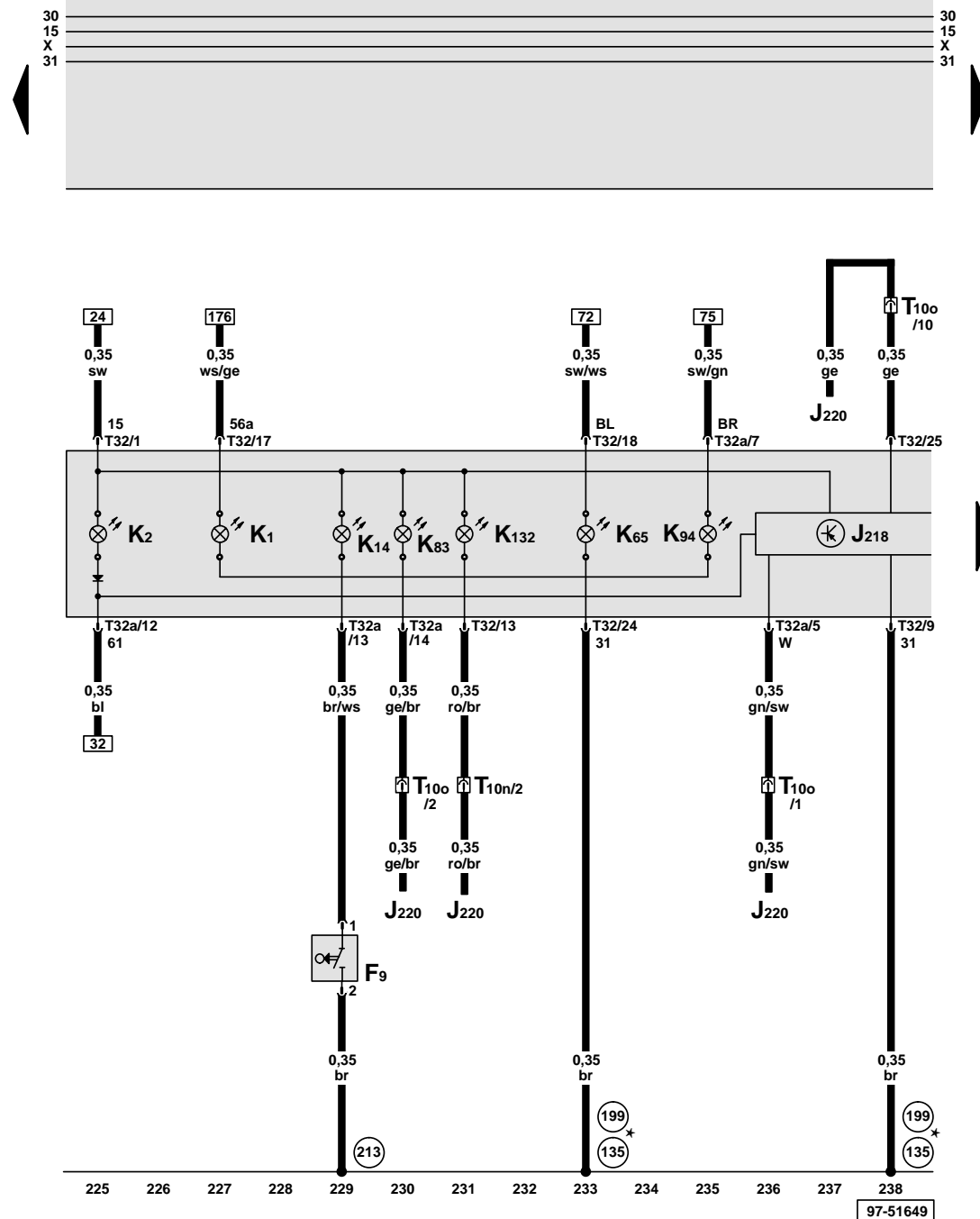
### Right tail light, fuel pump, fuel gauge senders, heated rear window

- E15 – Heated rear window switch
  - E87 – Control and display unit for air conditioner
  - G – Fuel gauge sender
  - G6 – Fuel pump (pre-supply pump)
  - G169 – Fuel gauge sender 2
  - G237 – Fuel gauge sender 3
  - J17 – Fuel pump relay
  - M2 – Tail light bulb, right
  - M8 – Turn signal bulb, rear right
  - M10 – Brake light bulb, right
  - M17 – Reversing light bulb, right
  - S228 – Fuse in fuse box
  - T10f – 10-pin connector, brown, connector point, A pillar, left
  - T10ba – 10-pin connector, blue, connector point, A pillar, left
  - Z1 – Heated rear window
- ⊖75 – Earth point, right rear pillar
  - ⊖86 – Earth connection -1-, in rear wiring harness
  - ⊖87 – Earth connection -2-, in rear wiring harness
  - ⊖269 – Earth connection (sender earth) -1-, in dash panel wiring harness
- \* – Models with front-wheel drive
  - \*\* – Models with four-wheel drive
  - \*\*\* – Wiring in fuel tank



### Dash panel insert, warning lamp

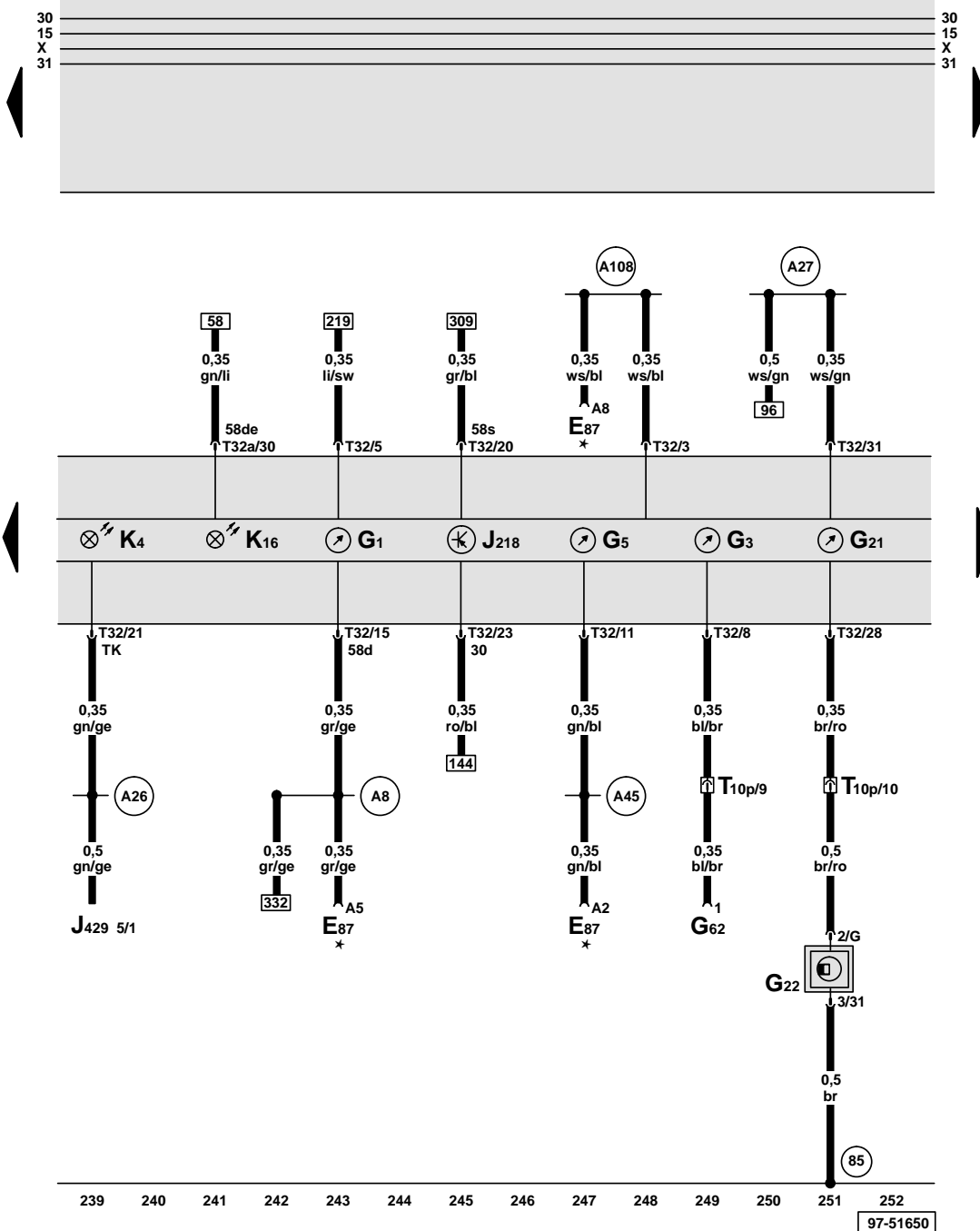
- F9 - Handbrake warning switch
  - J218 - Combi-processor in dash panel insert
  - J220 - Motronic control unit
  - K1 - Main beam warning lamp
  - K2 - Alternator warning lamp
  - K14 - Handbrake warning lamp
  - K65 - Left turn signal warning lamp
  - K83 - Fault warning lamp for self-diagnosis/exhaust emissions
  - K94 - Right turn signal warning lamp
  - K132 - Electronic power control fault lamp
  - T10n - 10-pin connector, orange, connector point, electronics box, plenum chamber
  - T10o - 10-pin connector, brown, connector point, electronics box, plenum chamber
  - T32 - 32-pin connector, blue, on dash panel insert
  - T32a - 32-pin connector, green, on dash panel insert
- (135) - Earth connection -2-, in dash panel wiring harness
  - (199) - Earth connection -3-, in dash panel wiring harness
  - (213) - Earth connection -4-, in dash panel wiring harness
- \* - Both possible



ws = white  
 sw = black  
 ro = red  
 br = brown  
 gn = green  
 bl = blue  
 gr = grey  
 li = purple  
 ge = yellow  
 or = orange

97-51649

### Dash panel insert, fuel gauge, coolant temperature gauge, rev. counter, speedometer



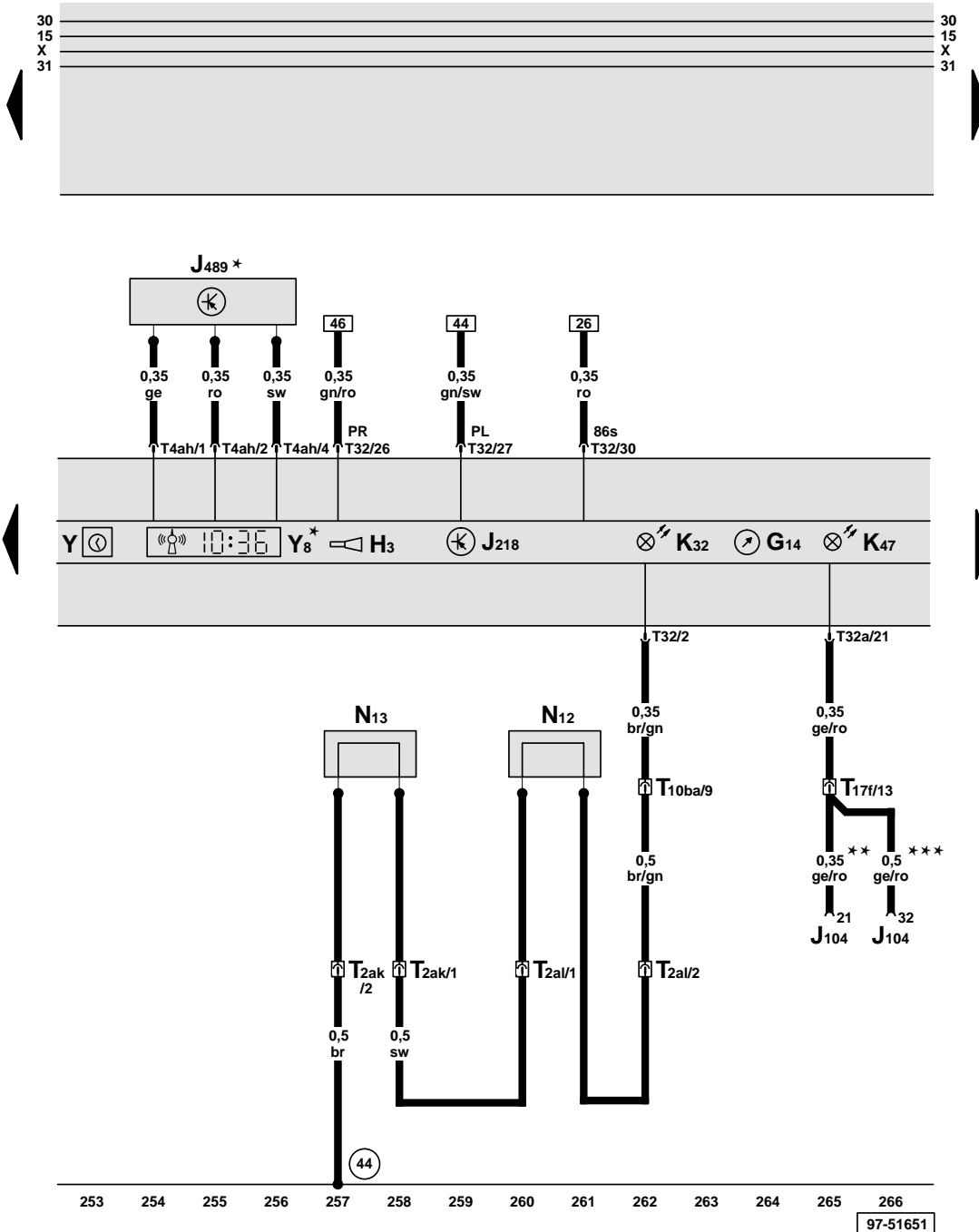
- E87 - Control and display unit for air conditioner
- G1 - Fuel gauge
- G3 - Coolant temperature gauge
- G5 - Rev. counter
- G21 - Speedometer
- G22 - Speedometer sender (Hall sender, on gearbox)
- G62 - Coolant temperature sender
- J218 - Combi-processor in dash panel insert
- J429 - Central locking control unit
- K4 - Side light warning lamp
- K16 - Reserve fuel warning lamp
- T10p - 10-pin connector, black, connector point, electronics box, plenum chamber
- T32 - 32-pin connector, blue, on dash panel insert
- T32a - 32-pin connector, green, on dash panel insert

- (85) - Earth connection -1-, in engine compartment wiring harness
- (A8) - Positive (+) connection (58d), in dash panel wiring harness (display illumination)
- (A26) - Connection (door contact switch/driver's side), in dash panel wiring harness
- (A27) - Connection (speed signal), in dash panel wiring harness
- (A45) - Connection (engine speed signal), in dash panel wiring harness
- (A108) - Connection (speed signal), in dash panel wiring harness

\* - Models with air conditioner

ws = white  
 sw = black  
 ro = red  
 br = brown  
 gn = green  
 bl = blue  
 gr = grey  
 li = purple  
 ge = yellow  
 or = orange

### Dash panel insert, analogue clock, brake pad/lining wear warning, radio wave controlled clock



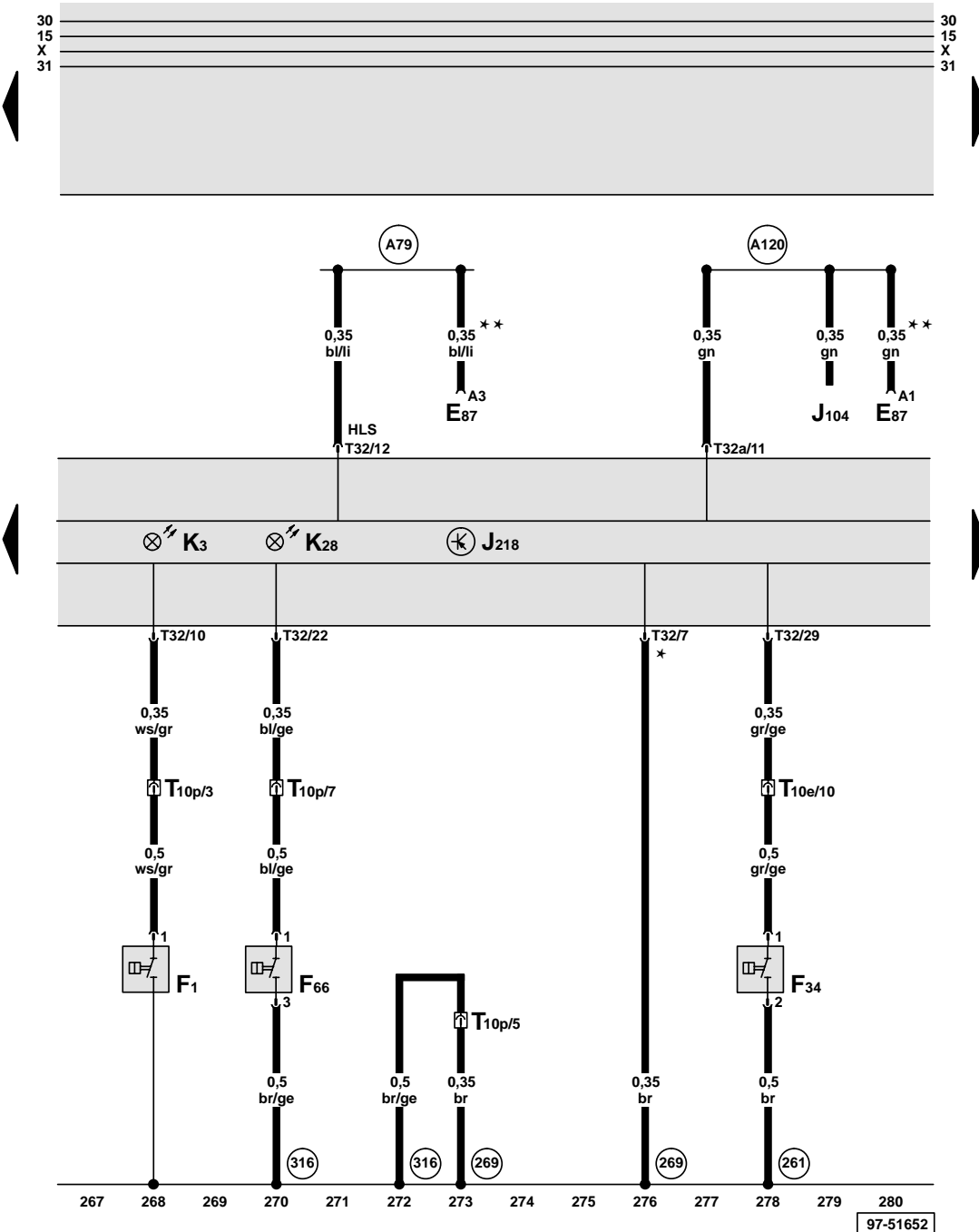
- G14 – Voltmeter
- H3 – Buzzer/gong
- J104 – ABS with EDL control unit
- J218 – Combi-processor in dash panel insert
- J489 – Radio wave clock receiver
- K32 – Brake pad/lining warning lamp
- K47 – ABS warning lamp
- N12 – Brake pad/lining wear indicator, right (shear element)
- N13 – Brake pad/lining wear indicator, left (shear element)
- T2ak – 2-pin connector, red, on bulkhead, left
- T2al – 2-pin connector, red, on bulkhead, right
- T4ah – 4-pin connector, black, on dash panel insert
- T10ba – 10-pin connector, blue, connector point, A pillar, left
- T17f – 17-pin connector, black, connector point, A pillar, left
- T32 – 32-pin connector, blue, on dash panel insert
- T32a – 32-pin connector, green, on dash panel insert
- Y – Analogue clock
- Y8 – Radio wave controlled clock

(44) – Earth point, lower part of left A-pillar

- \* – Models with radio wave controlled clock
- \*\* – Models with ABS with EDL/ASR (TCS)
- \*\*\* – Only models with ABS with ESP

ws = white  
 sw = black  
 ro = red  
 br = brown  
 gn = green  
 bl = blue  
 gr = grey  
 li = purple  
 ge = yellow  
 or = orange

### Dash panel insert, oil pressure switch, coolant shortage indicator switch, brake fluid level warning contact



- E87 - Control and display unit for air conditioner
- F1 - Oil pressure switch
- F34 - Brake fluid level warning contact
- F66 - Coolant shortage indicator switch
- J104 - ABS with EDL control unit
- J218 - Combi-processor in dash panel insert
- K3 - Oil pressure warning lamp
- K28 - Coolant temperature/coolant shortage warning lamp
- T10e - 10-pin connector, purple, connector point, A pillar, left
- T10p - 10-pin connector, black, connector point, electronics box, plenum chamber
- T32 - 32-pin connector, blue, on dash panel insert
- T32a - 32-pin connector, green, on dash panel insert

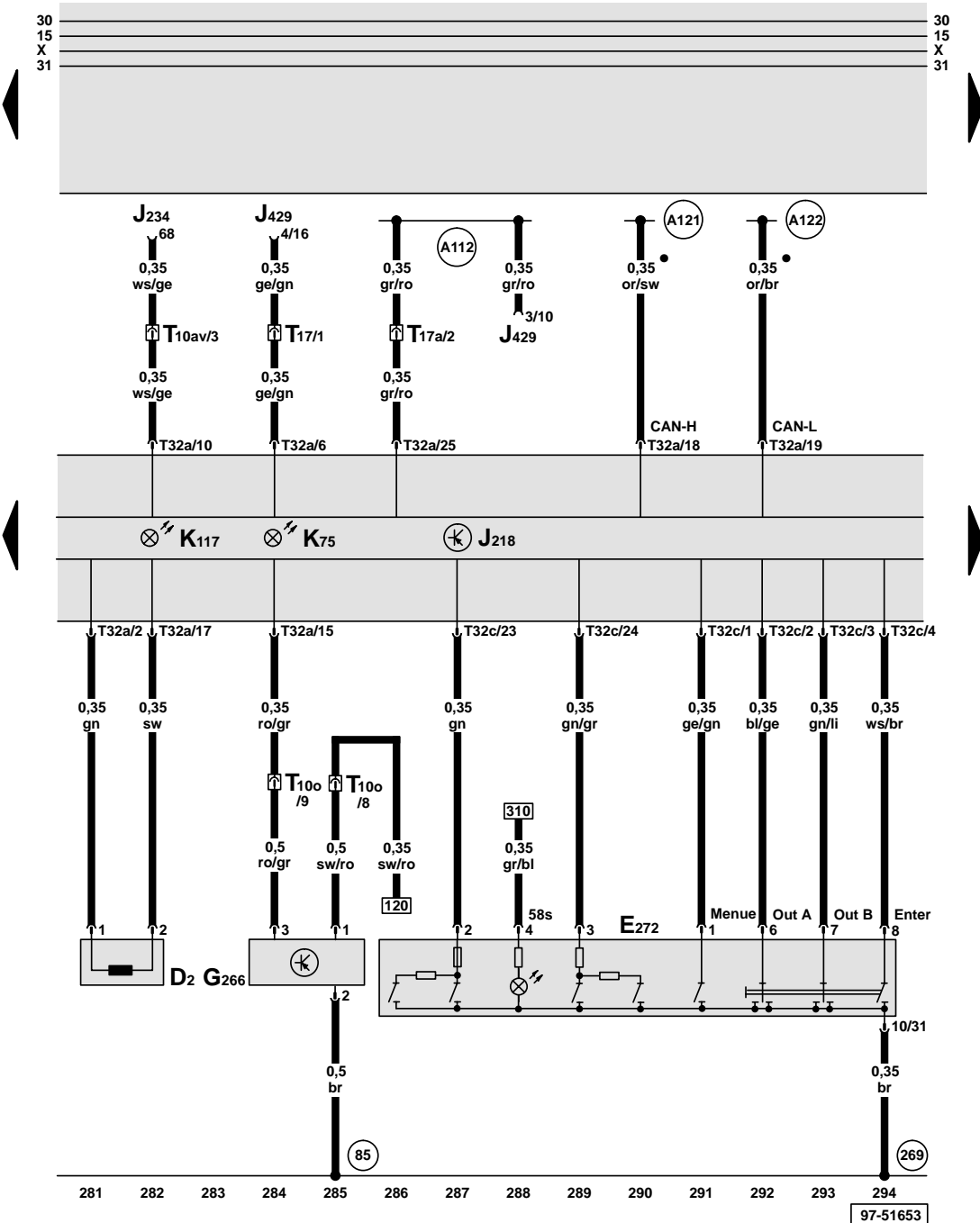
- (261) - Earth connection, in heated washer jet wiring harness
- (269) - Earth connection (sender earth -1), in dash panel wiring harness
- (316) - Earth connection (sender earth -2), in engine wiring harness
- (A79) - Connection (hot light switch), in dash panel wiring harness
- (A120) - Connection (stationary time), in dash panel wiring harness

- \* - Sender earth output
- \*\* - Models with air conditioner

ws = white  
 sw = black  
 ro = red  
 br = brown  
 gn = green  
 bl = blue  
 gr = grey  
 li = purple  
 ge = yellow  
 or = orange

97-51652

### Dash panel insert, immobilizer reading coil, oil level/oil temperature sender, function selection switch II in centre console



- D2 – Immobilizer reading coil
- E272 – Function selection switch II, in centre console
- G266 – Oil level thermo sender, service interval
- J218 – Combi-processor in dash panel insert
- J234 – Airbag control unit
- J429 – Central locking control unit
- K75 – Airbag warning lamp
- K117 – Immobilizer warning lamp
- T10o – 10-pin connector, brown, connector point, electronics box, plenum chamber
- T10av – 10-pin connector, yellow, connector point, A pillar, right
- T17 – 17-pin connector, orange, connector point, A pillar, right
- T17a – 17-pin connector, brown, connector point, A pillar, right
- T32a – 32-pin connector, green, on dash panel insert
- T32c – 32-pin connector, grey, on dash panel insert

- (85) – Earth connection -1-, in engine compartment wiring harness
- (269) – Earth connection (sender earth) -1-, in dash panel wiring harness
- (A112) – Connection (bonnet switch), in dash panel wiring harness
- (A121) – Connection (high bus), in dash panel wiring harness
- (A122) – Connection (low bus), in dash panel wiring harness

• – CAN bus (Data wire)

ws = white  
 sw = black  
 ro = red  
 br = brown  
 gn = green  
 bl = blue  
 gr = grey  
 li = purple  
 ge = yellow  
 or = orange

97-51653

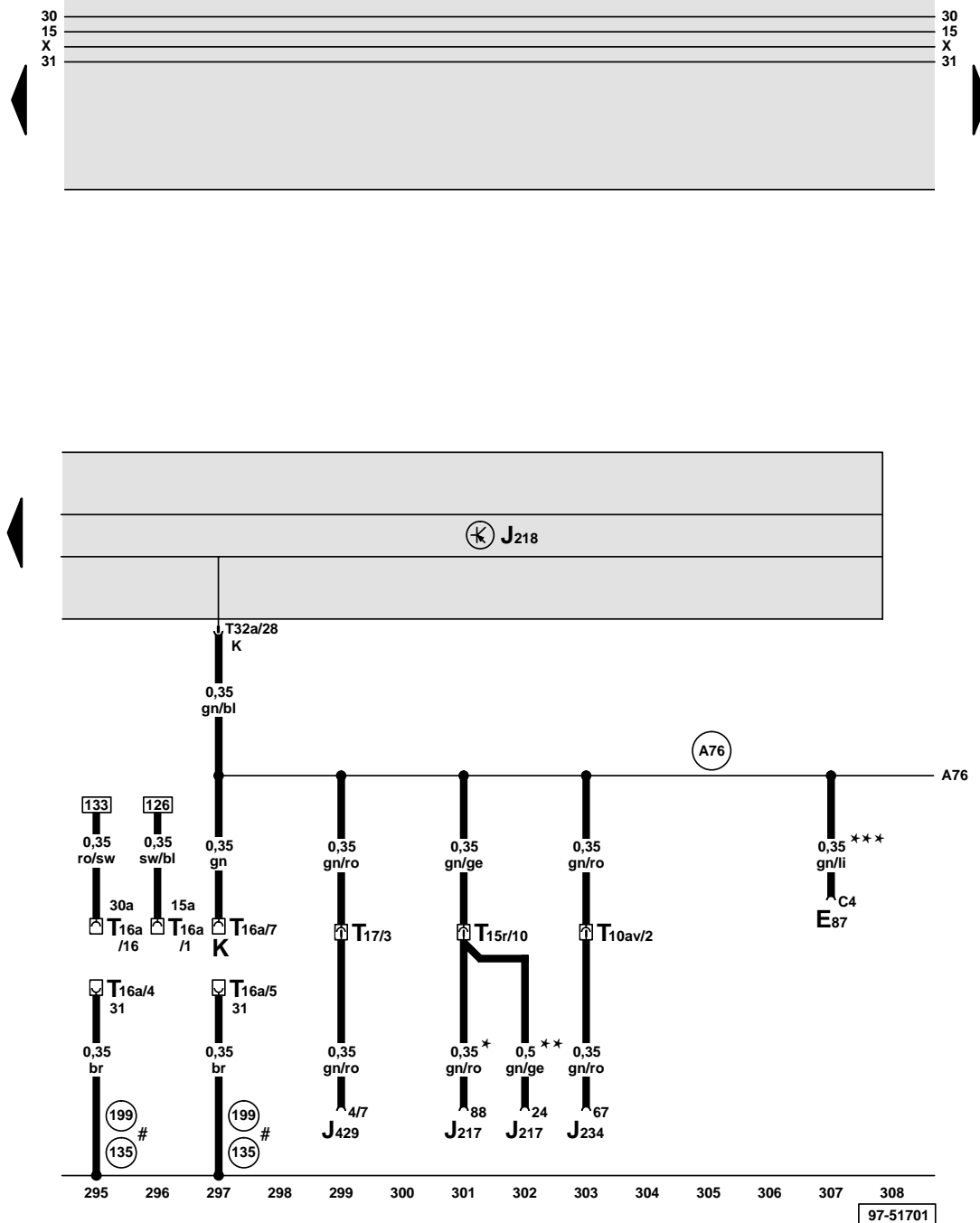
### Dash panel insert, diagnosis connection

- E87 – Control and display unit for air conditioner
- J217 – Automatic gearbox control unit
- J218 – Combi-processor in dash panel insert
- J234 – Airbag control unit
- J429 – Central locking control unit
- K – Diagnosis connection
- T10av – 10-pin connector, yellow, connector point, A pillar, right
- T15r – 15-pin connector, brown, connector point, A pillar, right
- T17 – 17-pin connector, orange, connector point, A pillar, right
- T16a – 16-pin connector, diagnosis connection
- T32a – 32-pin connector, green, on dash panel insert

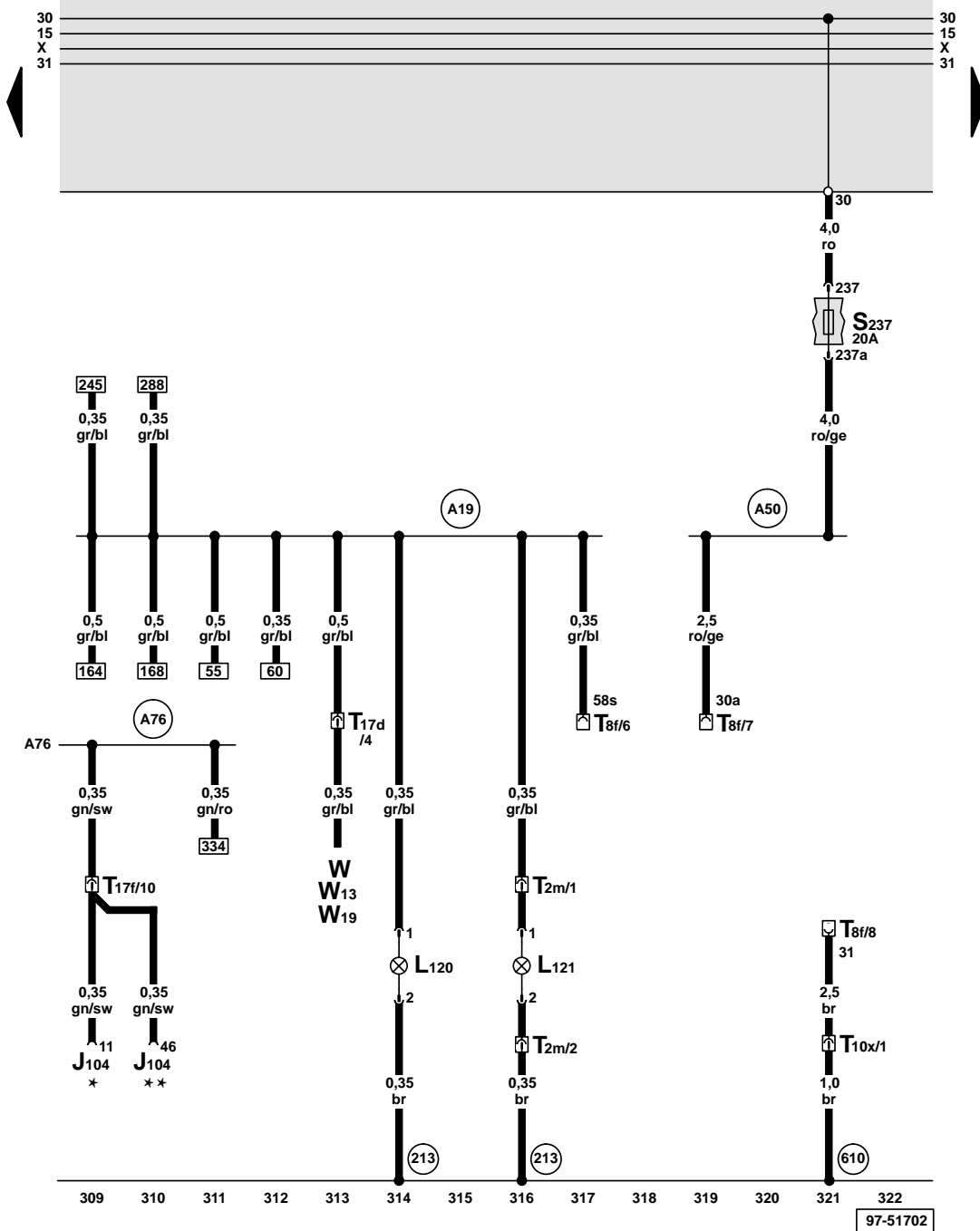
- (135) – Earth connection -2-, in dash panel wiring harness
- (199) – Earth connection -3-, in dash panel wiring harness
- (A76) – Connection (diagnosis wire K), in dash panel wiring harness

- \* – Models with automatic gearbox 01V
- \*\* – Models with automatic gearbox 01N
- \*\*\* – Models with air conditioner
- # – Both possible

ws = white  
 sw = black  
 ro = red  
 br = brown  
 gn = green  
 bl = blue  
 gr = grey  
 li = purple  
 ge = yellow  
 or = orange



### Basic wiring for radio, connection for switch illumination, shelf illumination



- J104 – ABS with EDL control unit
- L120 – Shelf illumination
- L121 – Cup holder illumination
- S237 – Fuse in fuse box
- T2m – 2-pin connector, brown, behind dash panel, centre
- T8f – 8-pin connector, black, radio connector III
- T10x – 10-pin connector, green, connector point, A pillar, right
- T17d – 17-pin connector, grey, connector point, A pillar, left
- T17f – 17-pin connector, black, connector point, A pillar, left
- W – Interior light, front
- W13 – Front passenger reading lamp
- W19 – Reading lamp, driver's side

- (213) – Earth connection -4-, in dash panel wiring harness
- (610) – Earth point (radio), below centre console, front
- (A19) – Connection (58s), in dash panel wiring harness (switch illumination)
- (A50) – Positive (+) connection (30a), in dash panel wiring harness
- (A76) – Connection (diagnosis wire K), in dash panel wiring harness

- \* – Only models with ABS
- \*\* – Only models with ABS and ESP

ws = white  
 sw = black  
 ro = red  
 br = brown  
 gn = green  
 bl = blue  
 gr = grey  
 li = purple  
 ge = yellow  
 or = orange



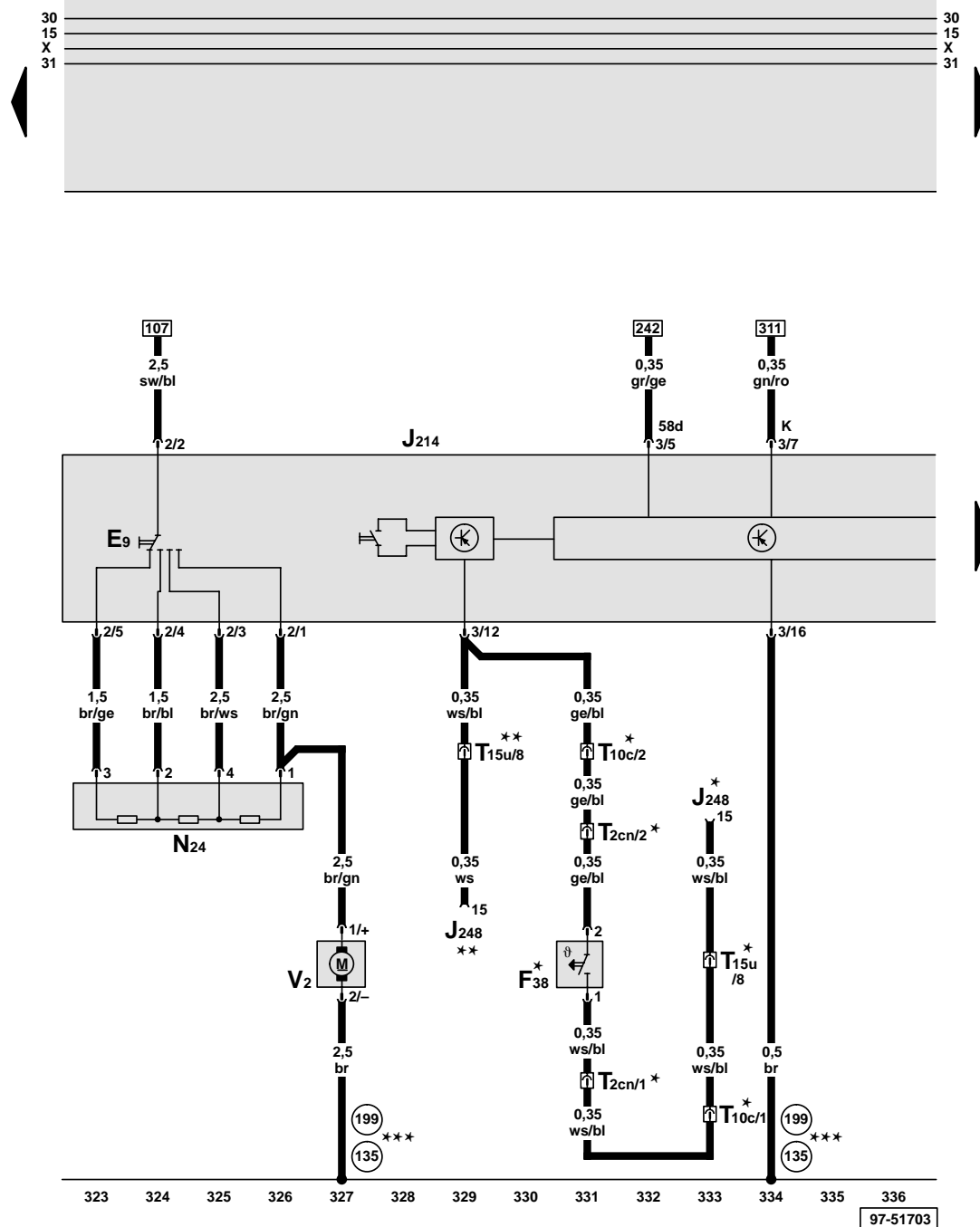
### Heater, fresh air blower

- E9 - Fresh air blower switch
- F38 - Ambient temperature switch
- J214 - Thermotronic control unit
- J248 - Diesel direct injection system control unit
- N24 - Fresh air blower with overheating fuse series resistor
- T2cn - 2-pin connector, green, in engine compartment, left
- T10c - 10-pin connector, grey, connector point, A pillar, left
- T15u - 15-pin connector, red, connector point, electronics box, plenum chamber
- V2 - Fresh air blower

- (135) - Earth connection -2-, in dash panel wiring harness
- (199) - Earth connection -3-, in dash panel wiring harness

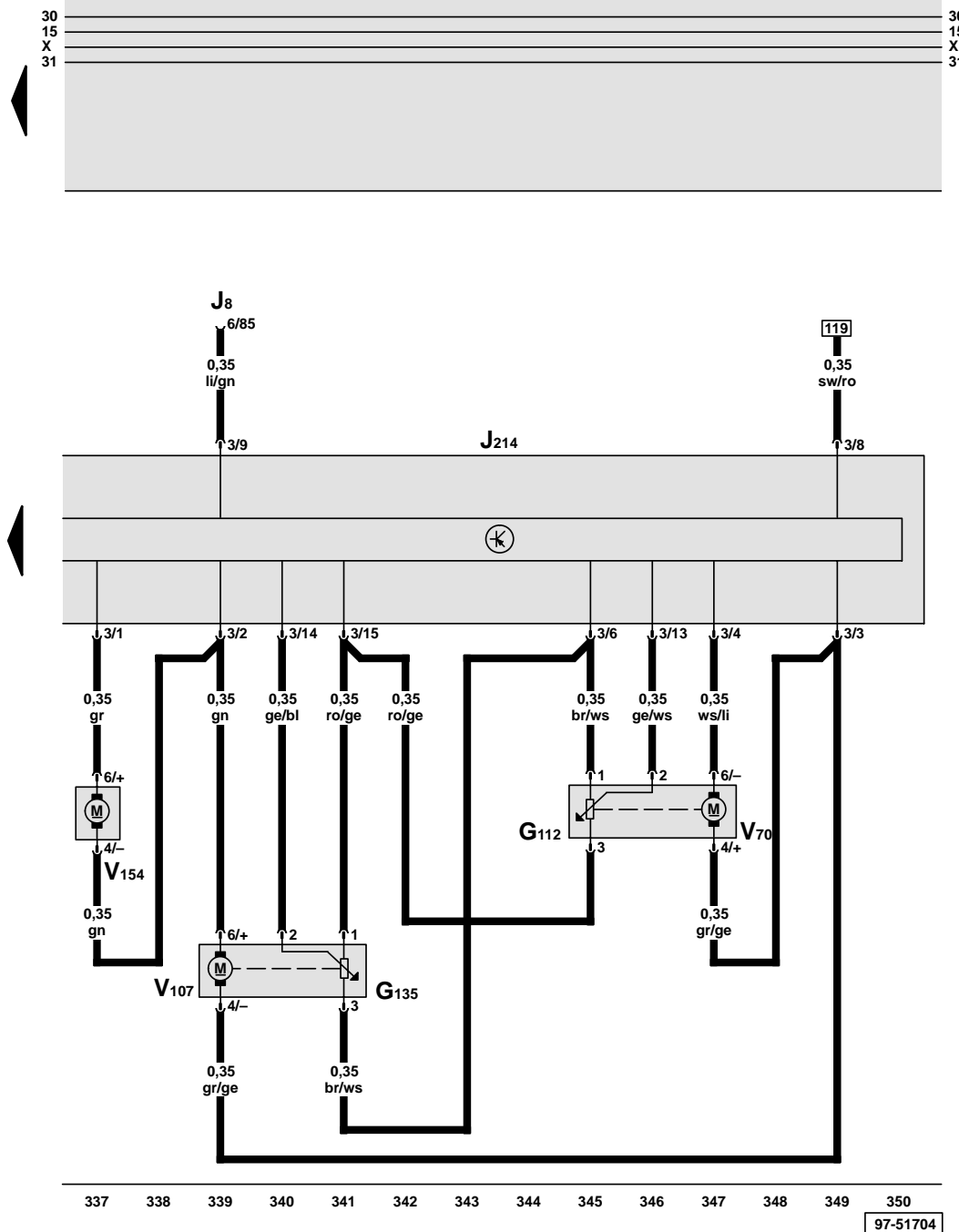
- \* - Models with 1.6 litre TDI engine
- \*\* - Models with 2.5 litre TDI engine
- \*\*\* - Both possible

ws = white  
 sw = black  
 ro = red  
 br = brown  
 gn = green  
 bl = blue  
 gr = grey  
 li = purple  
 ge = yellow  
 or = orange



### Heater, control motors

- G112 – Control motor potentiometer, central flap
- G135 – Control motor potentiometer, defroster flap
- J8 – Auxiliary heater relay
- J214 – Thermotronic control unit
- V70 – Central flap control motor
- V107 – Defroster flap control motor
- V154 – Fresh/recirculating air flap control motor



ws = white  
sw = black  
ro = red  
br = brown  
gn = green  
bl = blue  
gr = grey  
li = purple  
ge = yellow  
or = orange