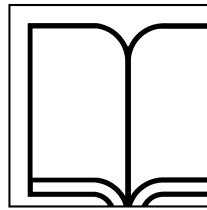


**E38/L7 unit  
Rear compart-  
ment screen  
Video playback  
unit**

Seminar  
Working  
material



**BMW**  
Service Training

## Note

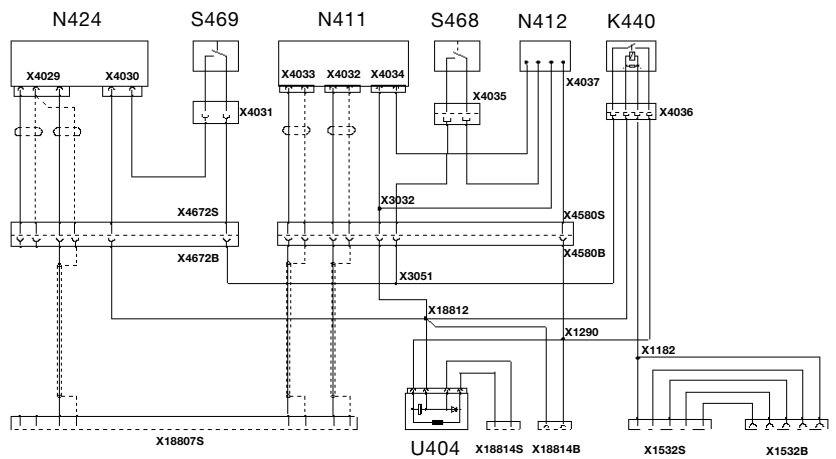
The information contained in this training manual is intended solely for the people attending this course, run by BMW Service Training.

Status of information: 1998

Changes/supplements to technical data are to be taken from the relevant information provided by the "Technical Customer Service".

MK-12; A. Viets

# 1. Circuit diagram



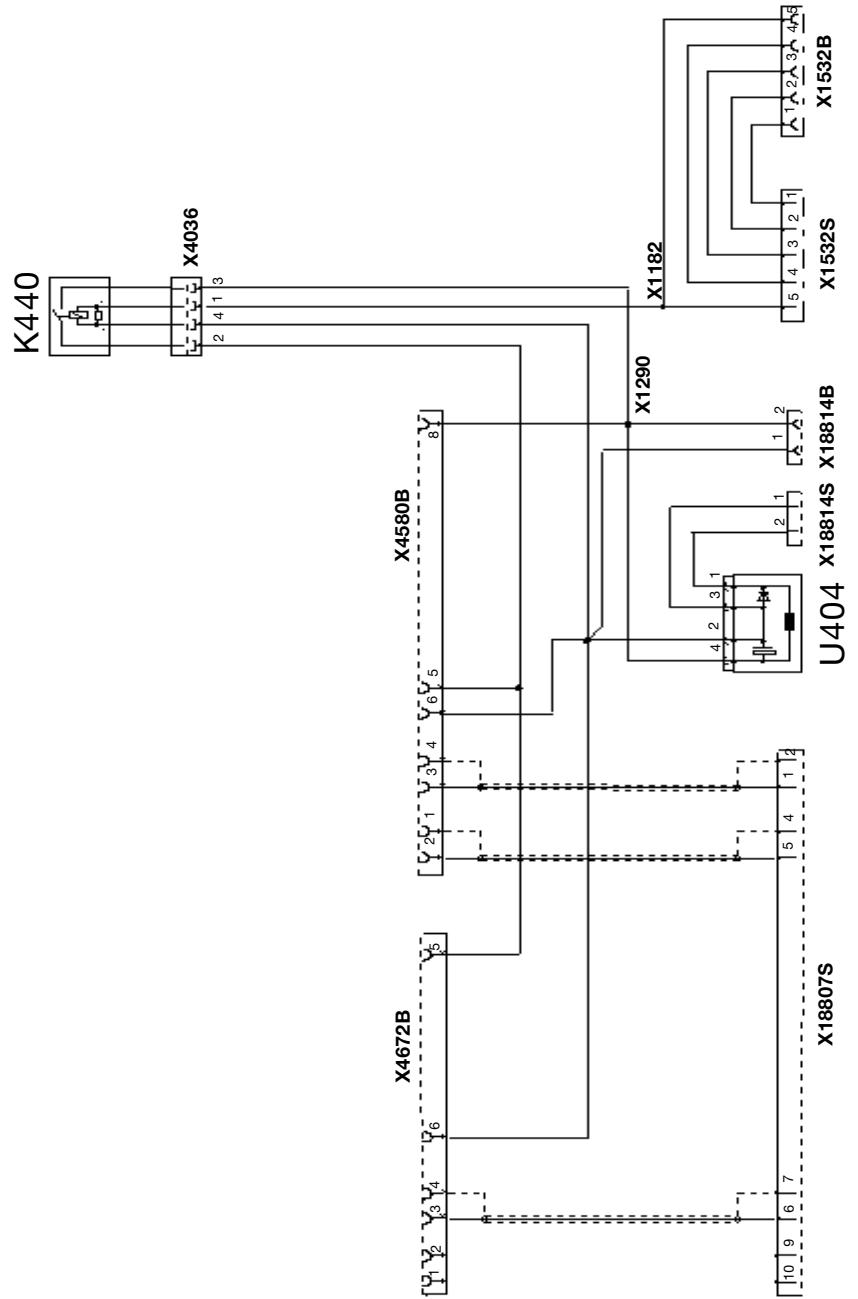
KT-3383

Fig. 1: Overview of rear compartment TV screen/video playback unit

This circuit diagram is intended to provide an overview of the system. This circuit diagram is divided into 3 individual circuit diagrams on the following pages to give a more precise illustration:

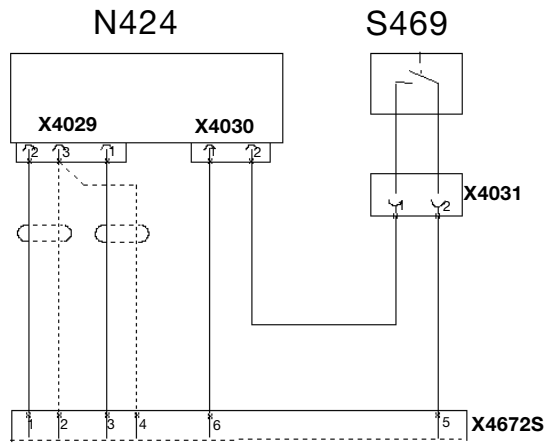
- rear compartment TV screen/video playback unit supply
- rear compartment TV screen
- video playback unit

<b>Element</b>	<b>Designation</b>	<b>Installation point</b>
K440	TV/Video relay	Behind finisher of cigarette lighter
N411	Video playback unit	Driver's seat
N412	Video timer	Driver's seat wiring harness
N424	Rear compartment TV monitor	Centre console
S468	Video playback unit switch	Driver's seat flap
S469	Rear compartment TV monitor switch	Rear compartment TV monitor flap
U404	Sound filter	Under centre console
X1182	Terminal R connector	Wiring harness
X1290	Terminal R connector	Wiring harness
X1532S	Radio/HiFi navigation	Video module luggage compartment connector
X1532B	Radio/HiFi navigation	Video module luggage compartment connector
X3032	Terminal 31 connector	Wiring harness
X3051	Terminal R connector	Wiring harness
X3620	NF noise filter	Under centre console
X4029	TV monitor connection	TV monitor
X4030	Connection for TV monitor power supply	TV monitor
X4031	Connection for TV switch (FHKA only)	TV monitor console
X4032	Connection for video OUT	Video playback unit
X4033	Connection for audio OUT	Video playback unit
X4034	Connection for video power supply	Video playback unit
X4035	Connection for video switch	Seat flap
X4036	Connection for TV/video relay	Rear cigarette lighter
X4037	Connection for video timer	Seat wiring harness
X4580S	Video playback unit seat	Under driver's seat
X4580B	Video playback unit seat BFA	Under driver's seat
X4672S	TV monitor connection	Under wooden finisher strip of flap console
X4672B	TV monitor connection	Under wooden finisher strip of flap console
X18807S	AV bush	Behind finisher for TV switch
X18812	Connector terminal 31	Wiring harness
X18814S	Rear cigarette lighter	Behind rear cigarette lighter
X18814B	Rear cigarette lighter	Behind rear cigarette lighter



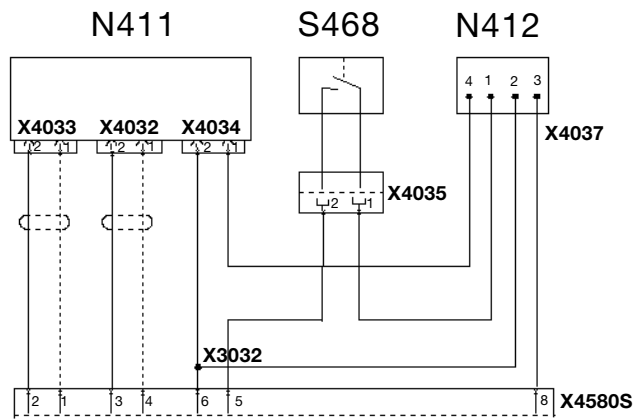
KT-3387

Fig. 2: Rear compartment TV screen/video playback unit supply



KT-3385

Fig. 3: Rear compartment TV screen



KT-3386

Fig. 4: Video playback unit

## Wiring harness

**X1182**, terminal R connector

**X1290**, terminal 30 connector

### **X1532S**

Radio/HIFI navigation, 6-pin, pin housing neutral

<b>Pin</b>	<b>Designation</b>	<b>Color</b>	<b>Cross-section (mm<sup>2</sup>)</b>
1	Terminal 30	Red/green	1.50
2	Terminal 31E	Brown	0.75
3	I BUS	White/ green/ yellow	0.50
4	Speedo A signal	Black/white	0.35
5	Terminal R	Violet/red	0.50
6	-	-	-

### **X1532B**

Radio/HIFI navigation, 6-pin, bush housing, neutral

<b>Pin</b>	<b>Designation</b>	<b>Color</b>	<b>Cross-section (mm<sup>2</sup>)</b>
1	Terminal 30	Red/green	1.50
2	Terminal 31E	Brown	0.75
3	I BUS	White/ green/ yellow	0.50
4	Speedo A signal	Black/white	0.35
5	Terminal R	Violet/red	0.50
6	-	-	-

**X3032**, terminal 31 connector

**X3051**, terminal R connector

**X3620**

NF interference filter, 5-pin, black-white

<b>Pin</b>	<b>Designation</b>	<b>Color</b>	<b>Cross-section (mm<sup>2</sup>)</b>
1	Terminal 30 on	Red/green	2.50
2	Terminal 31 off	Brown	2.50
3	Terminal 31 on	Brown	2.50
4	Terminal 30 off	Red/green	2.50
5	-	-	-

**X4029**

TV monitor connection, 3-pin, with black connector

<b>Pin</b>	<b>Designation</b>	<b>Color</b>	<b>Cross-section (mm<sup>2</sup>)</b>
1	TV signal	Black	0.35
2	Audio signal	Black	0.35
3	Terminal 31	Sheath	0.35

**X4030**

TV monitor power supply connection, 2-pin, black bush

<b>Pin</b>	<b>Designation</b>	<b>Color</b>	<b>Cross-section (mm<sup>2</sup>)</b>
1	Terminal 31	Brown	0.35
2	Terminal 30	Red/brown	0.35



### **X4031**

TV monitor switch connection, 3-pin, with yellow bush housing

<b>Pin</b>	<b>Designation</b>	<b>Color</b>	<b>Cross-section (mm<sup>2</sup>)</b>
1	Terminal 30	Red/brown	0.35
2	Terminal R	Red	0.75
3	-	-	-

### **X4032**

Connection for video OUT, 2-pin, grey connection

<b>Pin</b>	<b>Designation</b>	<b>Color</b>	<b>Cross-section (mm<sup>2</sup>)</b>
1	TV/ground/earth	Sheath	0.35
2	TV signal	Black	0.35

### **X4033**

Connection for audio OUT, 2-pin, red connection

<b>Pin</b>	<b>Designation</b>	<b>Color</b>	<b>Cross-section (mm<sup>2</sup>)</b>
1	Audio ground/earth	Sheath	0.35
2	Audio signal	Black	0.35

### **X4034**

Connection for video power supply 12-14V DC, 2-pin, black

<b>Pin</b>	<b>Designation</b>	<b>Color</b>	<b>Cross-section (mm<sup>2</sup>)</b>
1	Terminal 30	Red-black	0.35
2	Terminal 31	Brown	0.35

### X4035

Video switch connection, 3-pin, yellow

<b>Pin</b>	<b>Designation</b>	<b>Color</b>	<b>Cross-section (mm<sup>2</sup>)</b>
1	Terminal 30	Red/yellow	0.35
2	Terminal R	Red/blue	0.35
3	-	-	-

### X4036

Relay connection TV/video, 4-pin, black

<b>Pin</b>	<b>Designation</b>	<b>Color</b>	<b>Cross-section (mm<sup>2</sup>)</b>
1	Relay ground/earth	Violet/red	0.50
2	Output relay	Red/blue	0.75
3	Terminal 30	Red/green	0.75
4	Current relay	Brown	0.50

### X4037

Connection timer/video, 4-pin

<b>Pin</b>	<b>Designation</b>	<b>Color</b>	<b>Cross-section (mm<sup>2</sup>)</b>
1	Terminal 30	Red/yellow	0.35
2	Terminal 31	Brown	0.35
3	Terminal 30	Red/green	0.35
4	Terminal 30G	Red/black	0.35

## X4580S

Video playback unit seat, 10-pin, with black connection

<b>Pin</b>	<b>Designation</b>	<b>Color</b>	<b>Cross-section (mm<sup>2</sup>)</b>
1	Audio ground/ earth	Sheath	0.35
2	Audio signal	Black	0.35
3	TV signal	Black	0.35
4	TV ground/earth	Sheath	0.35
5	Terminal R	Red/blue	0.35
6	Terminal 31	Brown	0.35
7	-	-	-
8	Terminal 30	Red/green	0.35
9	-	-	-
10	-	-	-

## X4580B

Video playback unit seat BFA, 10-pin, with black connection

<b>Pin</b>	<b>Designation</b>	<b>Color</b>	<b>Cross-section (mm<sup>2</sup>)</b>
1	Audio ground/ earth	Sheath	0.35
2	Audio signal	Black	0.35
3	TV signal	Black	0.35
4	TV ground/earth	Sheath	0.35
5	Terminal R	Red/blue	0.50
6	Terminal 31	Brown	0.50
7	-	-	-
8	Terminal 30	Red/green	0.35
9	-	-	-
10	-	-	-

## **X4672S**

TV monitor, 6-pin, with black pin housing

<b>Pin</b>	<b>Designation</b>	<b>Color</b>	<b>Cross-section (mm<sup>2</sup>)</b>
1	Audio signal	Black	0.35
2	Audio ground/ earth	Sheath	0.35
3	TV signal	Black	0.35
4	TV ground/earth	Sheath	0.35
5	Terminal R	Red/blue	0.75
6	Terminal 31	Brown	0.35

## **X4672B**

TV monitor, 6-pin, black connection

<b>Pin</b>	<b>Designation</b>	<b>Color</b>	<b>Cross-section (mm<sup>2</sup>)</b>
1	-	-	-
2	-	-	-
3	TV signal	Black	0.35
4	TV-ground/earth	Sheath	0.35
5	Terminal R	Red/blue	0.75
6	Terminal 31	Brown	0.75

## X18807S

AV bush, 10-pin, with black connection

Pin	Designation	Color	Cross-section (mm <sup>2</sup> )
1	TV signal	Black	0.35
2	TV ground/earth	Sheath	0.35
3	-	-	-
4	Audio ground/earth	Sheath	0.35
5	Audio signal	Black	0.35
6	TV signal	Black	0.35
7	TV ground/earth	Sheath	0.35
8	-	-	-
9	-	-	-
10	-	-	-

X18812, connector terminal 31

## X18814S

Rear cigarette lighter, 2-pin, pin housing, neutral

Pin	Designation	Color	Cross-section (mm <sup>2</sup> )
1	Terminal 31	Brown	2.50
2	Terminal 30	Red/green	2.50

## X18814B

Rear cigarette lighter, 2-pin, with white bush housing

Pin	Designation	Color	Cross-section (mm <sup>2</sup> )
1	Terminal 31	Brown	2.50
2	Terminal 30	Red/green	2.50