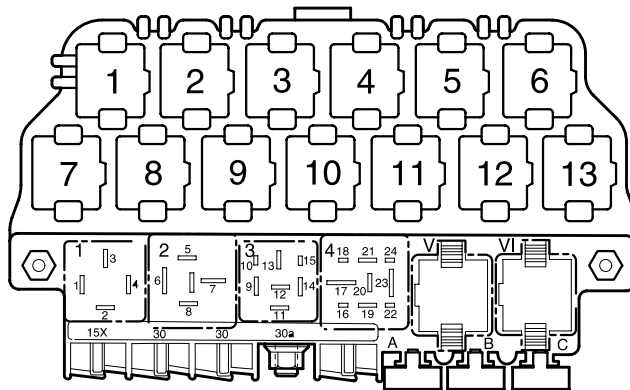


Exterior mirror, electrically heated and adjustable,

from May 1999

For alternatives to relay and fuse positions as well as multi-pin connector wiring - see "Fitting locations" section.

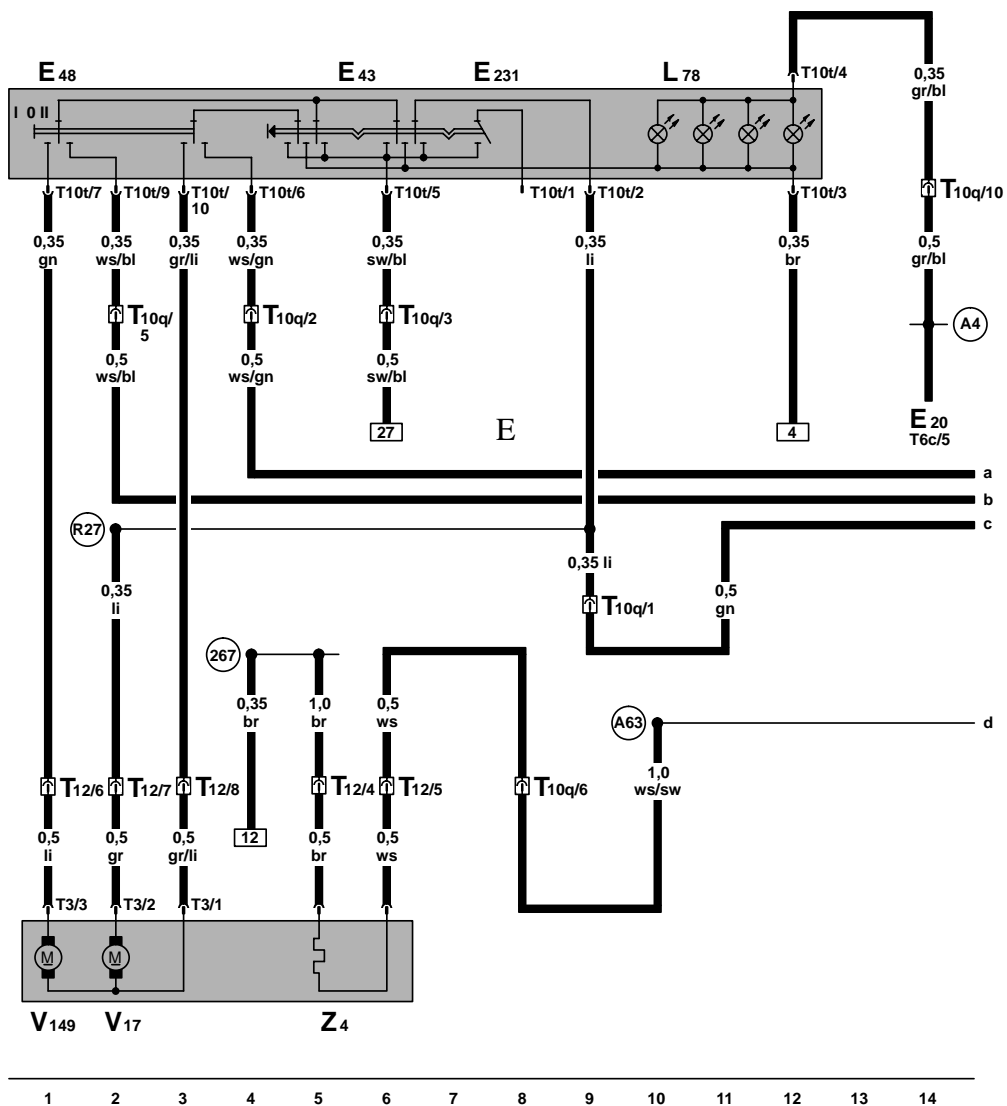


97-14163

Fuse colours

- 30 A - green
- 25 A - white
- 20 A - yellow
- 15 A - blue
- 10 A - red
- 7.5 A - brown
- 5 A - beige
- 3 A - lilac

Mirror adjustment switch, driver's door electrically adjustable exterior mirror



- E20 - Switches and instruments - lighting control
- E43 - Mirror adjustment switch
- E48 - Mirror adjustment change-over switch
- E231 - Exterior mirror heating button
- L78 - Mirror adjustment switch illumination
- T3 - 3-pin connector
- T6c - 6-pin connector
- T10p - 10-pin connector, blue, left A-pillar coupling station
- T10t - 10-pin connector
- T12 - 12-pin connector, in driver's door
- V17 - Mirror adjustment motor, driver's side
- V149 - Mirror adjustment motor, driver's side
- Z4 - Heated exterior mirror, driver's side

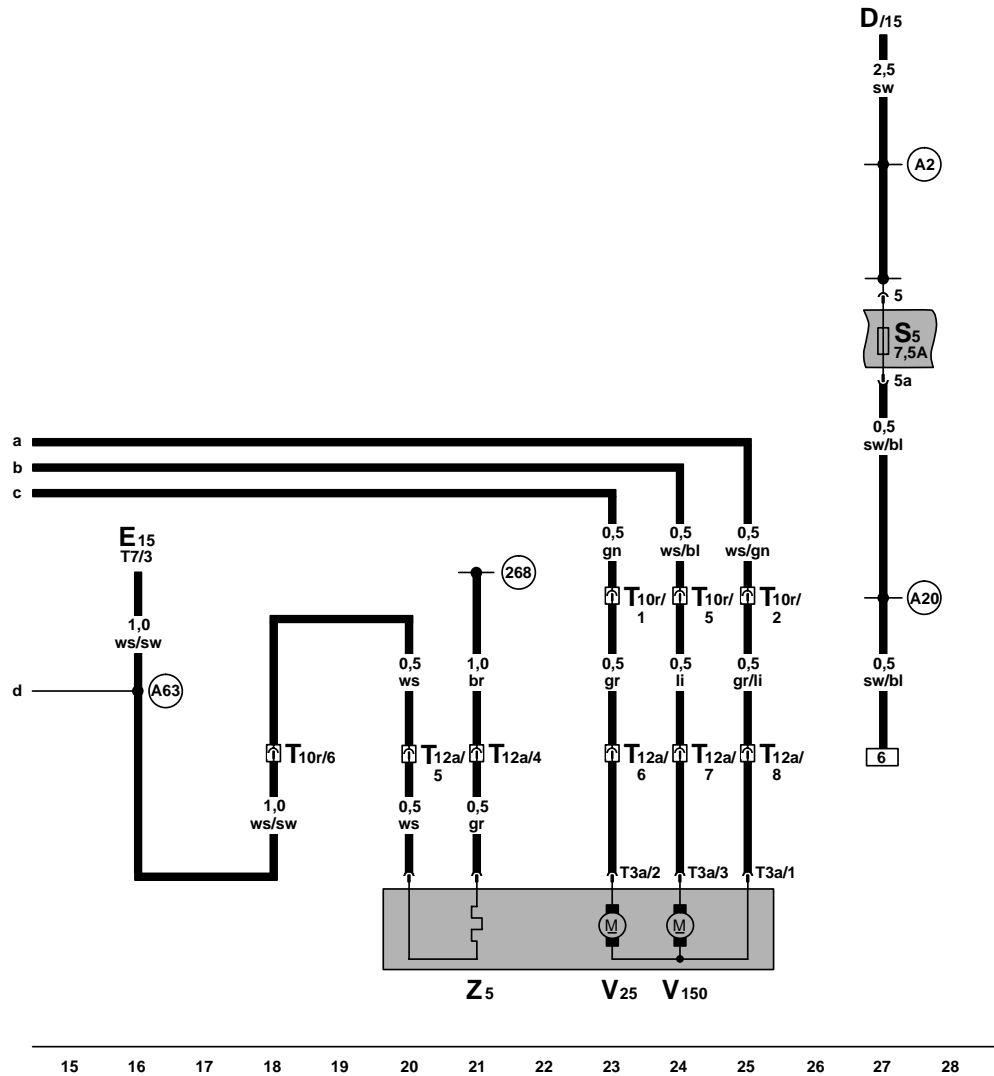
- (267) - Earth connection -2-, in driver's door wiring harness
- (A4) - Positive (+) connection (58b), in dash panel wiring harness
- (A63) - Connection (mirror adjustment/heating), in dash panel wiring harness
- (R27) - Connection (mirror adjustment), in driver's side door wiring harness

ws = white
 sw = black
 ro = red
 br = brown
 gn = green
 bl = blue
 gr = grey
 li = lilac
 ge = yellow
 or = orange



Front passenger's door electrically adjustable exterior mirror

- D - Ignition/starter switch
- E15 - Heated rear window switch
- S5 - Fuse in relay plate fuse box
- T3a - 3-pin connector
- T7 - 7-pin connector
- T10r - 10-pin connector, blue, right A-pillar coupling station
- T12a - 12-pin connector, in driver's door
- V25 - Mirror adjustment motor, front passenger side
- V150 - Mirror adjustment motor, front passenger's side
- Z5 - Heated exterior mirror, front passenger's side
- (268) - Earth connection -2-, in front passenger's door wiring harness
- (A2) - Positive (+) connection (15), in dash panel wiring harness
- (A20) - Connection (15a), in dash panel wiring harness
- (A63) - Connection (mirror adjustment/heating), in dash panel wiring harness



ws = white
 sw = black
 ro = red
 br = brown
 gn = green
 bl = blue
 gr = grey
 li = lilac
 ge = yellow
 or = orange

15 16 17 18 19 20 21 22 23 24 25 26 27 28

97-26299