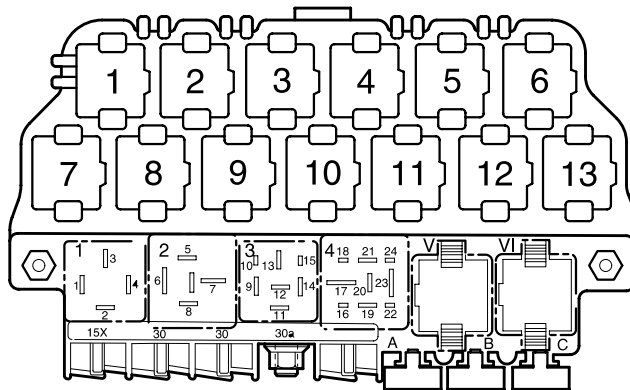


## Air conditioning system,

● Not for engine code APF,

from May 1999

For alternatives to relay and fuse positions as well as multi-pin connector wiring - see "Fitting locations" section.

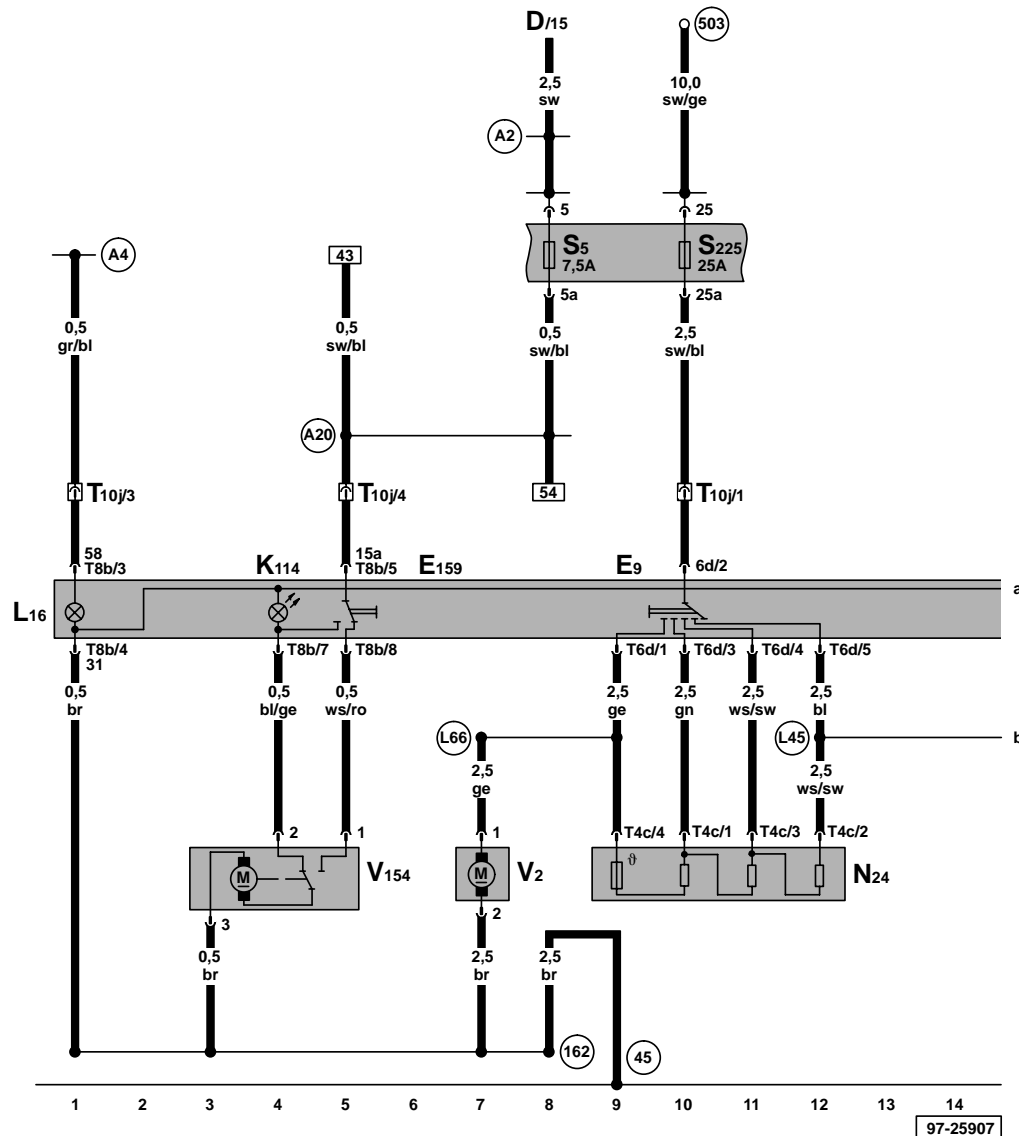


97-14163

### Fuse colours

- 30 A – green
- 25 A – white
- 20 A – yellow
- 15 A – blue
- 10 A – red
- 7.5 A – brown
- 5 A – beige
- 3 A – lilac

Fresh air blower switch , fresh air/air recirculation flap switch, fresh air blower, fresh air/air recirculation flap positioning motor



- D - Ignition/starter switch
- E9 - Fresh air blower switch
- E159 - Fresh air and air recirculation switch
- K114 - Fresh air/air recirculation warning lamp
- L16 - Fresh air controls light bulb
- N24 - Fresh air blower with overheating fuse series resistance
- S5 - Fuse in relay plate fuse box
- S225 - Fuse in fuse holder
- T4c - 4-pin connector
- T6d - 6-pin connector
- T8b - 8-pin connector
- T10j - 10-pin connector, in centre behind dash panel
- V2 - Fresh air blower
- V154 - Fresh/recirculating air flap positioning motor

- (45) - Earth point, behind dash panel - centre
- (162) - Earth connection, in blower motor wiring harness
- (503) - Screw connection (75x), on relay plate
- (A2) - Positive (+) connection (15), in dash panel wiring harness
- (A4) - Positive (+) connection (58b), in dash panel wiring harness
- (A20) - Connection (15a), in dash panel wiring harness
- (L45) - Connection, in air conditioner controls wiring harness
- (L66) - Connection, in heater blower wiring harness

ws = white  
 sw = black  
 ro = red  
 br = brown  
 gn = green  
 bl = blue  
 gr = grey  
 li = lilac  
 ge = yellow  
 or = orange

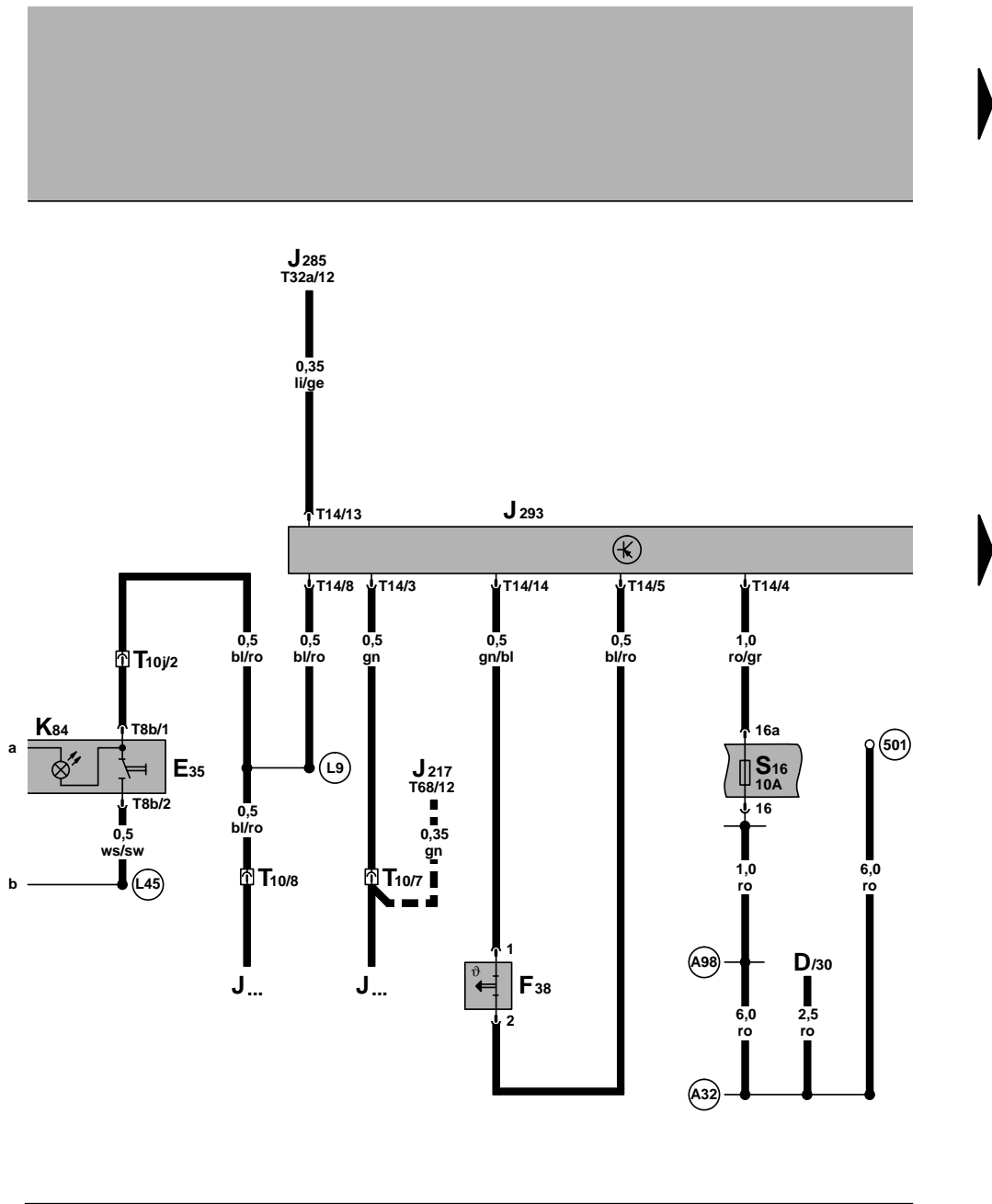
Radiator fan control unit, air conditioning system switch, ambient temperature switch

- D - Ignition/starter switch
- E35 - Air conditioner switch
- F38 - Ambient temperature switch
- J217 - Automatic gearbox control unit
- J285 - Control unit with display in dash panel insert
- J293 - Radiator fan control unit, front left in engine compartment

- J... - Engine control unit
- K84 - Air conditioning system warning lamp
- S16 - Fuse in relay plate fuse box
- T8b - 8-pin connector
- T10 - 10-pin connector, orange, in protective housing for connectors, left in plenum chamber
- T10j - 10-pin connector, in centre behind dash panel
- T14 - 14-pin connector
- T32a - 32-pin connector, green, on dash panel insert
- T68 - 68-pin connector

- (501) - Screw connection -2- (30), on relay plate
- (A32) - Positive connection (30), in dash panel wiring harness
- (A98) - Positive connection -4- (30), in dash panel wiring harness
- (L9) - Connection -1-, in air conditioner wiring harness
- (L45) - Connection, in air conditioner controls wiring harness
- For engine code ARZ only

ws = white  
 sw = black  
 ro = red  
 br = brown  
 gn = green  
 bl = blue  
 gr = grey  
 li = lilac  
 ge = yellow  
 or = orange

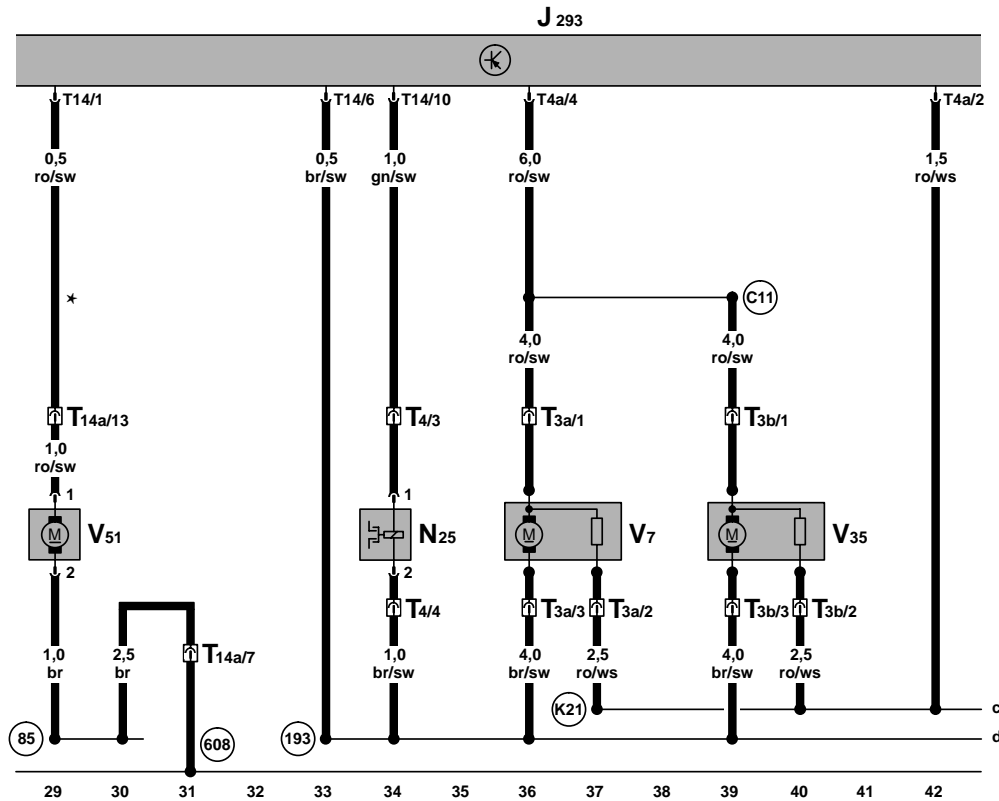


Radiator fan control unit, radiator fan, air conditioning system magnetic coupling, continued coolant circulation pump

- J293 – Radiator fan control unit, front left in engine compartment
- N25 – Air conditioning system magnetic coupling
- T3a – 3-pin connector, front left in engine compartment
- T3b – 3-pin connector, front left in engine compartment
- T4 – 4-pin connector, near starter
- T4a – 4-pin connector
- T14 – 14-pin connector
- T14a – 14-pin connector, in cable channel left in engine compartment
- V7 – Radiator fan
- V35 – Coolant fan, right
- V51 – Continued coolant circulation pump

- (85) – Earth connection -1-, in engine compartment wiring harness
- (193) – Earth connection -1-, in coolant fan wiring harness
- (608) – Earth point, in centre of plenum chamber
- (C11) – Connection in radiator fan wiring harness
- (K21) – Connection -1-, in radiator fan wiring harness

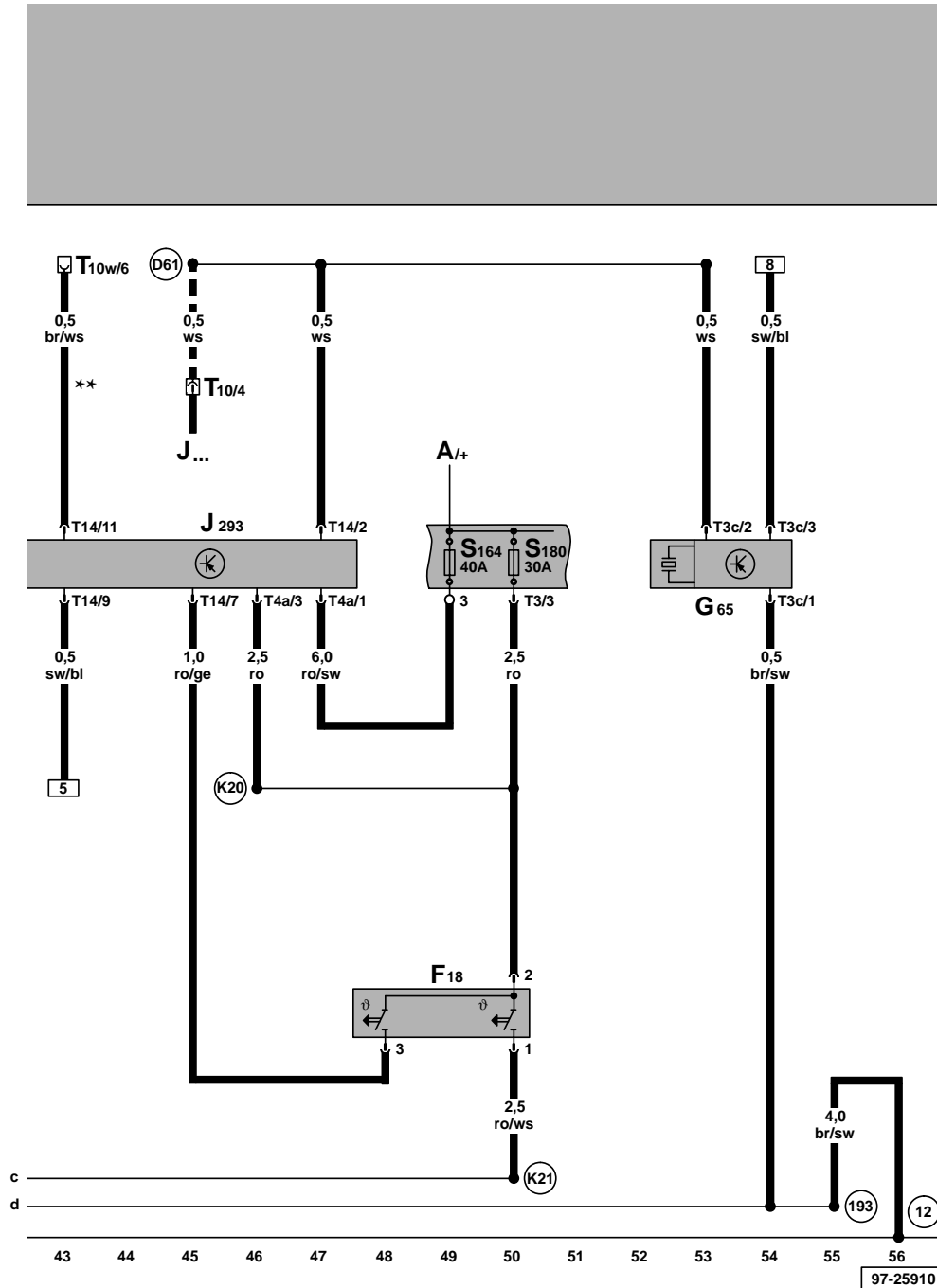
\* – For vehicles with 5 and 6 cylinder engines only



ws = white  
 sw = black  
 ro = red  
 br = brown  
 gn = green  
 bl = blue  
 gr = grey  
 li = lilac  
 ge = yellow  
 or = orange

Radiator fan control unit, thermo-switch for radiator fan, high pressure sender

- A - Battery
- F18 - Radiator fan thermo-switch
- G65 - High pressure sender
- J293 - Radiator fan control unit, front left in engine compartment
- J... - Engine control unit
- S164 - Fuse -3- (30), in battery fuse holder
- S180 - Fuse -8- (30), in battery fuse holder
- T3 - 3-pin connector
- T3c - 3-pin connector
- T4a - 4-pin connector
- T10 - 10-pin connector, orange, in protective housing for connectors, left in plenum chamber
- T10w- 10-pin connector, white, in protective housing for connectors, left in plenum chamber
- T14 - 14-pin connector
- 12 - Earth point, left in engine compartment
- 193 - Earth connection -1-, in coolant fan wiring harness
- D61 - Connection (air conditioner), in engine compartment wiring harness
- K20 - Positive (+) connection (30), in radiator fan wiring harness
- K21 - Connection -1-, in radiator fan wiring harness
- \*\* - Only with TDI engines
- - Not for all engine control units



ws = white  
 sw = black  
 ro = red  
 br = brown  
 gn = green  
 bl = blue  
 gr = grey  
 li = lilac  
 ge = yellow  
 or = orange