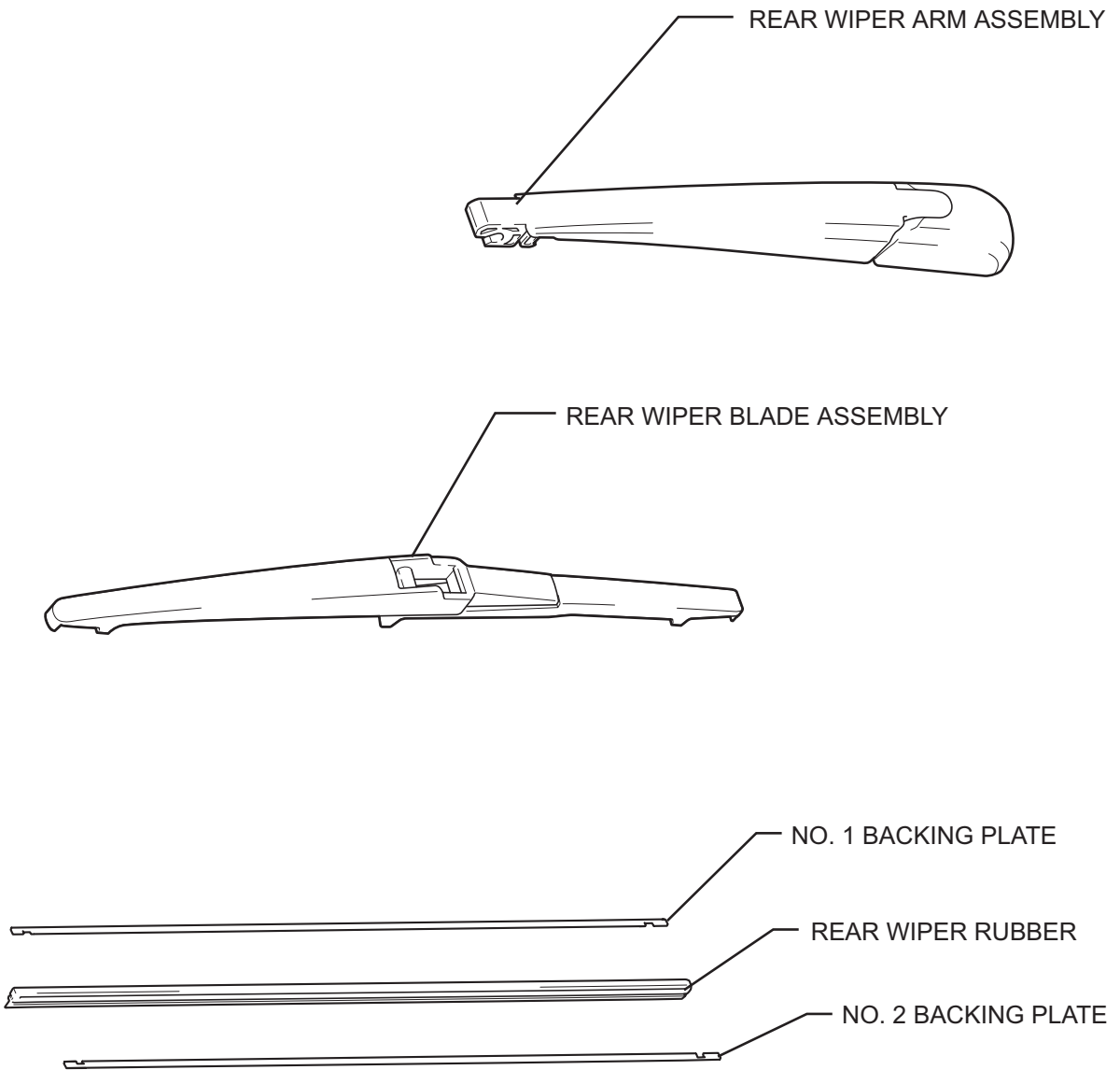
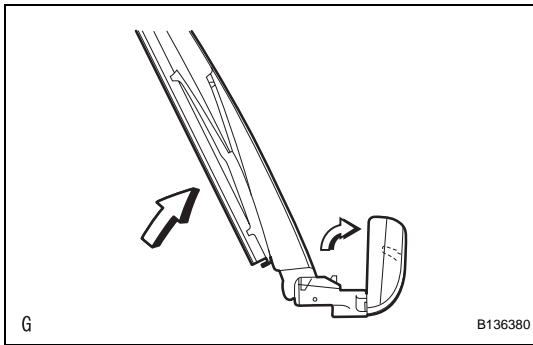


# REAR WIPER RUBBER

## COMPONENTS



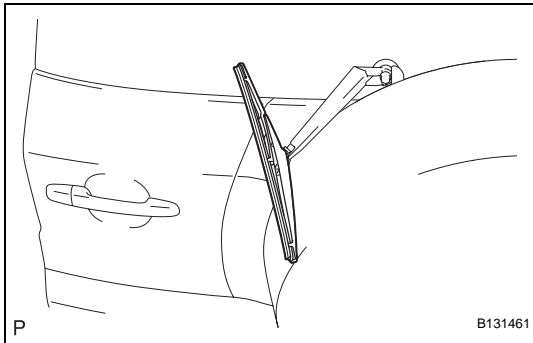
WW



## REMOVAL

### 1. REMOVE REAR WIPER BLADE ASSEMBLY

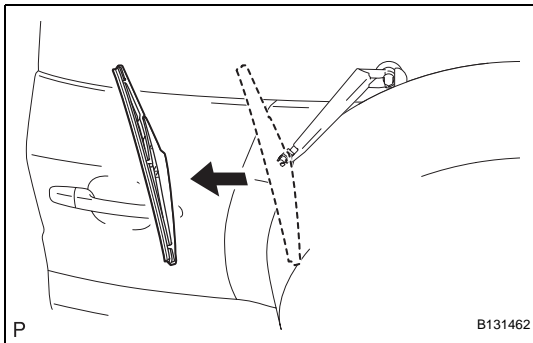
- (a) Rotate and remove the cap as described in the "REMOVE" procedures.
- (b) Raise the arm and blade.



- (c) Raise the wiper blade to the position where the claw detach with a "click" sound, as shown in the illustration.

**NOTICE:**

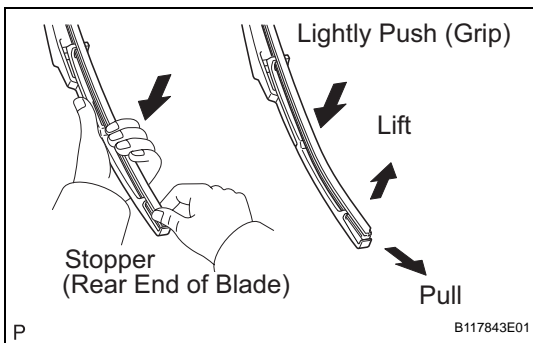
**Be careful not to damage the claw.**



- (d) Pull the wiper blade straight toward the left side of the vehicle to remove it from the wiper arm.

**NOTICE:**

**Do not fold the wiper arm with the wiper blade removed. The arm tip may damage the back door glass surface.**



### 2. REMOVE REAR WIPER RUBBER

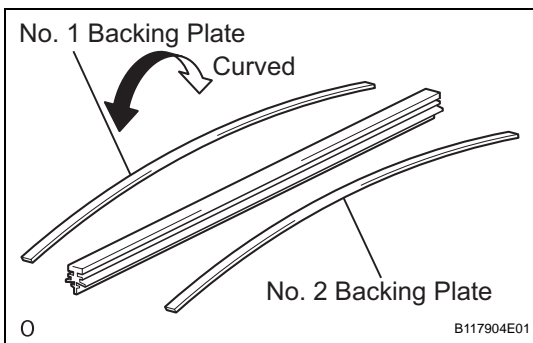
- (a) Lift and pull the end of the wiper rubber protruding from the blade stopper as shown in the illustration.

**NOTICE:**

**Do not forcibly pull out the wiper rubber. The backing plates will be deformed or the blade claws will be damaged.**

**HINT:**

Lightly pushing the rubber between the ends and middle will allow it to be removed more easily.



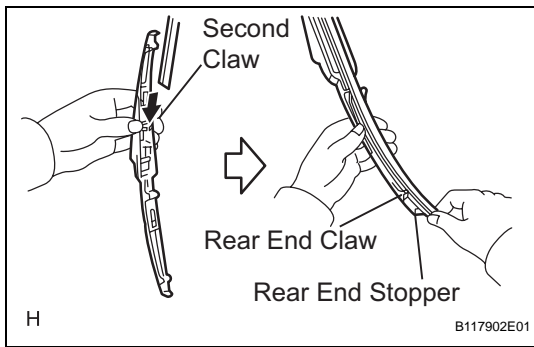
## INSTALLATION

### 1. INSTALL REAR WIPER RUBBER

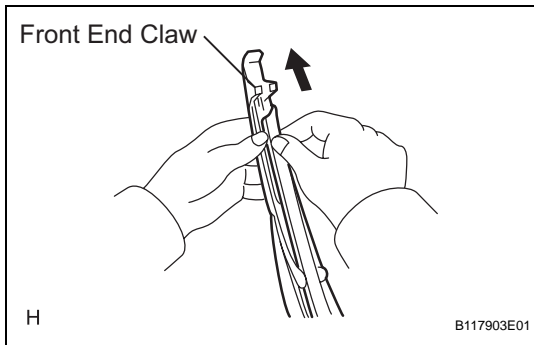
- (a) Install the No. 1 and No. 2 backing plates as shown in the illustration.

**NOTICE:**

**Install the backing plates facing the correct direction.**

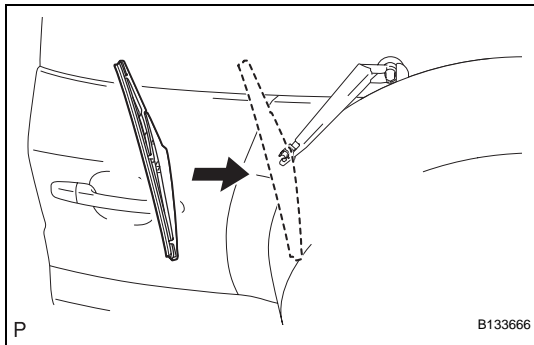


- (b) Insert the wiper rubber from the front end of the wiper blade to the rear end through the second claw.
- (c) After pushing the wiper rubber through the rear end claw, allow it to stick out from the rear end stopper.

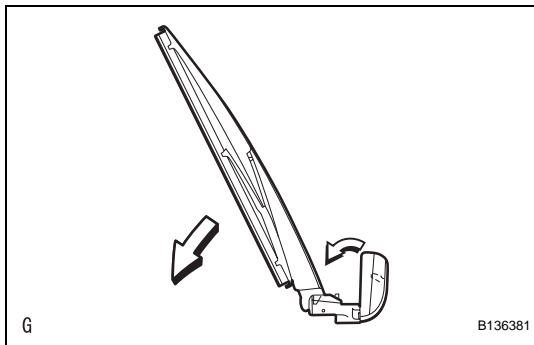


- (d) Slide the wiper rubber through the front end claw.

**2. INSTALL REAR WIPER BLADE ASSEMBLY**



- (a) Push the wiper blade straight toward the right side of the vehicle to install it to the wiper arm.



- (b) Lower the arm and blade.
- (c) Rotate and install the cap.