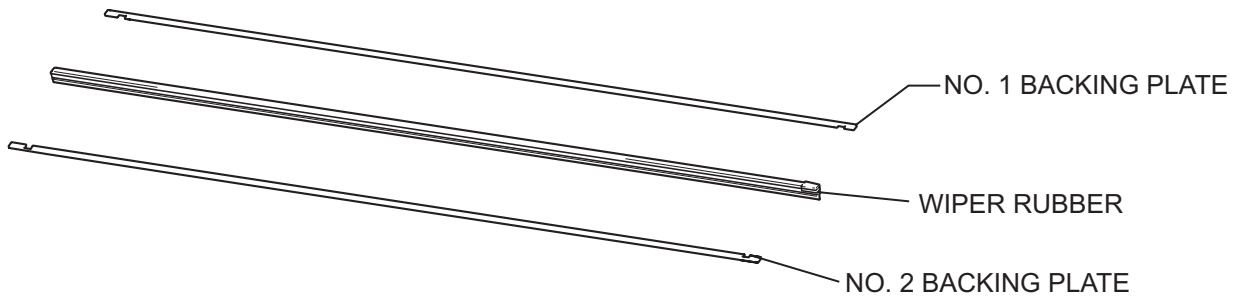
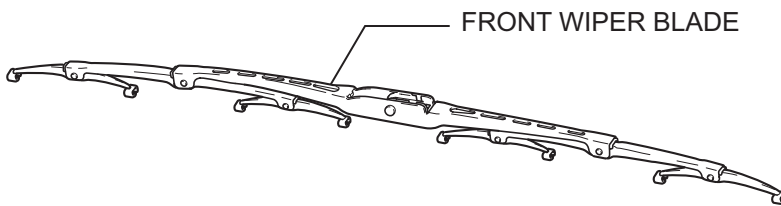
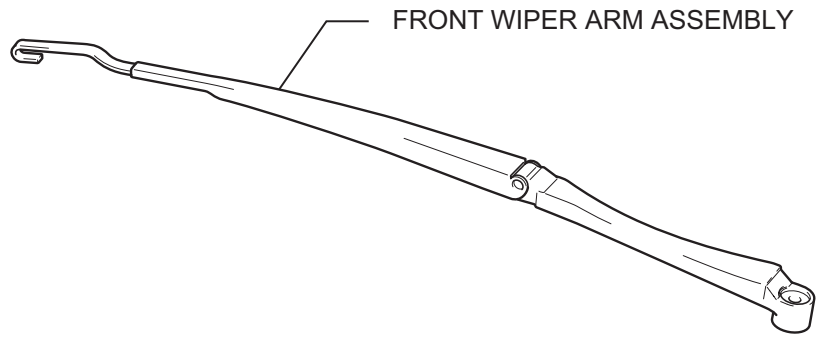


FRONT WIPER RUBBER

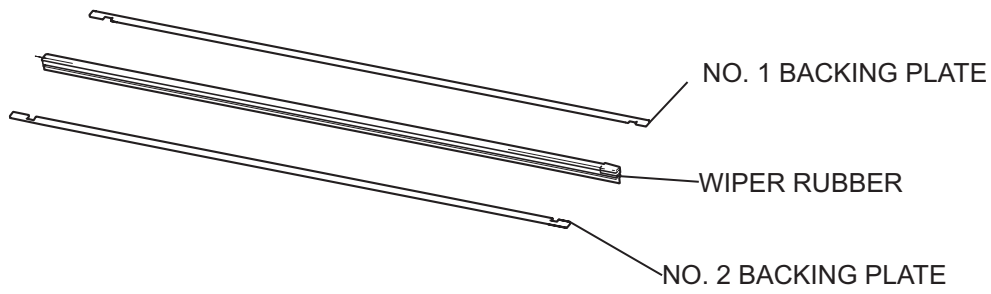
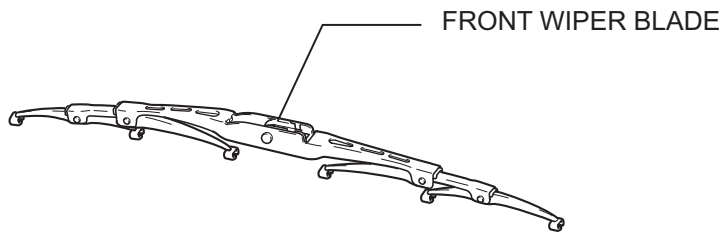
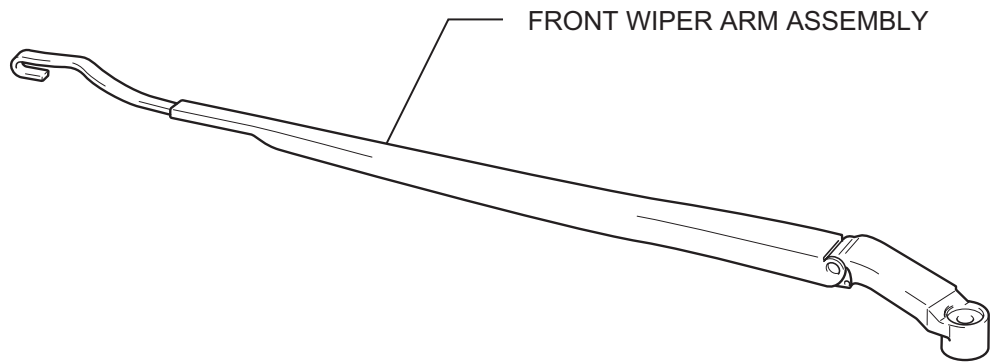
COMPONENTS

for LH



WW

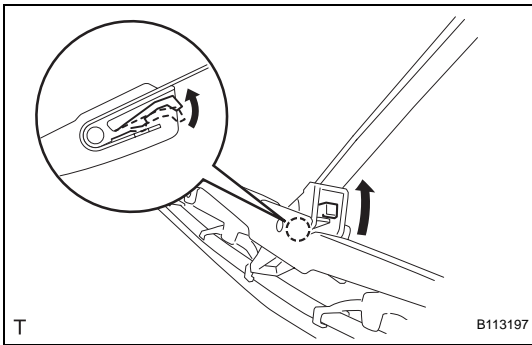
for RH



REMOVAL

1. REMOVE FRONT WIPER BLADE

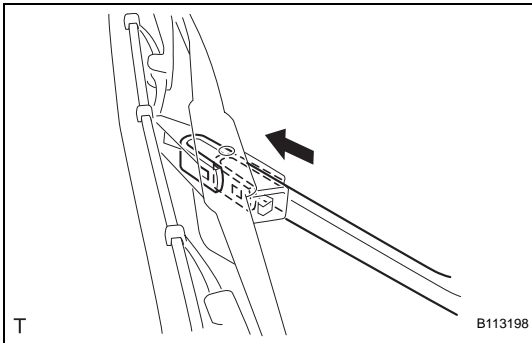
- (a) Detach the claw as shown in the illustration.



- (b) Remove the wiper blade as shown in the illustration.

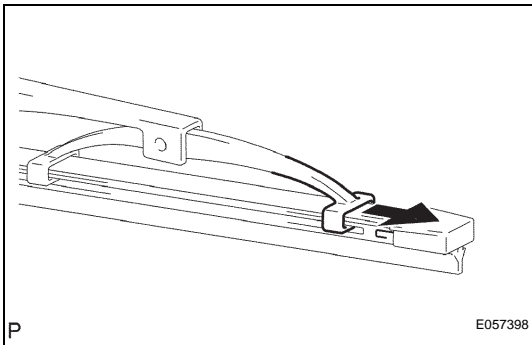
NOTICE:

Do not fold the wiper arm with the wiper blade removed. The arm tip may damage the windshield surface.



2. REMOVE WIPER RUBBER

- (a) Detach the head part (large side) of the wiper rubber from the wiper blade.

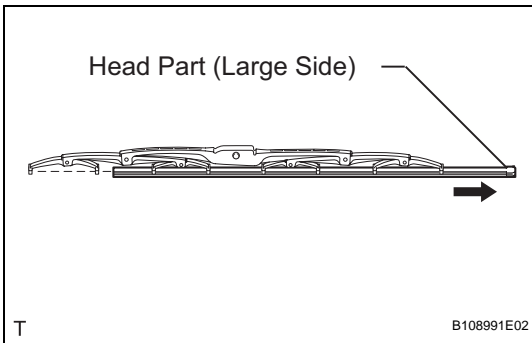


- (b) Remove the wiper rubber in the direction indicated by the arrow in the illustration.

NOTICE:

Do not pull out the wiper rubber forcibly. Doing so will deform the backing plate or damage the blade claw.

- (c) Remove the 2 wiper rubber backing plates from the wiper rubber.



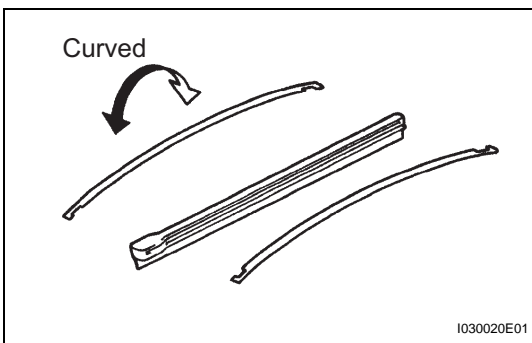
INSTALLATION

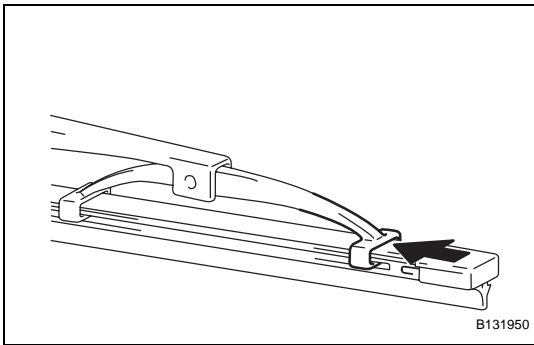
1. INSTALL WIPER RUBBER

- (a) Install the 2 packing plates to the rubber.

NOTICE:

Install the packing plates facing the proper direction.

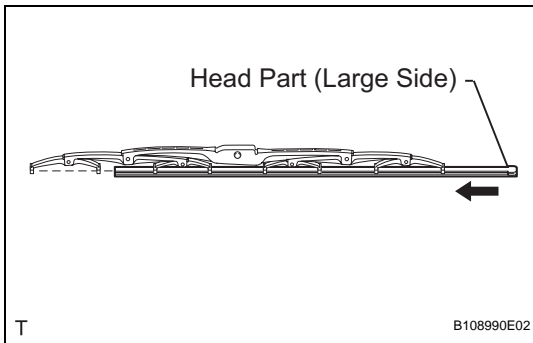




- (b) Install the wiper rubber to the claw of the wiper blade in the direction indicated by the arrow in the illustration.

HINT:

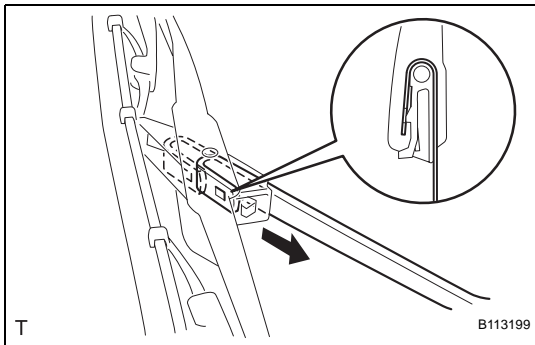
Install the wiper rubber so that the head part (large side) of the wiper rubber faces the arm axle side.



- (c) Attach the head part (large side) of the wiper rubber to the rear end side claw of the wiper blade.

NOTICE:

Push the wiper blade into the grooves of the wiper rubber to attach them completely.



2. INSTALL FRONT WIPER BLADE

- (a) Attach the claw to install the wiper blade.