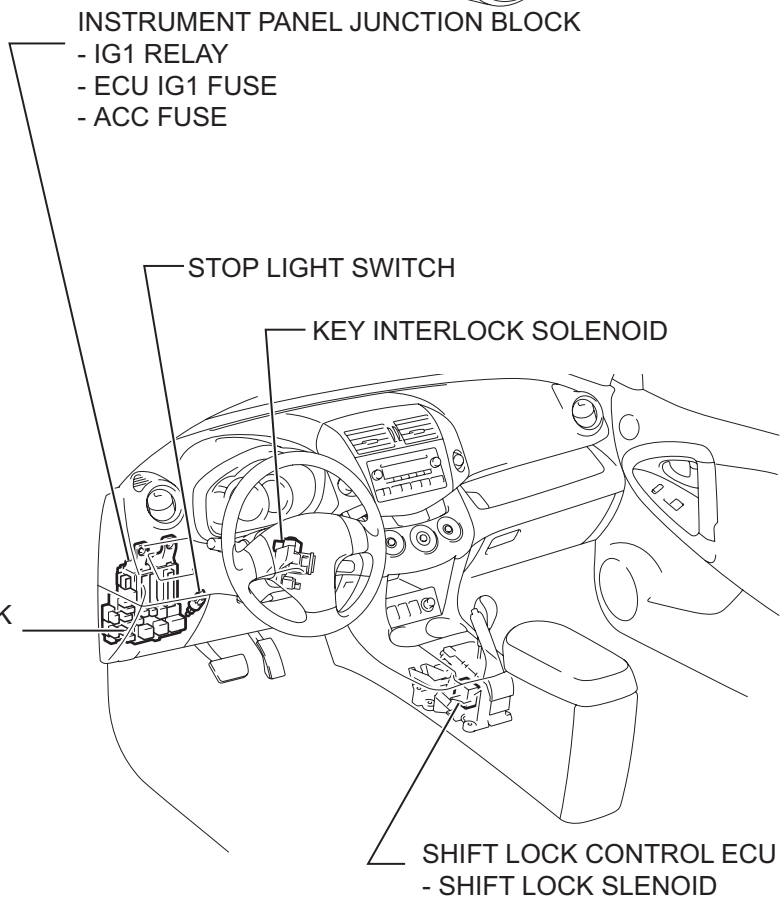
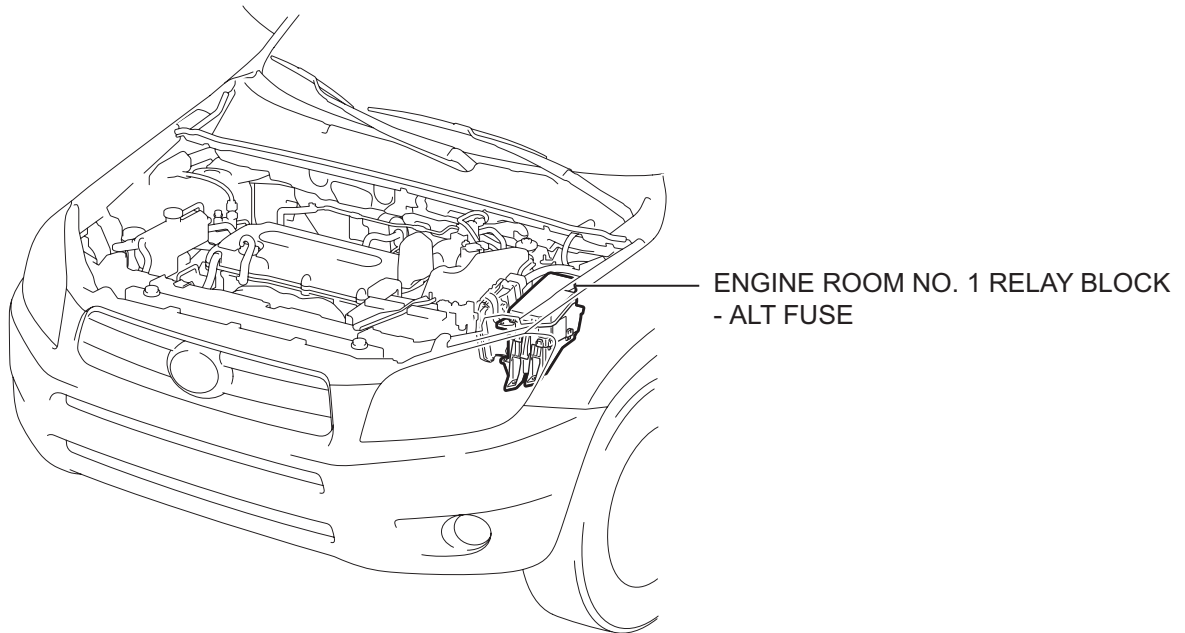


# SHIFT LOCK SYSTEM

## PARTS LOCATION

AX



# SYSTEM DIAGRAM

AX

