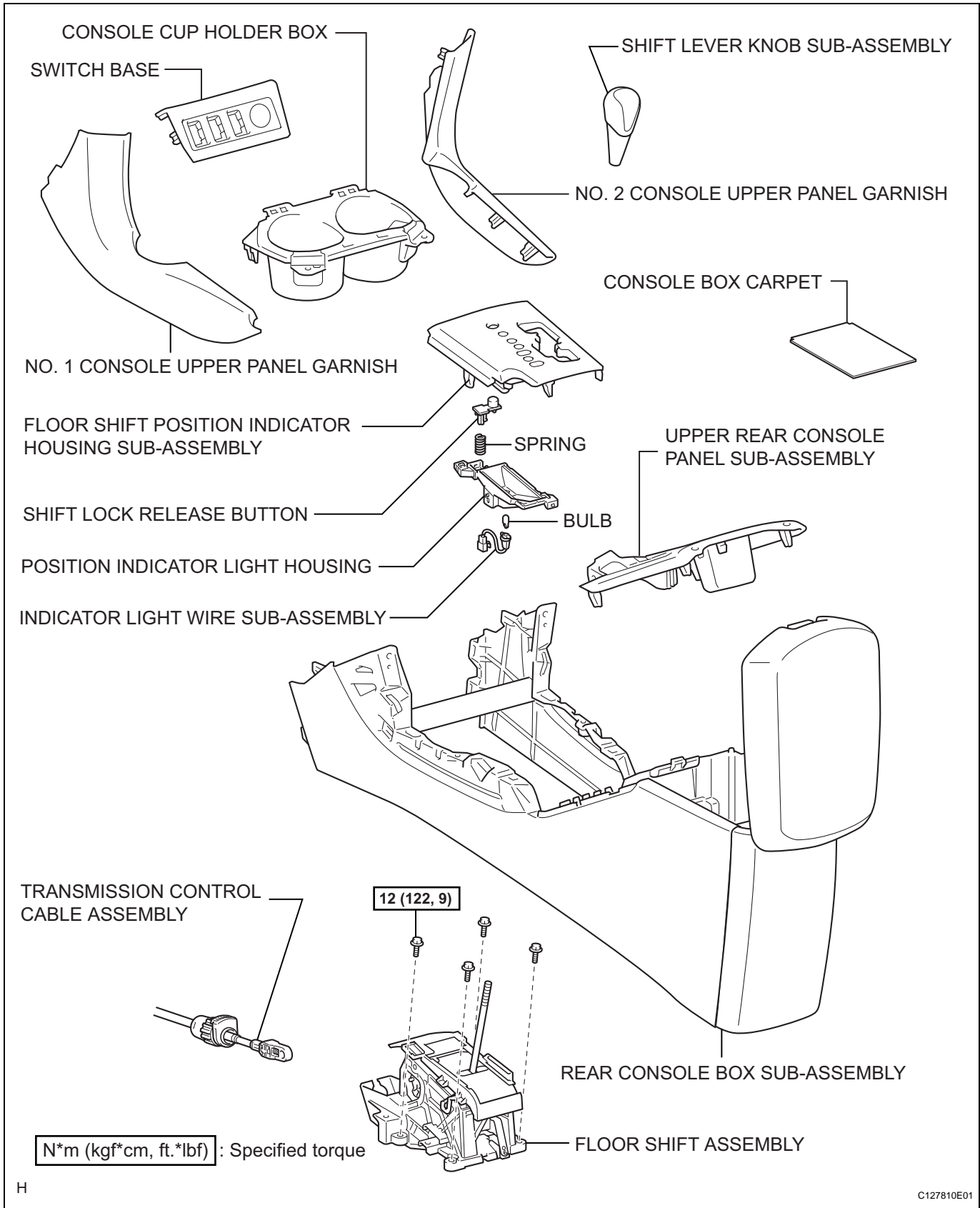


FLOOR SHIFT ASSEMBLY

COMPONENTS

AX



N*m (kgf*cm, ft.*lbf) : Specified torque

