

## ADJUSTMENT

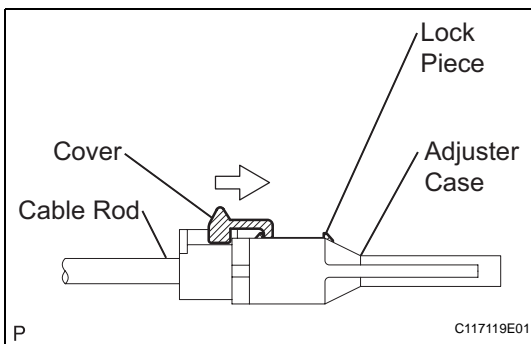
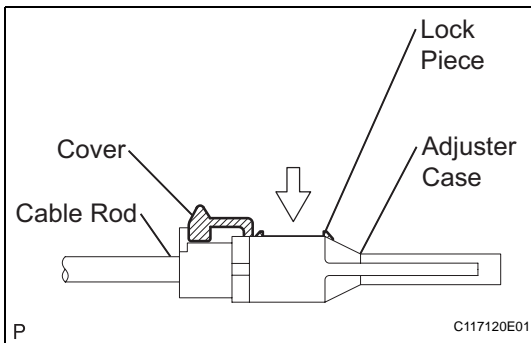
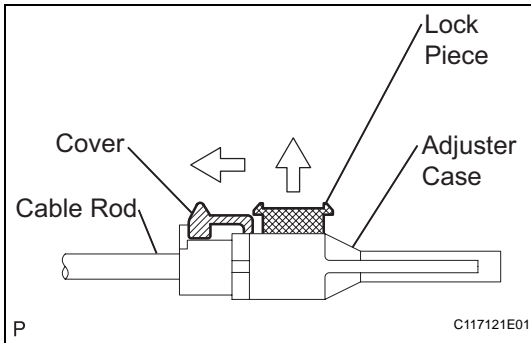
### 1. INSPECT SHIFT LEVER POSITION

- When shifting the lever from P to the R position with the ignition switch ON and the brake pedal depressed, make sure that the shift lever moves smoothly and moves correctly into position.
- Start the engine and make sure that the vehicle moves forward when shifting the lever from N to the D position and moves rearward when shifting the lever to the R position.

If the operation cannot be performed as specified, inspect the park/neutral position switch assembly and check the shift lever assembly installation condition.

### 2. ADJUST SHIFT LEVER POSITION

- Shift the shift lever to the N position
- Slide the adjuster case cover in the direction shown in the illustration and pull out the lock piece.
- Gently pull the cable rod toward the rear of the vehicle by hand to pull the cable taut.



- Press the lock piece into the adjuster case and lock it.

- Slide the cover in the direction shown in the illustration.

**NOTICE:**

**Slide the cover past the protrusion of the lock piece.**

- Inspect the operation after the adjustment.

**REASSEMBLY****1. INSTALL SHIFT LOCK RELEASE BUTTON**

- (a) Install the spring and button and attach the claws to the position indicator light housing.

**2. INSTALL INDICATOR LIGHT WIRE SUB-ASSEMBLY****3. INSTALL POSITION INDICATOR LIGHT HOUSING**

- (a) Install the indicator light housing and the 2 claws to the shift position indicator housing.

**4. INSTALL LOWER POSITION INDICATOR HOUSING**

- (a) Install the position indicator slide cover with slide cover No. 2 to the indicator housing.  
 (b) Install the housing and attach the 4 claws to the floor shift assembly.

