

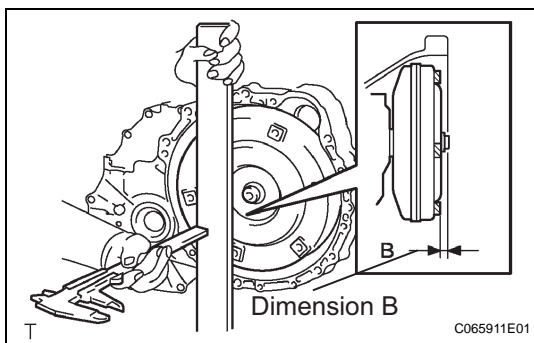
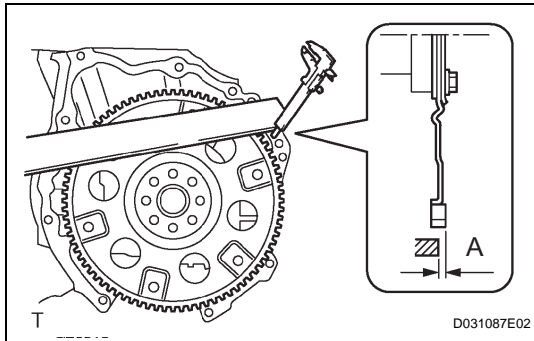
INSTALLATION

1. INSPECT TORQUE CONVERTER CLUTCH ASSEMBLY

- (a) Inspect the torque converter clutch (see page [AX-179](#)).

2. INSTALL TORQUE CONVERTER CLUTCH ASSEMBLY

- (a) Install the torque converter clutch to the automatic transaxle.
- (b) Using a vernier caliper, measure dimension A between the transaxle and end surface of the drive plate.



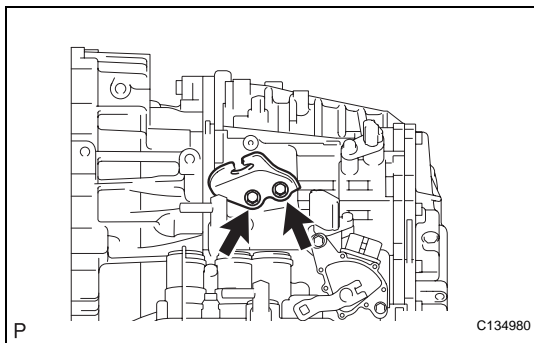
- (c) Using a vernier caliper and straightedge, measure dimension B shown in the illustration and check that B is greater than A.

Standard dimension:

A + 1.0 mm (0.039 in.) or more

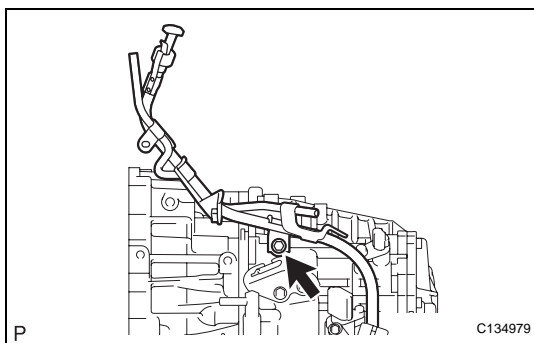
3. INSTALL AUTOMATIC TRANSMISSION CASE PROTECTOR

- (a) Install the protector with the 2 bolts.
Torque: 23 N*m (235 kgf*cm, 17 ft.*lbf)



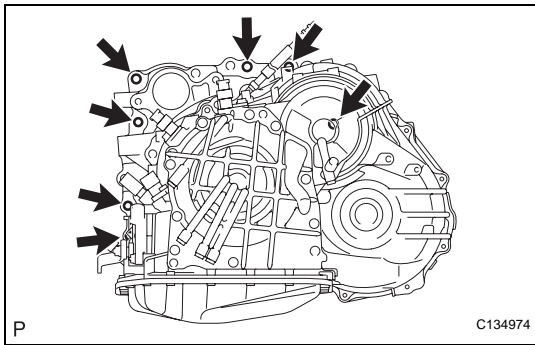
4. INSTALL NO. 1 TRANSMISSION CONTROL CABLE BRACKET

- (a) Install the cable bracket with the 2 bolts.
Torque: 12 N*m (122 kgf*cm, 9 ft.*lbf)



5. INSTALL TRANSMISSION OIL FILLER TUBE SUB-ASSEMBLY

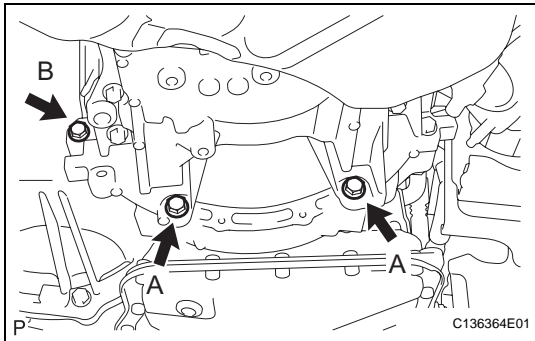
- (a) Install the filler tube with the bolt.
Torque: 5.5 N*m (56 kgf*cm, 49 in.*lbf)
- (b) Install the ATF dipstick.



6. INSTALL AUTOMATIC TRANSAXLE ASSEMBLY

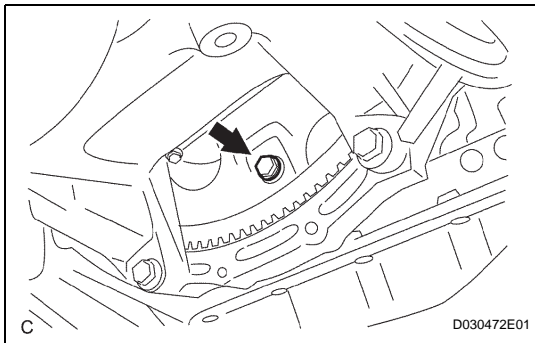
- (a) Install the automatic transaxle to the engine with the 7 upper side mounting bolts.

Torque: 64 N*m (653 kgf*cm, 47 ft.*lbf)



- (b) Install the 3 lower side mounting bolts.

Torque: 37 N*m (377 kgf*cm, 27 ft.*lbf) for bolt A
46 N*m (469 kgf*cm, 34 ft.*lbf) for bolt B

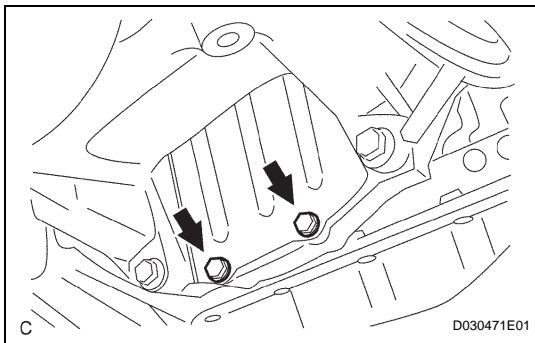


- (c) Install the 6 torque converter clutch mounting bolts.

Torque: 41 N*m (418 kgf*cm, 30 ft.*lbf)

HINT:

First install the green colored bolt and then the other 5 bolts.

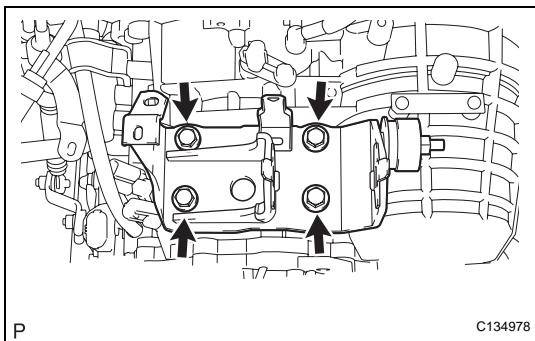


- (d) Install the flywheel housing under cover with the 2 bolts.

Torque: 7.8 N*m (80 kgf*cm, 69 in.*lbf)

7. INSTALL TRANSFER ASSEMBLY

- (a) Install the transfer (see page [TF-75](#)).

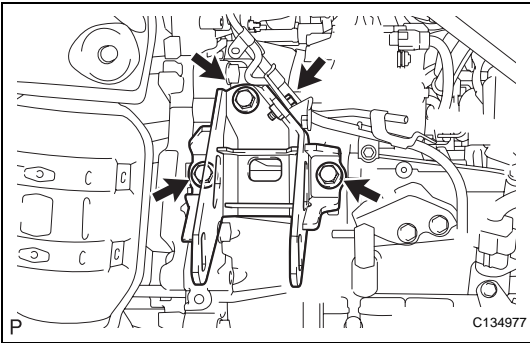


8. INSTALL ENGINE MOUNTING BRACKET LH

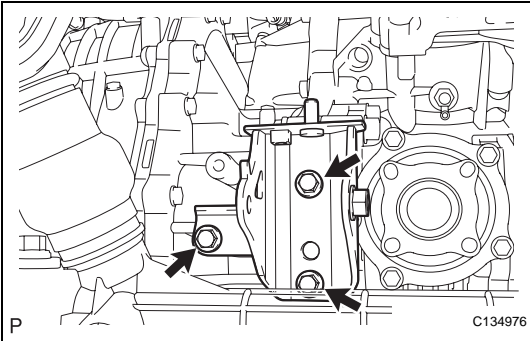
- (a) Install the mounting bracket with the 4 bolts.

Torque: 64 N*m (653 kgf*cm, 47 ft.*lbf)

AX

**9. INSTALL FRONT ENGINE MOUNTING BRACKET**

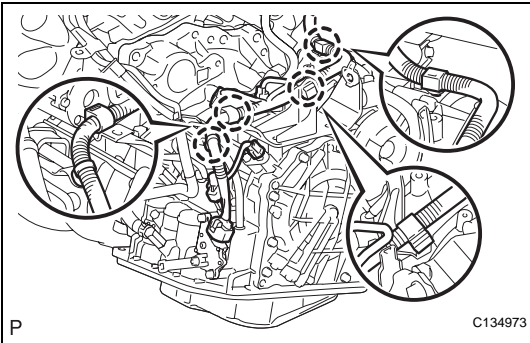
- (a) Install the mounting bracket with the 4 bolts.
Torque: 64 N*m (657 kgf*cm, 47 ft.*lbf)
Torque: 5.5 N*m (56 kgf*cm, 49 in.*lbf) for filler tube bolt

**10. INSTALL REAR ENGINE MOUNTING BRACKET**

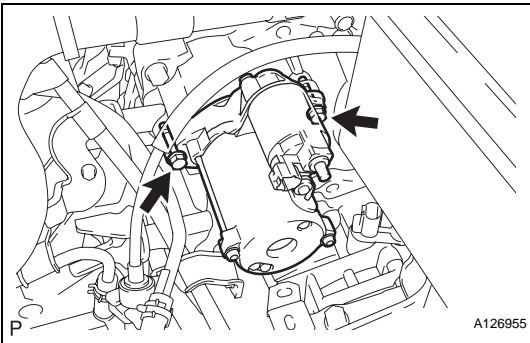
- (a) Install the mounting bracket with the 3 bolts.
Torque: 45 N*m (459 kgf*cm, 33 ft.*lbf)

11. INSTALL TRANSMISSION OIL COOLER HOSES AND TUBE

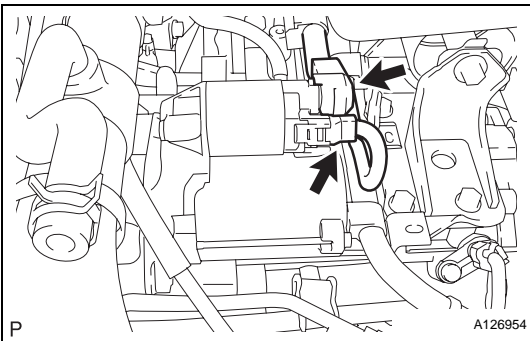
- (a) Install the transmission oil cooler hoses and tube (see page [AX-152](#)).

**12. CONNECT WIRE HARNESS**

- (a) Connect the wire harness clamps.
 (b) Connect the 2 speed sensor connectors.
 (c) Connect the transaxle wire connector.
 (d) Connect the park/neutral position switch connector.

**13. INSTALL STARTER ASSEMBLY**

- (a) Install the starter with the 2 bolts.
Torque: 37 N*m (377 kgf*cm, 27 ft.*lbf)
 (b) Connect the starter connector.



- (c) Install the terminal nut and cover the nut with the cap.
Torque: 9.8 N*m (100 kgf*cm, 88 in.*lbf)

14. INSTALL ENGINE ASSEMBLY WITH TRANSAXLE

- (a) Install the engine with transaxle (see page [EM-31](#)).

15. ADD AUTOMATIC TRANSAXLE FLUID

- Fluid type:**
Toyota Genuine ATF WS

16. INSPECT AUTOMATIC TRANSAXLE FLUID

- (a) Inspect the automatic transaxle fluid (see page [AX-126](#)).

17. PERFORM RESET MEMORY

- (a) Perform the RESET MEMORY procedures (A/T initialization) (see page [AX-20](#)).