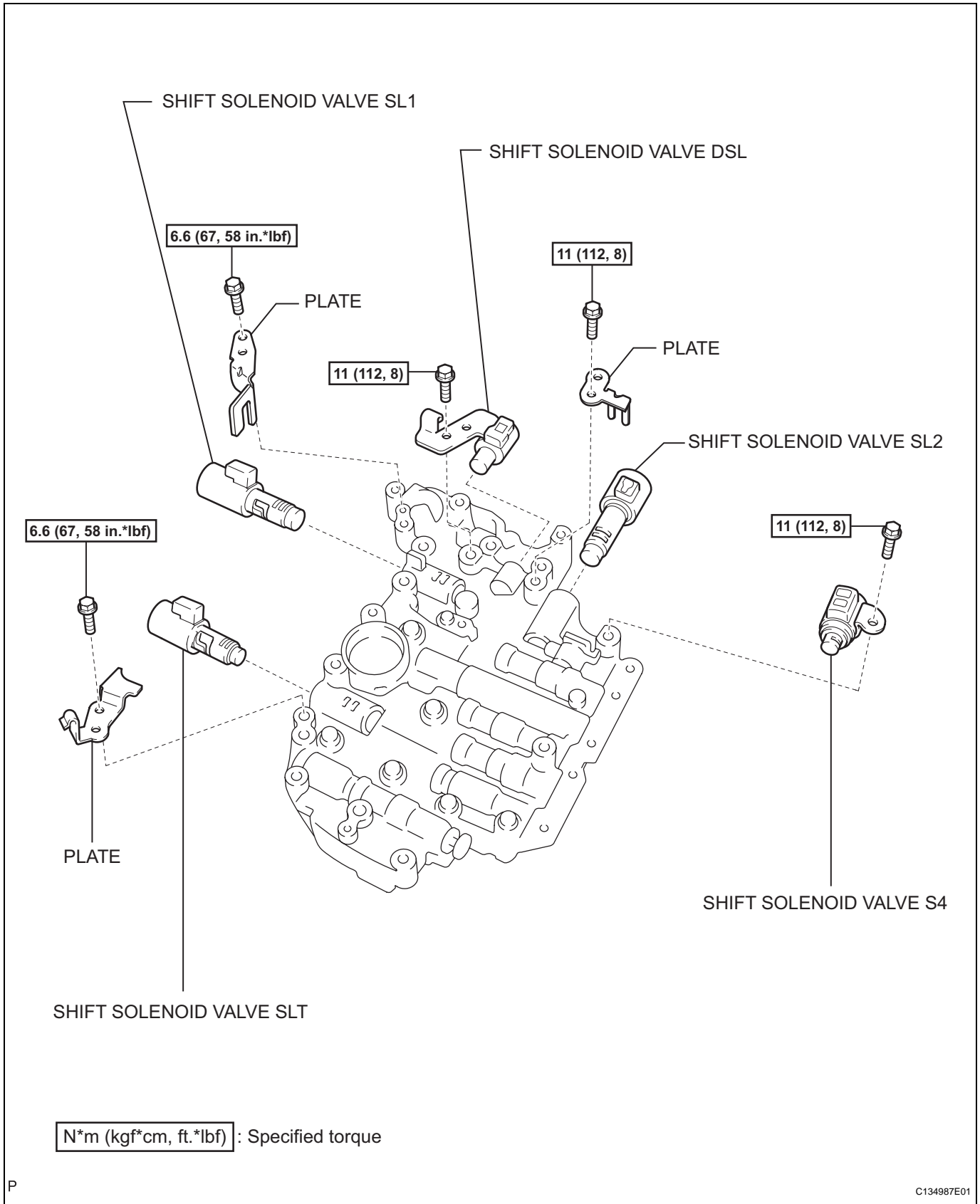
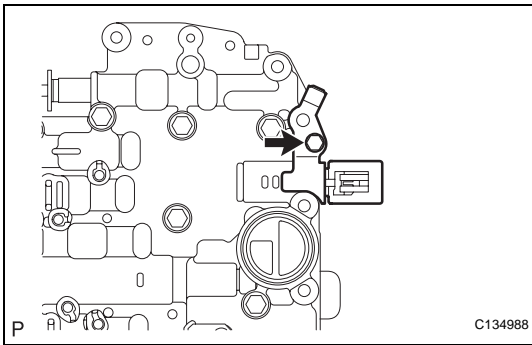
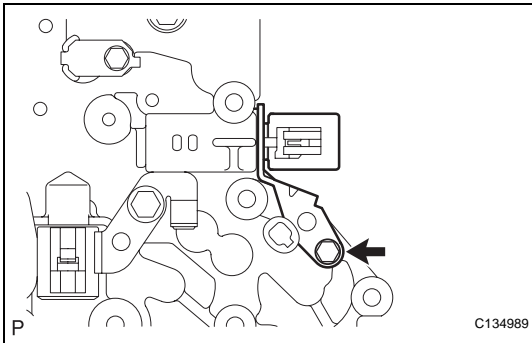


VALVE BODY COMPONENTS

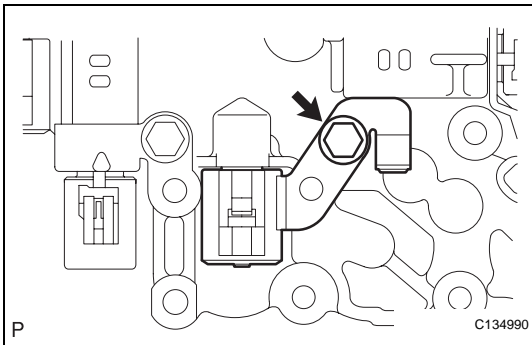


DISASSEMBLY**1. REMOVE SHIFT SOLENOID VALVE SLT**

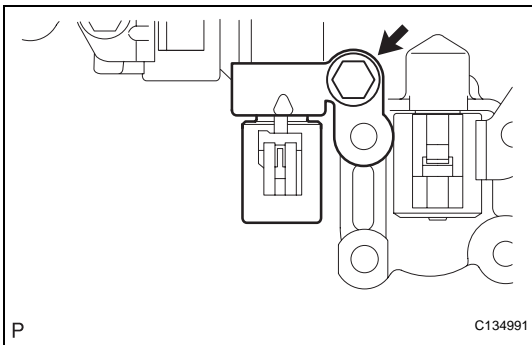
- (a) Remove the bolt, plate and shift solenoid valve SLT from the valve body.

**2. REMOVE SHIFT SOLENOID VALVE SL1**

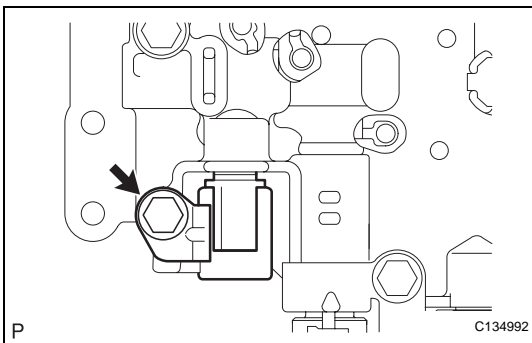
- (a) Remove the bolt, plate and shift solenoid valve SL1 from the valve body.

**3. REMOVE SHIFT SOLENOID VALVE DSL**

- (a) Remove the bolt and shift solenoid valve DSL from the valve body.

**4. REMOVE SHIFT SOLENOID VALVE SL2**

- (a) Remove the bolt, plate and shift solenoid valve SL2 from the valve body.

**5. REMOVE SHIFT SOLENOID VALVE S4**

- (a) Remove the bolt and shift solenoid valve S4 from the valve body.

6. REMOVE MANUAL VALVE

- (a) Remove the manual valve from the valve body.