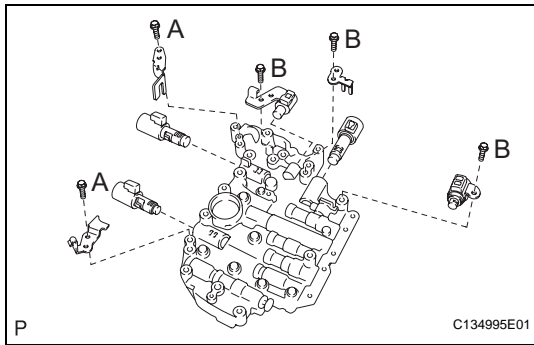


INSTALLATION



1. **INSTALL TRANSMISSION VALVE BODY ASSEMBLY**
 - (a) Install the 5 shift solenoid valves with the 5 bolts and 4 plates.

Torque: 6.6 N*m (67 kgf*cm, 58 in.*lbf) for bolt A
11 N*m (112 kgf*cm, 8 ft.*lbf) for bolt B

HINT:

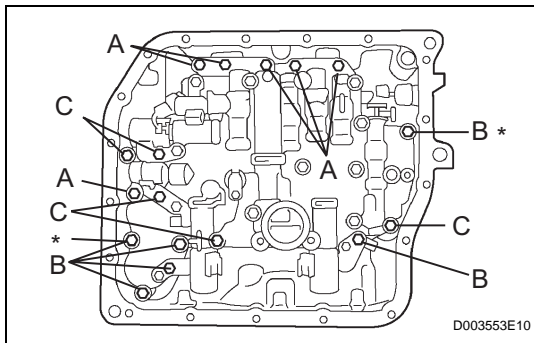
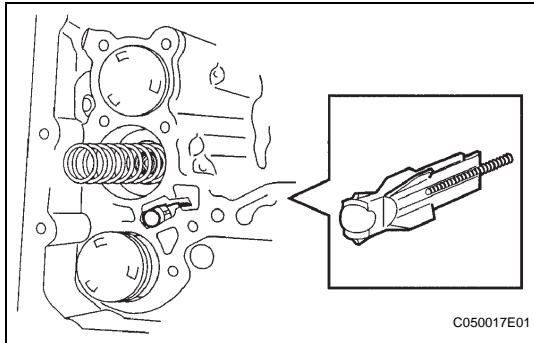
Each bolt length is indicated below.

Bolt length:

12 mm (0.47 in.) for Bolt A

45 mm (1.77 in.) for Bolt B

- (b) Install the spring and check ball body.



- (c) Align the groove of the manual valve with the pin of lever.

- (d) Install the 17 bolts.

Torque: 11 N*m (112 kgf*cm, 8 ft.*lbf)

NOTICE:

- Push the valve body against the accumulator piston spring and the check ball body to install it.
- Tighten the bolts marked by * in the illustration first temporarily because they are positioning bolts.

HINT:

Each bolt length is indicated below.

Bolt length:

25 mm (0.984 in.) for Bolt A

41 mm (1.614 in.) for Bolt B

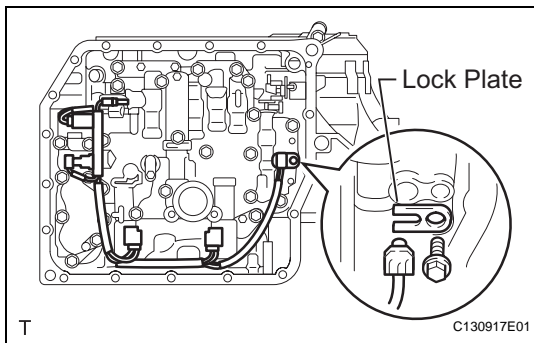
45 mm (1.771 in.) for Bolt C

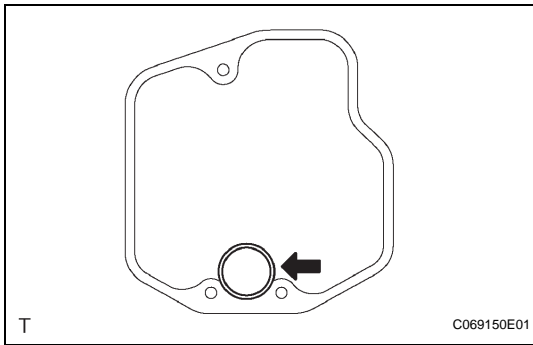
2. **INSTALL TRANSMISSION WIRE**

- (a) Coat the O-ring of the temperature sensor with ATF.
- (b) Install the ATF temperature sensor with the lock plate and bolt.

Torque: 6.6 N*m (67 kgf*cm, 58 in.*lbf)

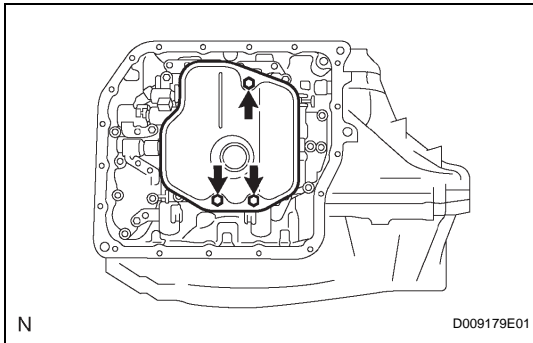
- (c) Connect the 5 shift solenoid valve connectors.



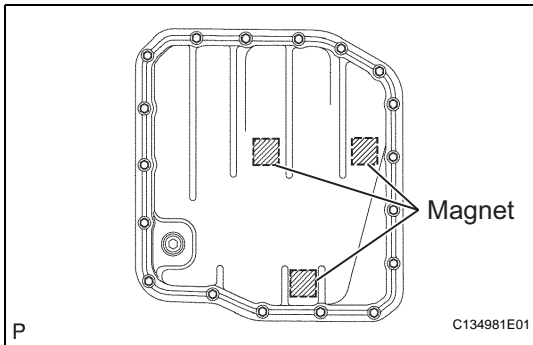


3. INSTALL VALVE BODY OIL STRAINER ASSEMBLY

- (a) Coat a new O-ring with ATF.
- (b) Install the O-ring to the oil strainer.

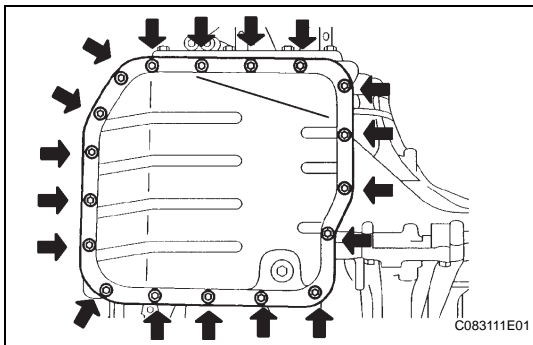


- (c) Install the oil strainer with the 3 bolts.
Torque: 11 N*m (112 kgf*cm, 8 ft.*lbf)



4. INSTALL AUTOMATIC TRANSAXLE OIL PAN SUB-ASSEMBLY

- (a) Install the 3 magnets in the oil pan.



- (b) Install a new gasket and oil pan with the 18 bolts.
Torque: 7.6 N*m (77 kgf*cm, 67 in.*lbf)

5. INSTALL NO. 1 ENGINE UNDER COVER

6. CONNECT CABLE TO NEGATIVE BATTERY TERMINAL

7. ADD AUTOMATIC TRANSAXLE FLUID

Fluid type:

Toyota Genuine ATF WS

8. INSPECT TRANSAXLE FLUID LEVEL

- (a) Inspect the fluid level (see page [AX-102](#)).

9. PERFORM RESET MEMORY

- (a) Perform the RESET MEMORY procedures (A/T initialization) (see page [AX-18](#)).