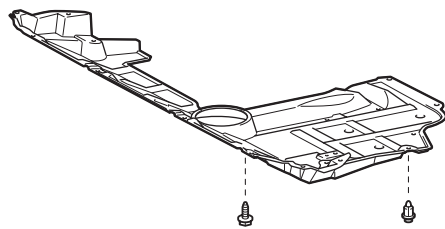
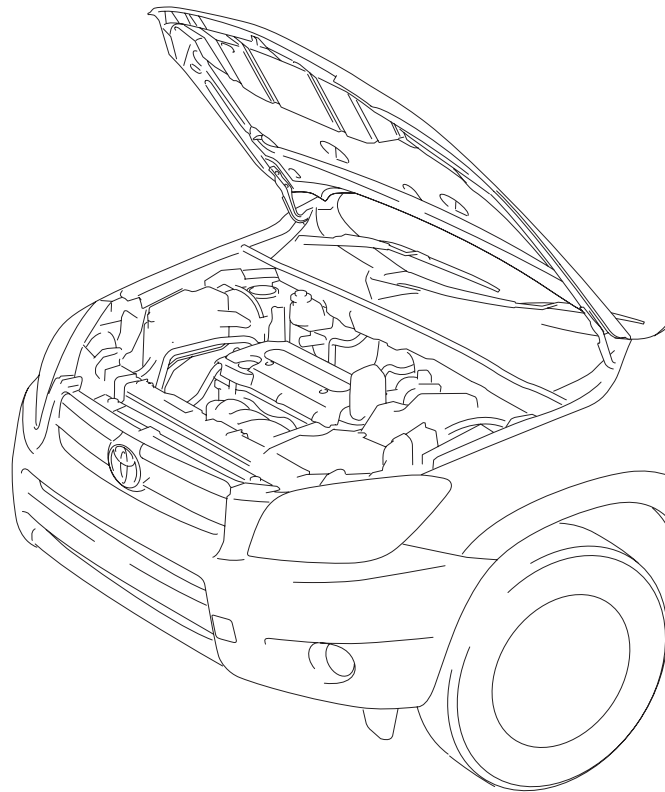
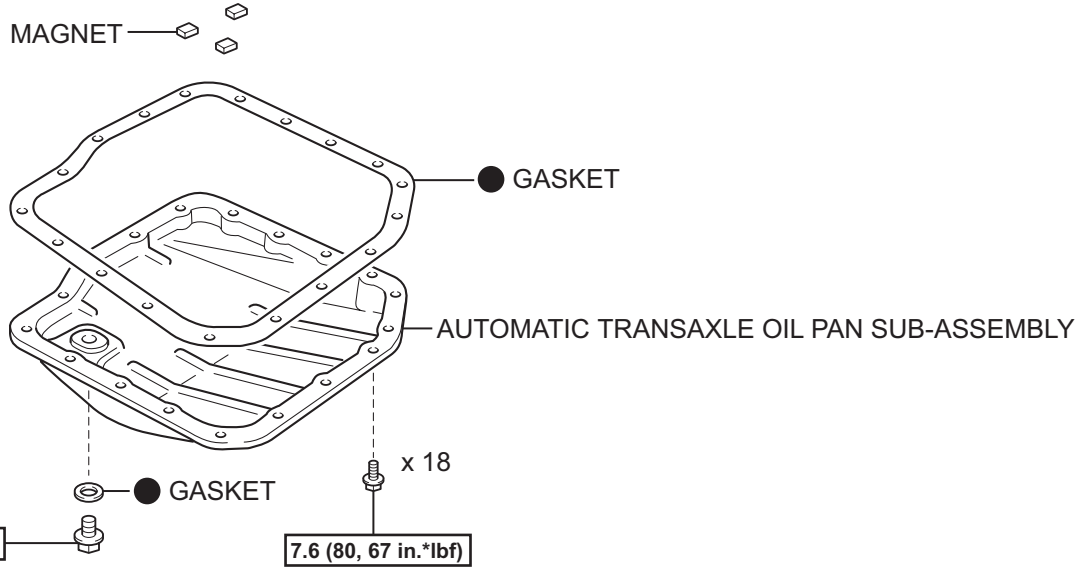
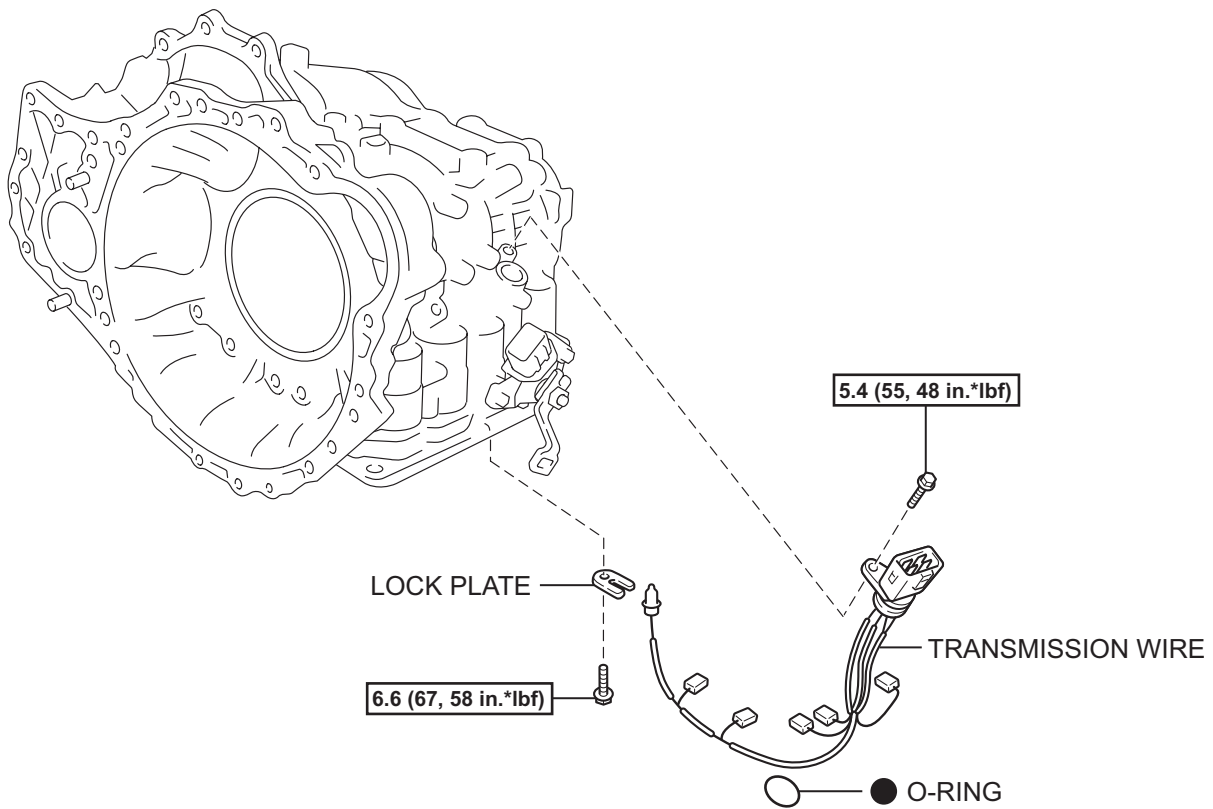


TRANSMISSION WIRE

COMPONENTS



NO. 1 ENGINE UNDER COVER



N*m (kgf*cm, ft.*lbf) : Specified torque

● Non-reusable part