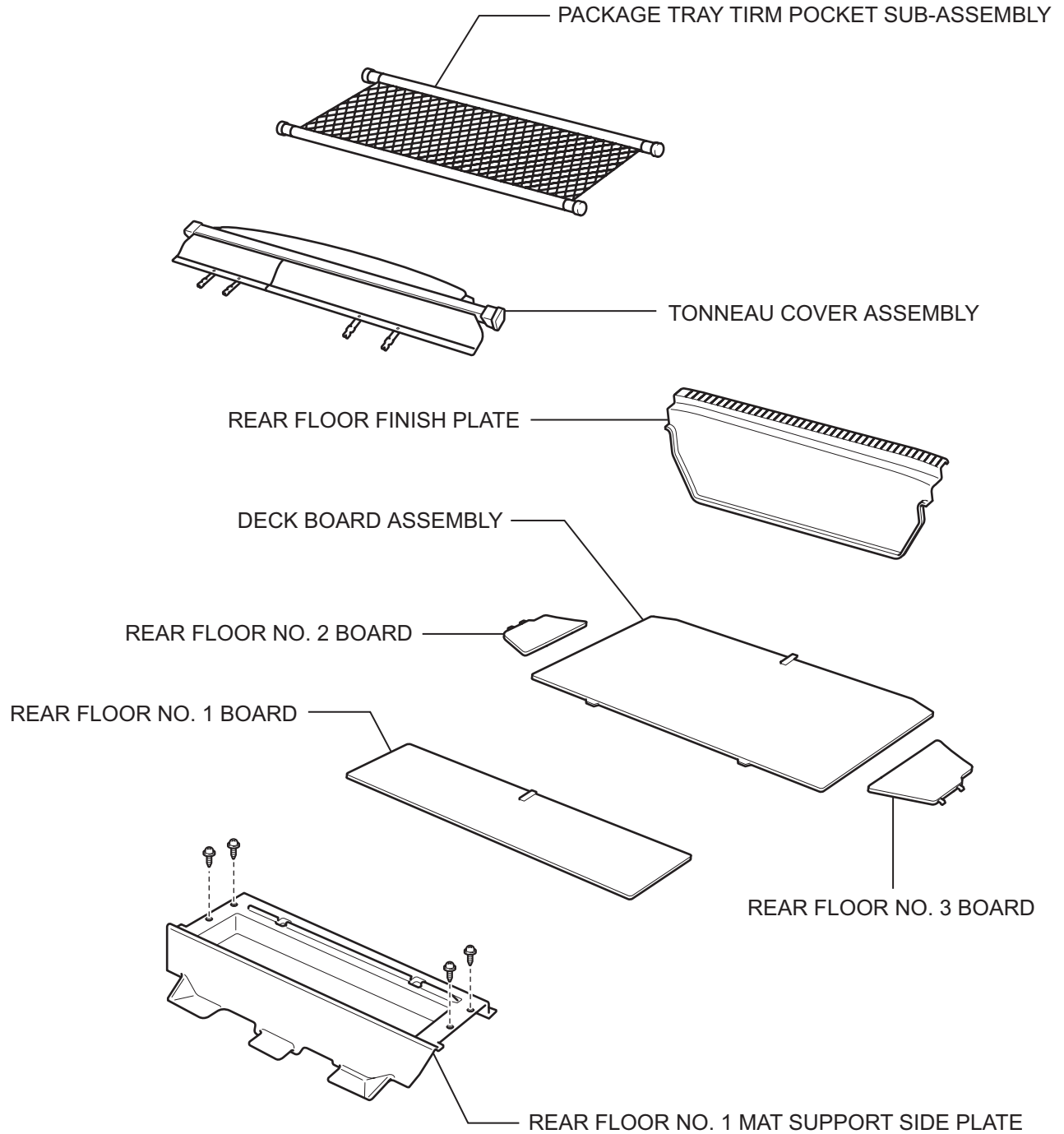


TIRE PRESSURE WARNING RECEIVER (w/ Antenna)

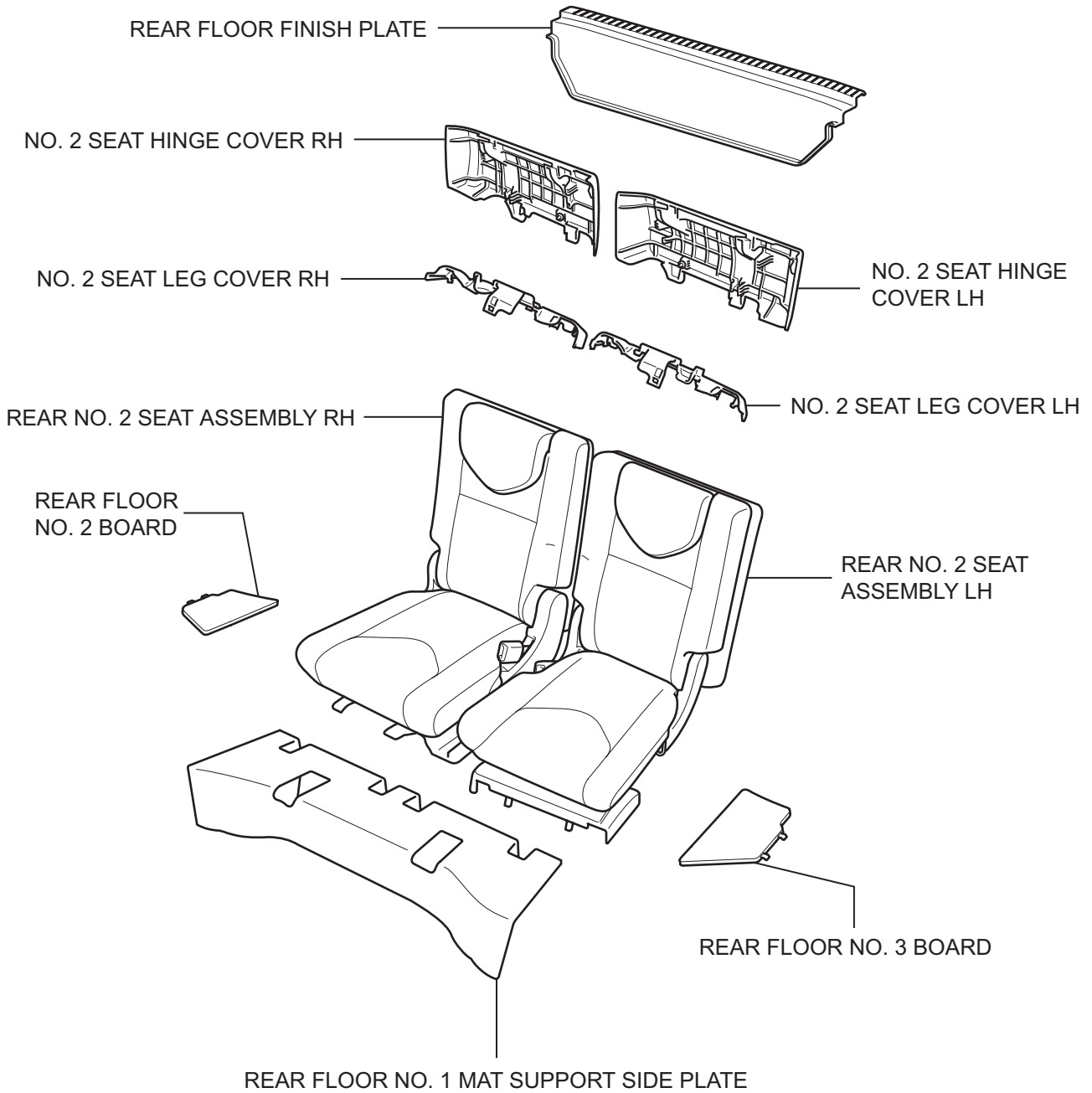
COMPONENTS

w/o Rear No. 2 Seat

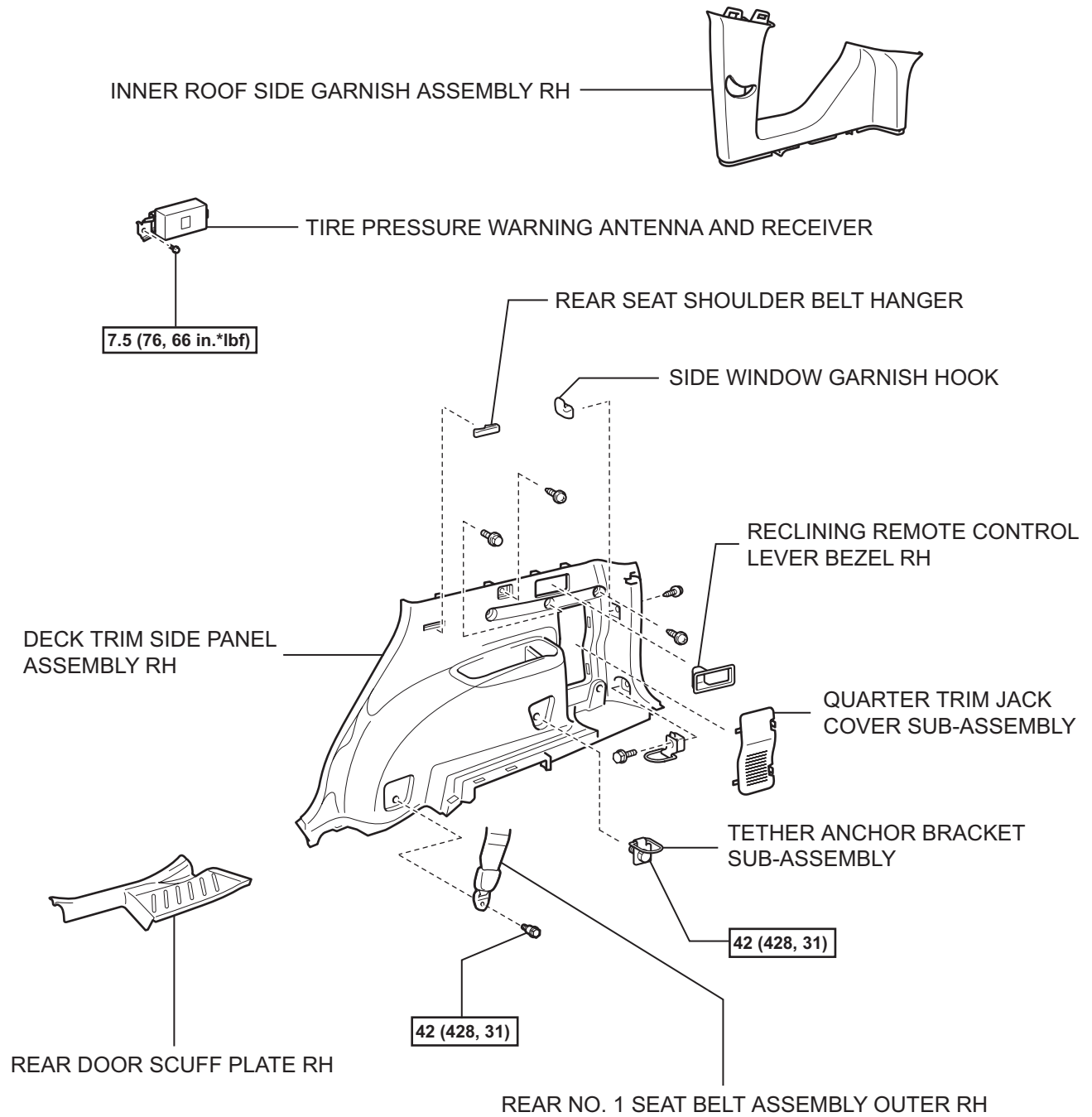


TW

w/ Rear No. 2 Seat



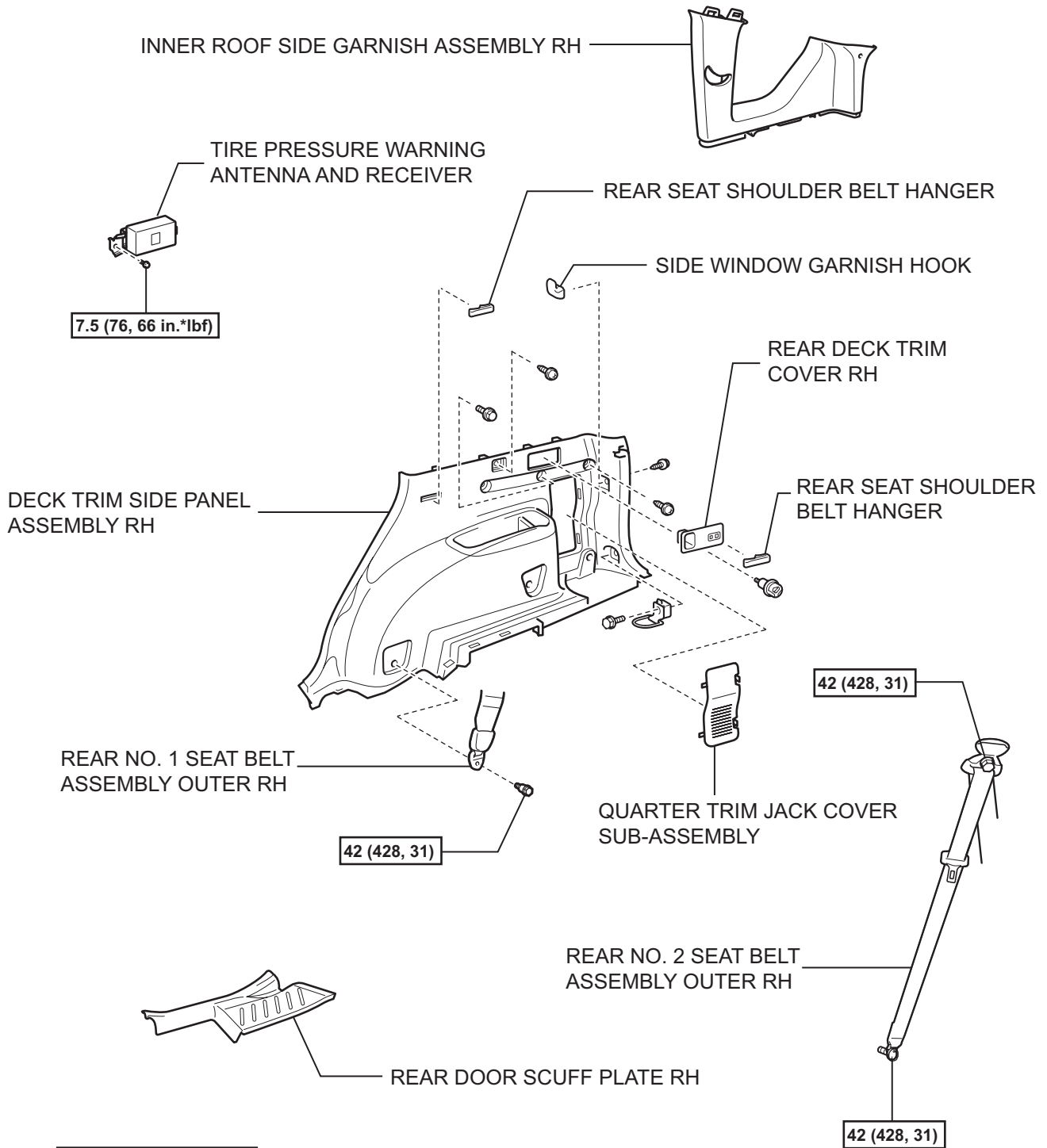
w/o Rear No. 2 Seat



TW

N*m (kgf*cm, ft.*lbf) : Specified torque

w/ Rear No. 2 Seat



N*m (kgf*cm, ft.*lbf) : Specified torque

TW