
INSPECTION

1. INSPECT SPIRAL CABLE SUB-ASSEMBLY

- (a) Check that there are no scratches or cracks on its connector, and/or that the cable does not have cracks, dents or chipping.

INSTALLATION

CAUTION:

Be sure to read the precautionary notices concerning the SRS airbag system before servicing it (see page [RS-1](#)).

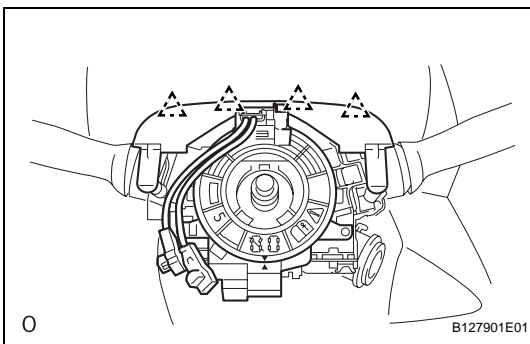
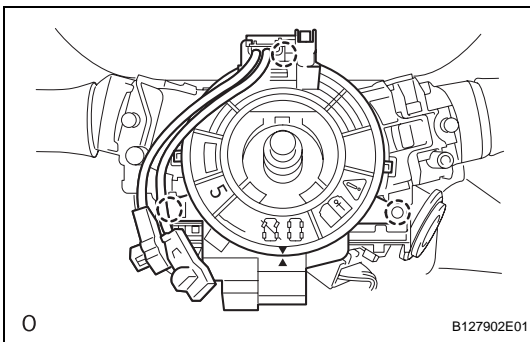
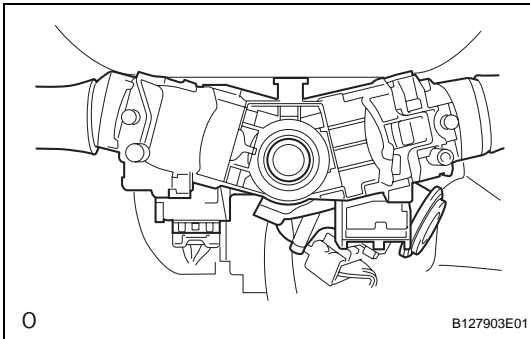
1. INSTALL SPIRAL CABLE SUB-ASSEMBLY

- (a) Check that the front wheels are facing straight ahead.
- (b) Set the turn signal switch to the neutral position.

NOTICE:

Make sure that the turn signal switch is in the neutral position, as the pin of the turn signal switch may be snapped.

- (c) Install the spiral cable.



NOTICE:

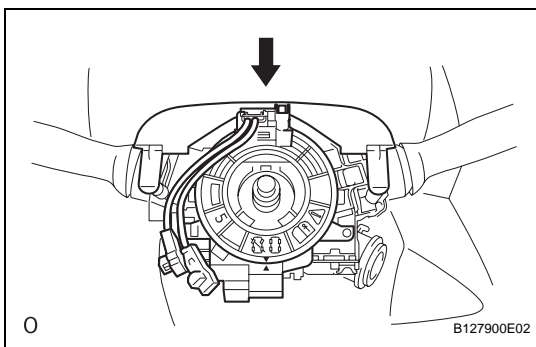
When replacing the spiral cable with a new one, remove the lock pin before installing the steering wheel.

- (d) Connect the connectors to the spiral cable.

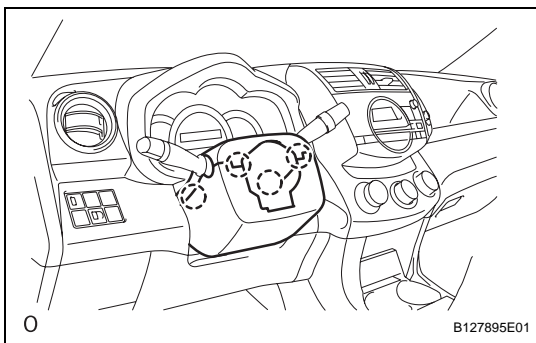
NOTICE:

When handling the airbag connector, do not damage the airbag wire harness.

- (e) Attach the 4 clips to the column cover (upper).

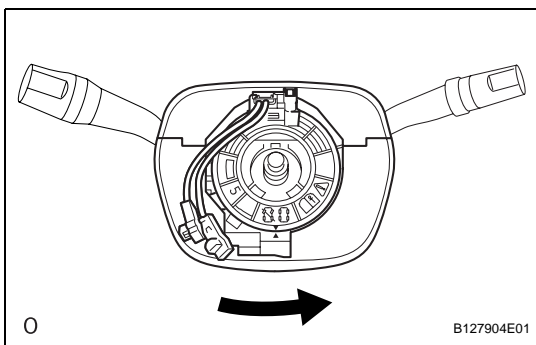


(f) Install the steering column cover (upper).



2. INSTALL STEERING COLUMN COVER (LOWER)

(a) Attach the 4 claws.

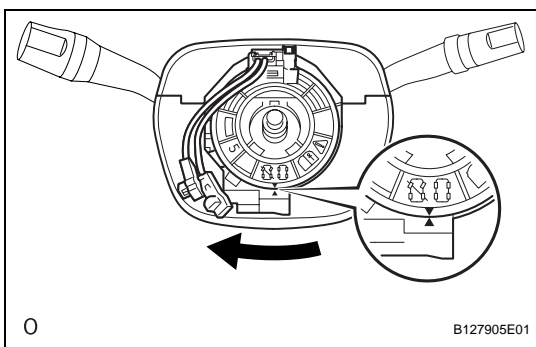


3. POSITION SPIRAL CABLE

(a) Slowly rotate the spiral cable counterclockwise by hand until it feels firm.

NOTICE:

Do not use the airbag wire harness to turn the spiral cable.



(b) Rotate the spiral cable clockwise approximately 2.5 turns to align the marks.

NOTICE:

Do not use the airbag wire harness to turn the spiral cable.

HINT:

The spiral cable will rotate approximately 2.5 turns to the left and right from the center.

4. INSTALL STEERING WHEEL ASSEMBLY (See page [SR-21](#))

5. INSTALL STEERING PAD ASSEMBLY (See page [RS-336](#))

6. CONNECT CABLE TO NEGATIVE BATTERY TERMINAL

7. INSPECT STEERING PAD ASSEMBLY (See page [RS-337](#))

8. CHECK SRS WARNING LIGHT

(a) Check the SRS warning light (see page [RS-34](#)).

9. INSPECT STEERING WHEEL POSITION