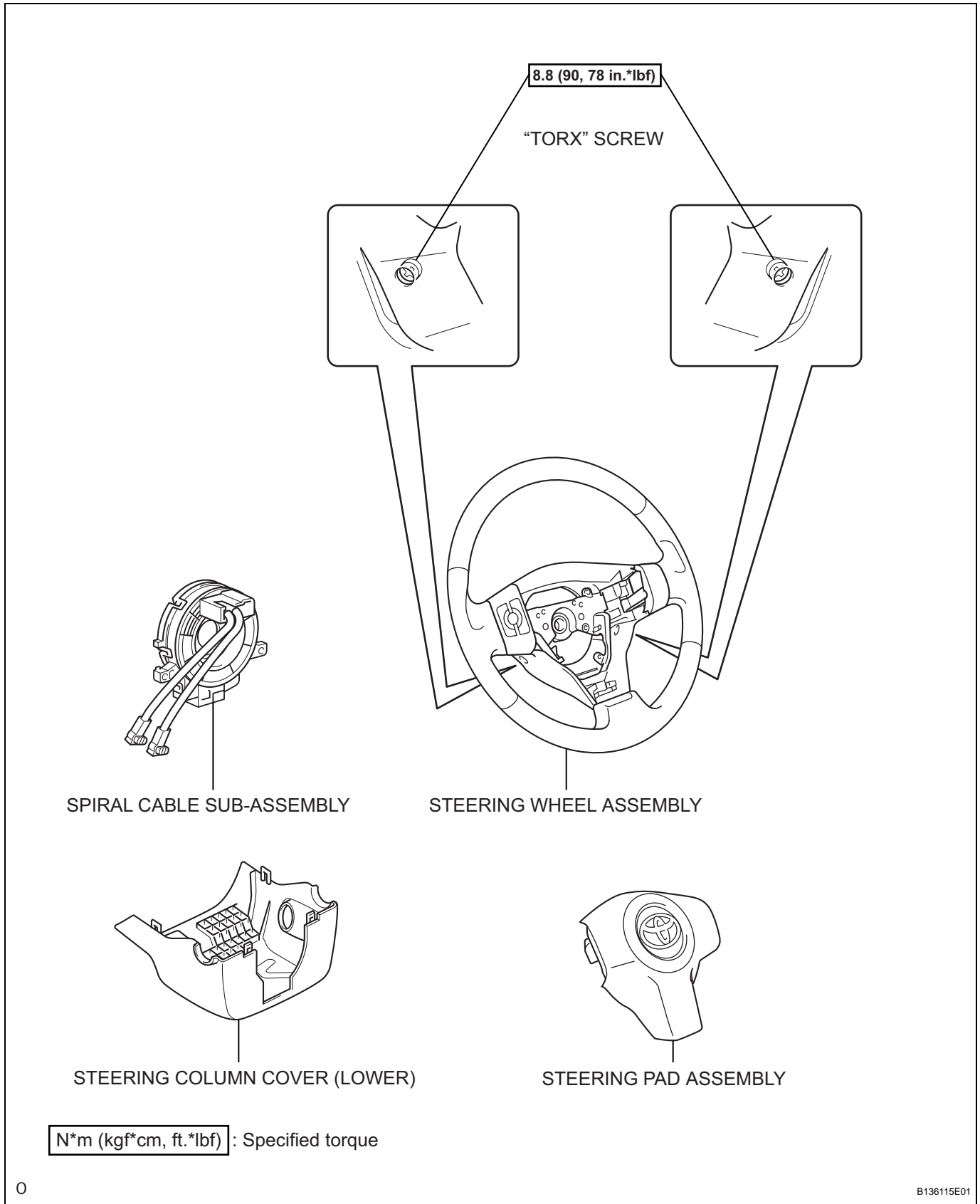


# SPIRAL CABLE

## COMPONENTS



RS

## REMOVAL

### CAUTION:

Be sure to read the precautionary notices concerning the SRS airbag system before servicing it (see page [RS-1](#)).

1. DISCONNECT CABLE FROM NEGATIVE BATTERY TERMINAL

### CAUTION:

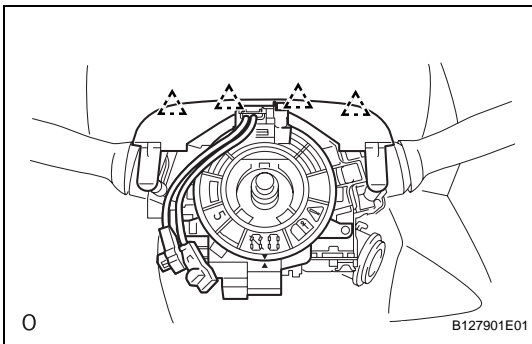
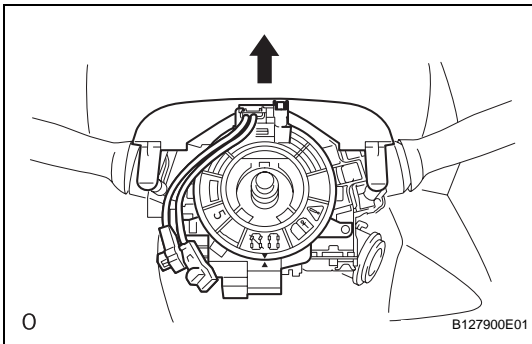
Wait at least 90 seconds after disconnecting the cable from the negative (-) battery terminal to prevent airbag and seat belt pretensioner activation.

2. REMOVE STEERING PAD ASSEMBLY (See page [RS-336](#))
3. PLACE FRONT WHEELS FACING STRAIGHT AHEAD
4. REMOVE STEERING WHEEL ASSEMBLY (See page [SR-12](#))
5. REMOVE STEERING COLUMN COVER (LOWER) (See page [SR-12](#))
6. REMOVE SPIRAL CABLE SUB-ASSEMBLY

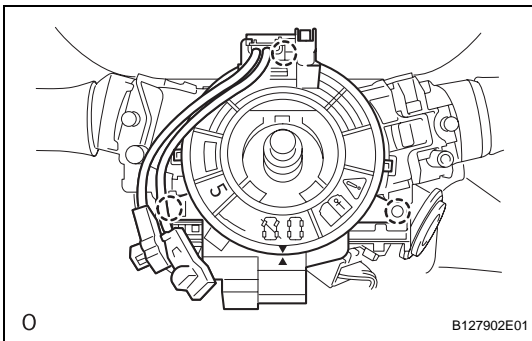
- (a) Rise the steering column cover (upper).

### NOTICE:

When handling the airbag connector, do not damage the airbag wire harness.



- (b) Detach the 4 clips and remove the column cover (upper).



- (c) Detach the 3 claws and remove the spiral cable.